

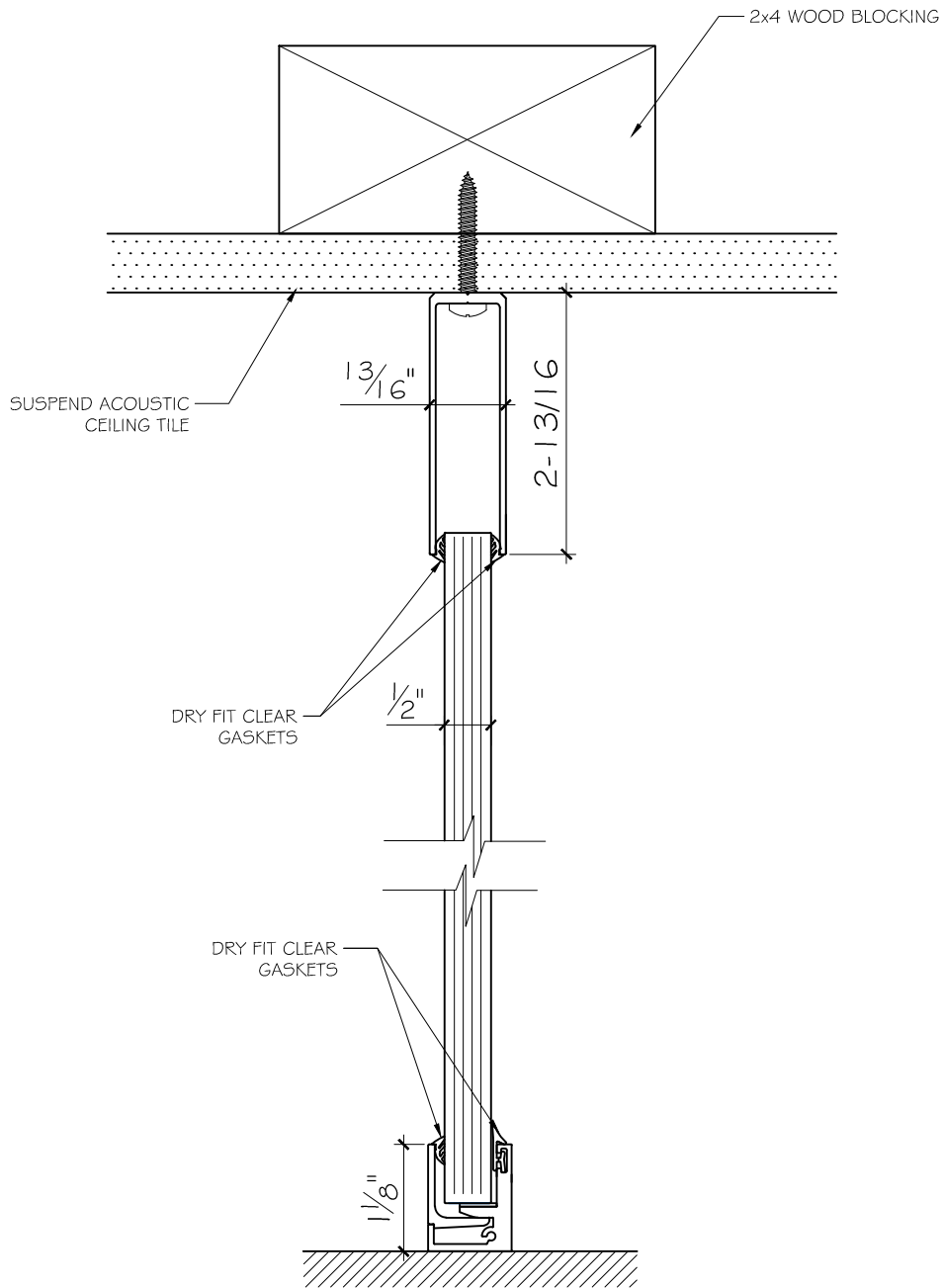
1 FRAMELEES SLIDING DOOR
1 SECTION



SCALE:
NTS
DATE:
6-21-2013
DRAWING NAME:
C-FSD-S

CLARITY
FRAMELEES SLIDING DOOR

DRAWING NO.
1



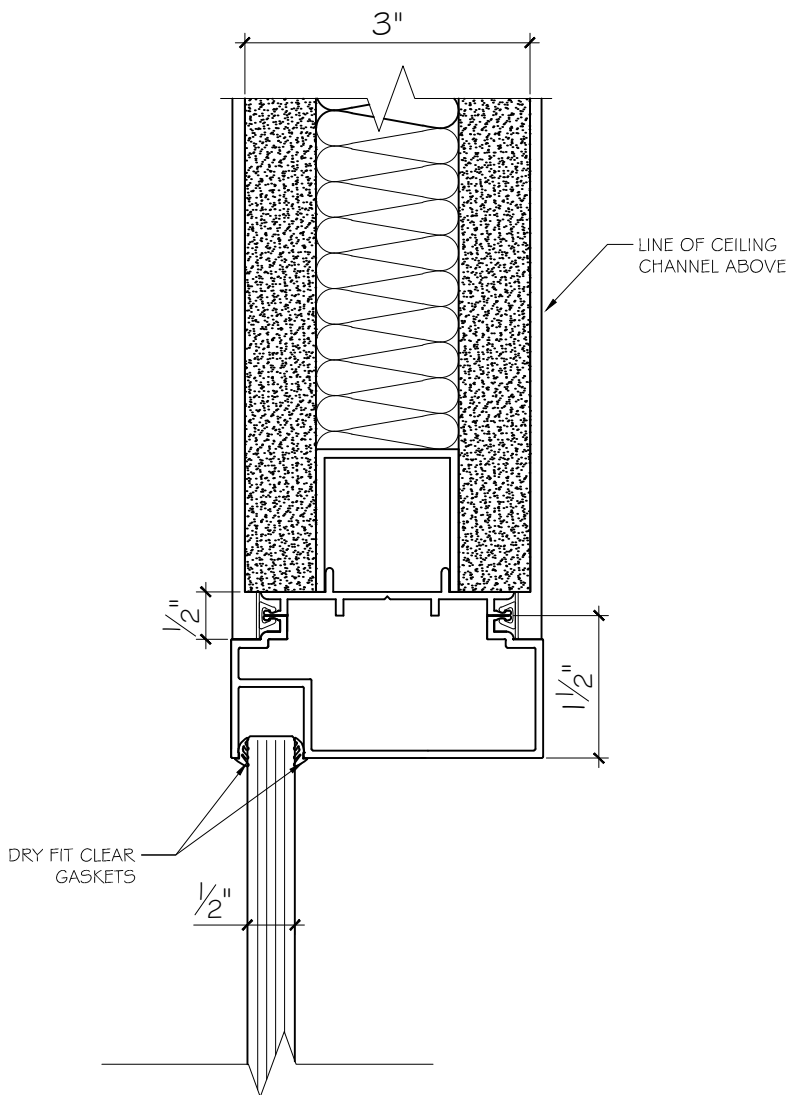
1 BUTT GLASS WALL
2 SECTION



SCALE:
NTS
DATE:
6-21-2013
DRAWING NAME:
C-BGW-S

CLARITY
BUTT GLASS WALL

DRAWING NO.
2



1
3 CORNER TRANSITION TO SOLID PANEL SECTION



SCALE:
NTS

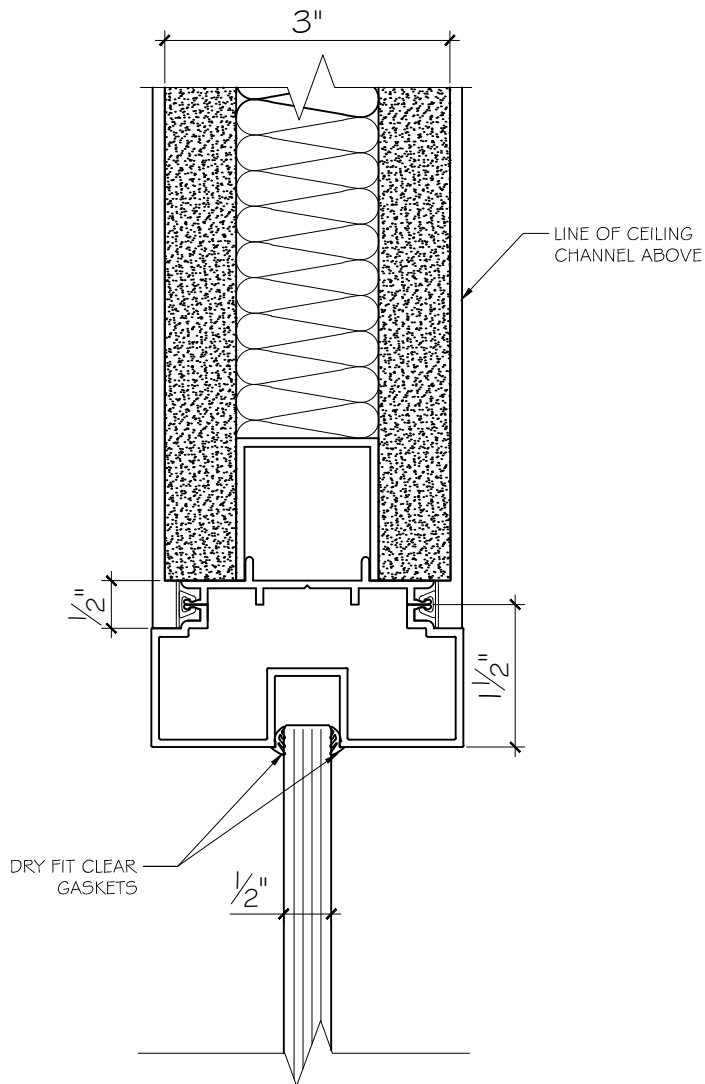
DATE:
6-21-2013

DRAWING NAME:
C-CT-S

CLARITY

CORNER TRANSITION TO SOLID PANEL

DRAWING NO.
3



1 TEE-TRANSITION TO SOLID PANEL
4 SECTION



SCALE:

NTS

DATE:

6-21-2013

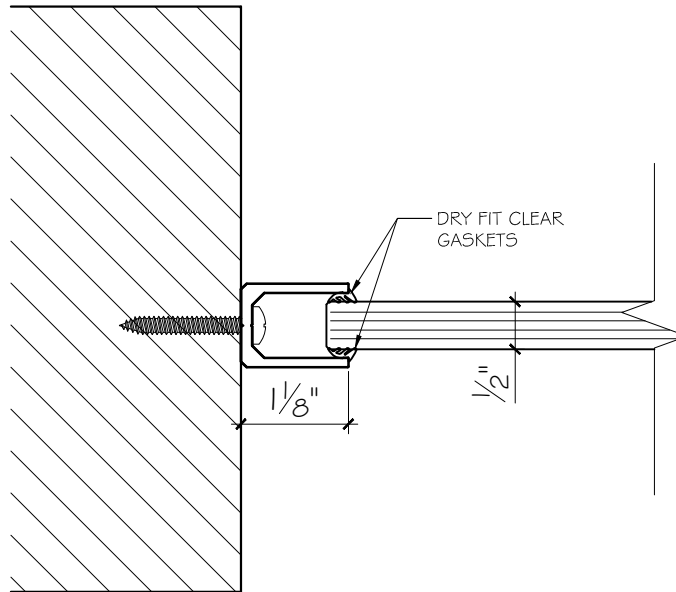
DRAWING NAME:

C-TT-S

CLARITY
TEE-TRANSITION TO SOLID PANEL

DRAWING NO.

4



1
5

 DRYWALL CONNECTION
 SECTION

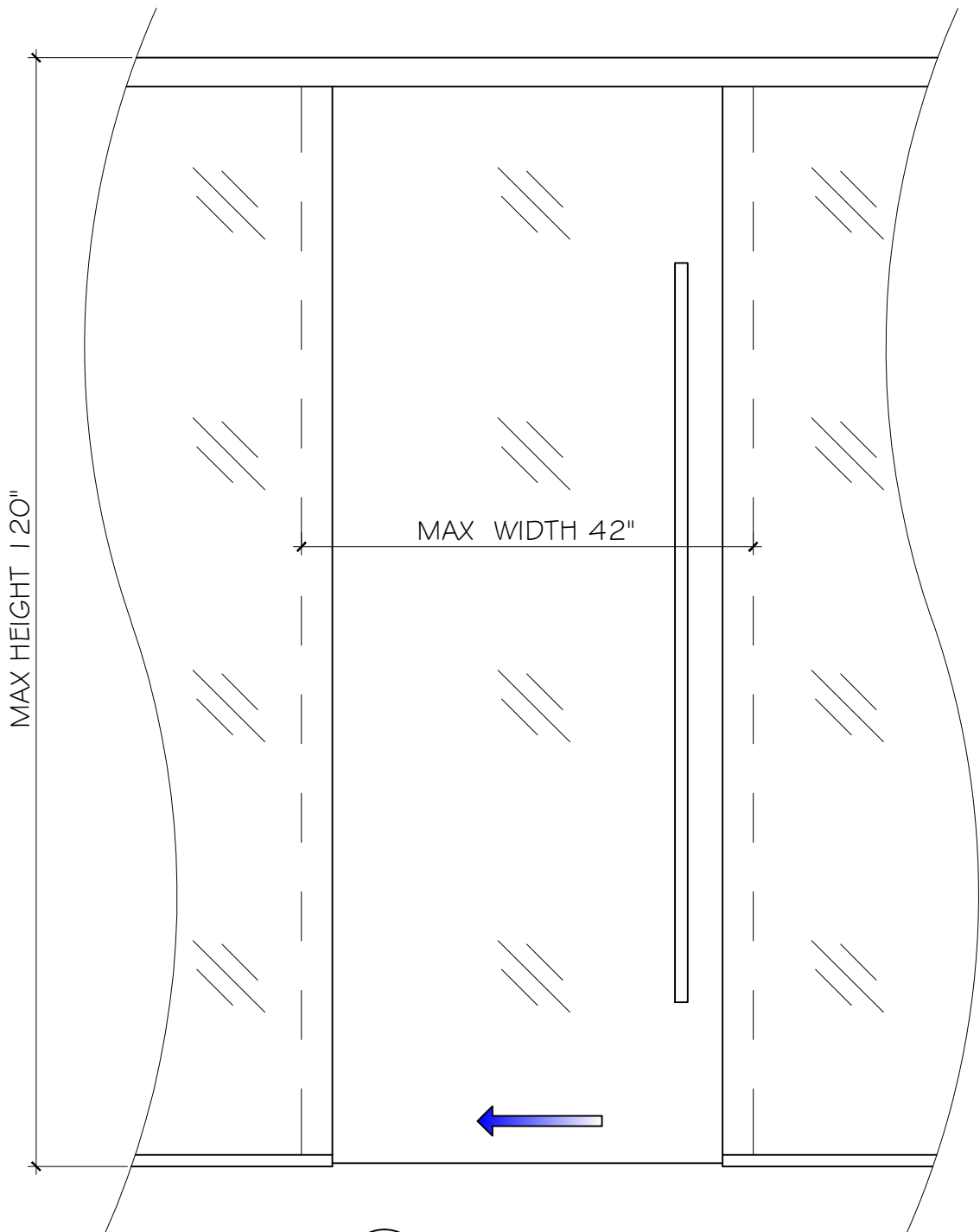


SCALE:
 NTS
 DATE:
 6-21-2013
 DRAWING NAME:
 C-DWC-S

CLARITY
 DRYWALL CONNECTION

DRAWING NO.

5



1
6

FRAMELEES SLIDING DOOR
ELEVATION



SCALE:
NTS

DATE:
6-21-2013

DRAWING NAME:
C-FSD-E

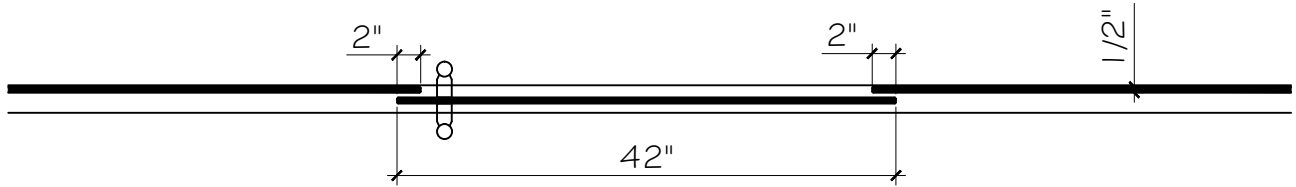
CLARITY

FRAMELEES SLIDING DOOR

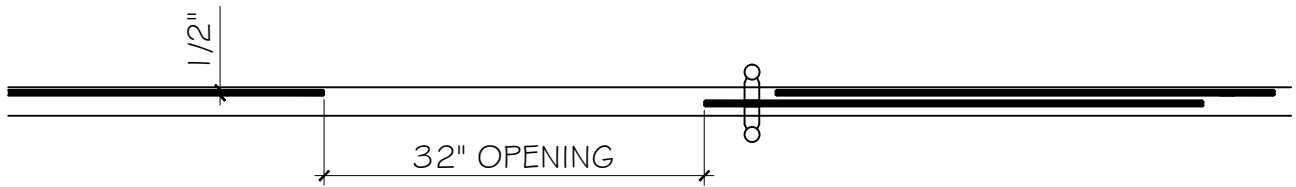
DRAWING NO.

6

CLOSED



OPEN



1
7

FRAMELESS SLIDING DOOR
DETAIL



SCALE:

NTS

DATE:

6-21-2013

DRAWING NAME:

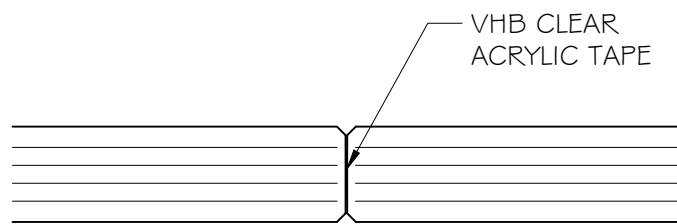
C-FSD-D

CLARITY

FRAMELESS SLIDING DOOR

DRAWING NO.

7



1 BUTT JOINT
8 DETAIL



SCALE:

NTS

DATE:

6-21-2013

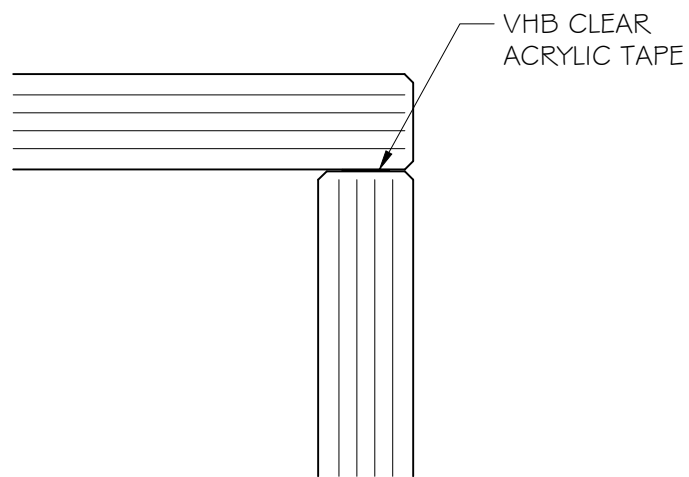
DRAWING NAME:

C-BT-D

CLARITY
BUTT JOINT

DRAWING NO.

8



1 CORNER JOINT
9 DETAIL



SCALE:

NTS

DATE:

6-21-2013

DRAWING NAME:

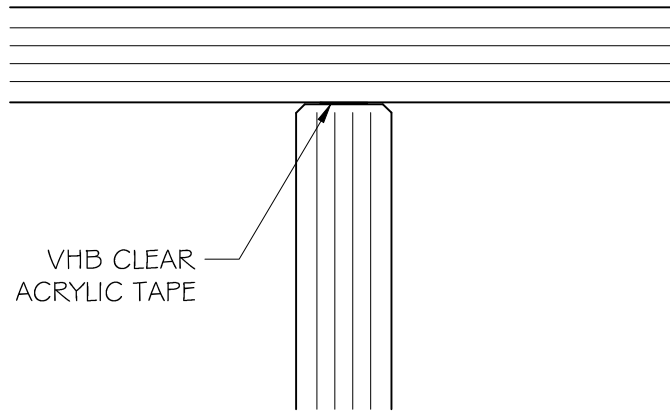
C-CJ-D

CLARITY
CORNER JOINT

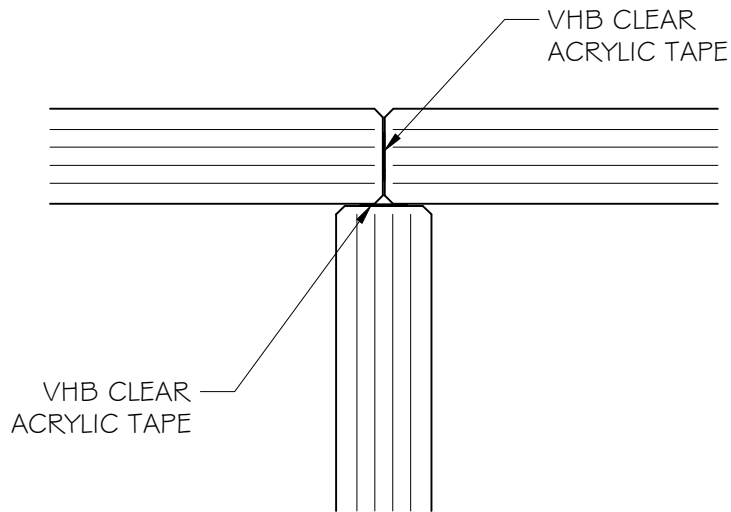
DRAWING NO.

9

OPTION-1



OPTION-2



1 TEE JOINT OPTION 1 & 2
10 DETAIL



SCALE:

NTS

DATE:

6-21-2013

DRAWING NAME:

C-TJ-D

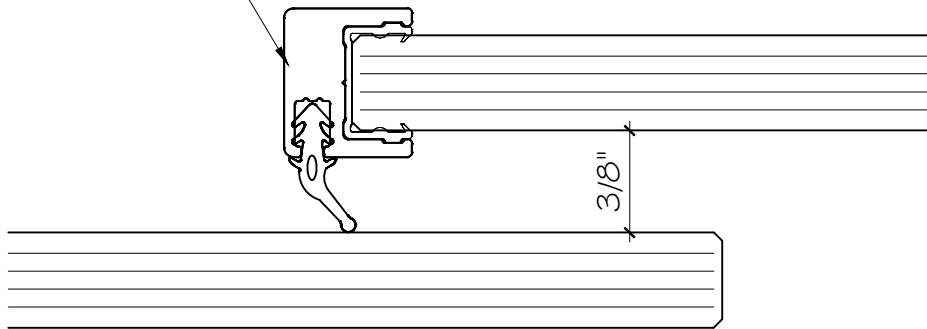
CLARITY

TEE JOINT OPTION 1 & 2

DRAWING NO.

10

ANODIZED VERTICAL
SEALING PROFILE



1
11

VERTICAL SEALING PROFILE
DETAIL



SCALE:

NTS

DATE:

6-21-2013

DRAWING NAME:

C-VSP-D

CLARITY
VERTICAL SEALING PROFILE

DRAWING NO.

11