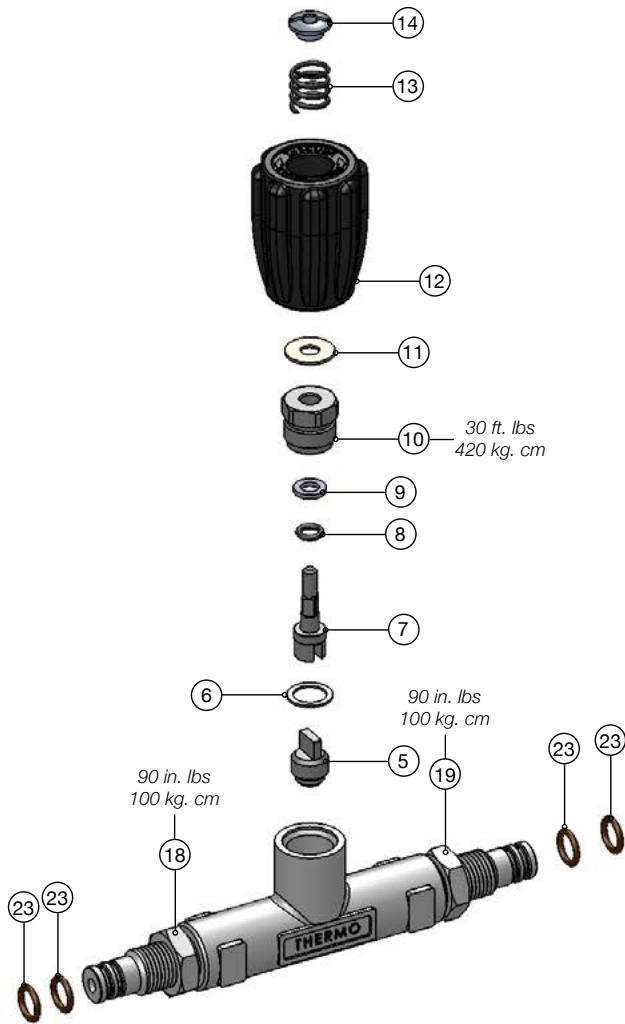
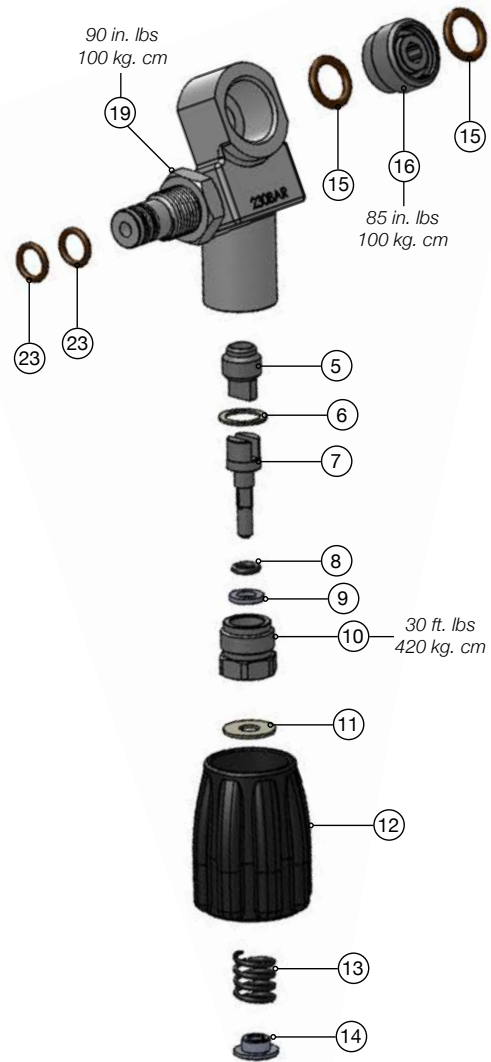




Modular Valve Crossbar



H Adapters PRO - Left Hand



#	Part #	Description
	VKT-K	Service Kit – Thermo K Valve, + 4 ea. VP25-V O-rings req'd to service each Crossbar
	VKT-P	Service Kit – Thermo PRO Valve, + 2 ea. VP25-V O-rings req'd to service each H Adapter
5	VP05	Seat
6	VT06	Copper Crush Washer
7	VP07	Stem
8	VP08-E	O-ring - EPDM (Stem)
9	VP09	Teflon Washer (Stem)
10	VT10	Bonnet - Thermo
11	VP11	Teflon Washer (Handwheel)

#	Part #	Description
12	VP12-BK	Handwheel - Black
12	VP12-GN	Replacement Handwheel - Green
13	VP13	Spring
14	VP14	Nut
15	VP15-V	O-ring - Viton (Outlet)
15	VP15-P	O-ring - Polyurethane (Outlet)
16	VP16-V	DIN Insert with both o-rings Viton
18	VP18-R	Barrel Jam Nut - Right (with notches)
19	VP18-L	Barrel Jam Nut - Left
23	VP25-V	O-ring - Viton (Barrel)

Part numbers in bold italics are standard replacement parts