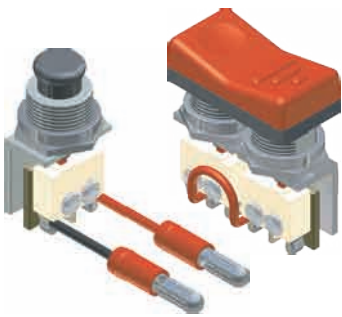
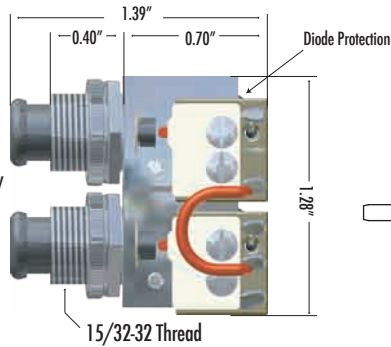
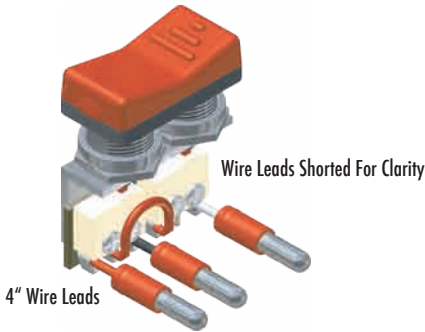


Switches

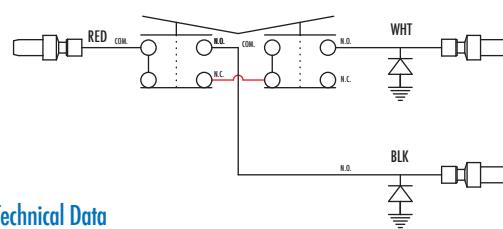
Standard CTI Switches



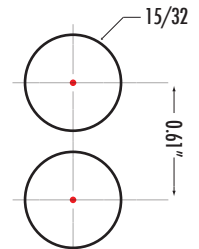
CTI Rocker Switches



Circuit Diagram



Panel Cutout Dimensions

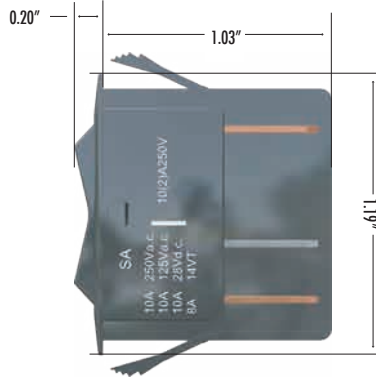


CTI Part # **32-R-920901-01** SPDT-MOM (DC w/leads) (On)-Off-(On)

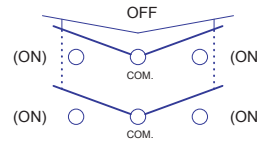
Technical Data

Cycles: **10,000,000**
 Current Rating: **5 amps@30VDC**
 Temperature Range: **-40°C to +85°C @ Rated Current**
 Internal Seals: **N/A**

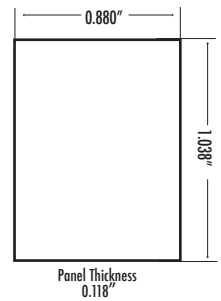
Spring Rate: **6.9 lbs**
 Environmental Protection: **IP40, IP67**
 Wire Leads: **None**
 Terminals: **None**



Circuit Diagram



Panel Cutout Dimensions

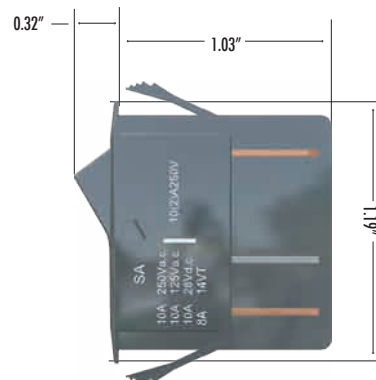


CTI Part # **32-R-2606-11E** DPDT mom (3-Position) (On)-Off-(On)

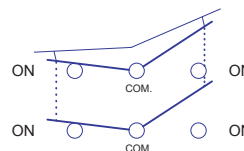
Technical Data

Cycles: **50,000**
 Current Rating: **10 amps@28VDC**
 Current Rating: **10 amps@125vAC, 10 amps@250vAC**
 Temperature Range: **-40°C to +85°C @ Rated Current**

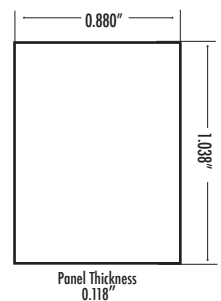
Terminals: **0.25\" Quick-Connect**



Circuit Diagram



Panel Cutout Dimensions



CTI Part # **32-R-2602-11E** DPDT mt (2-Position) On-None-On

Technical Data

Cycles: **50,000**
 Current Rating: **10 amps@28VDC**
 Current Rating: **10 amps@125vAC, 10 amps@250vAC**
 Temperature Range: **-40°C to +85°C @ Rated Current**

Terminals: **0.25\" Quick-Connect**

www.cyber-tech.net

1-800-621-8754

