



## THE LUNA

A sleek, accommodating geometric, in a slightly smaller scale than the Sol, the Luna works beautifully with a broad variety of architectural styles.

### CONSTRUCTION/MATERIAL

- 1.5" Sch. 40 Round Steel Tubing
- 4" Round Steel Flanges

### DIMENSIONS

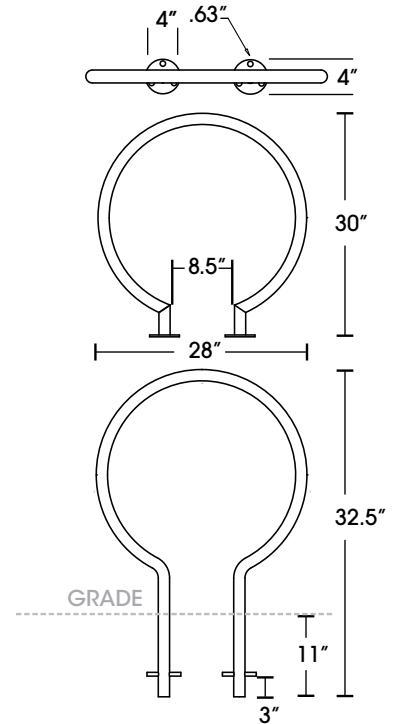
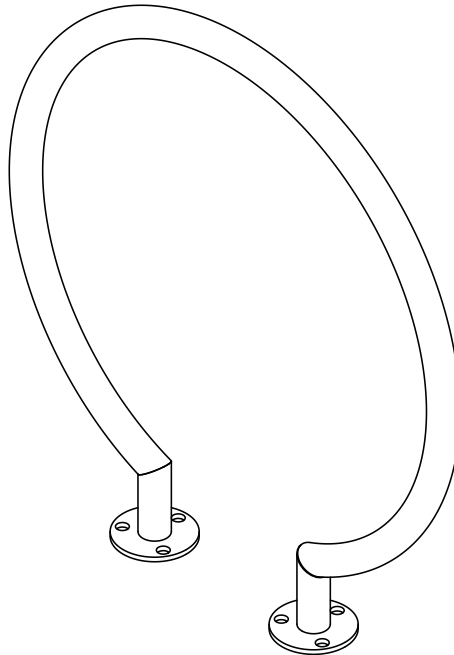
- 28" Length
- 4" Width
- 30" Height (Appx. from Grade)

### MOUNTING OPTIONS

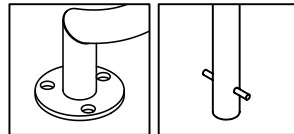
- Flange Mount (Shown)
- (6) .63" Mounting Holes
- In-Ground
- 11" Leg Extensions

### FINISH OPTIONS

- T304 Stainless Steel
- #4 Satin Finish
- Hot Dipped Galvanized
- Powder Coating
- # \_\_\_\_\_
- Thermoplastic Coating
- # \_\_\_\_\_



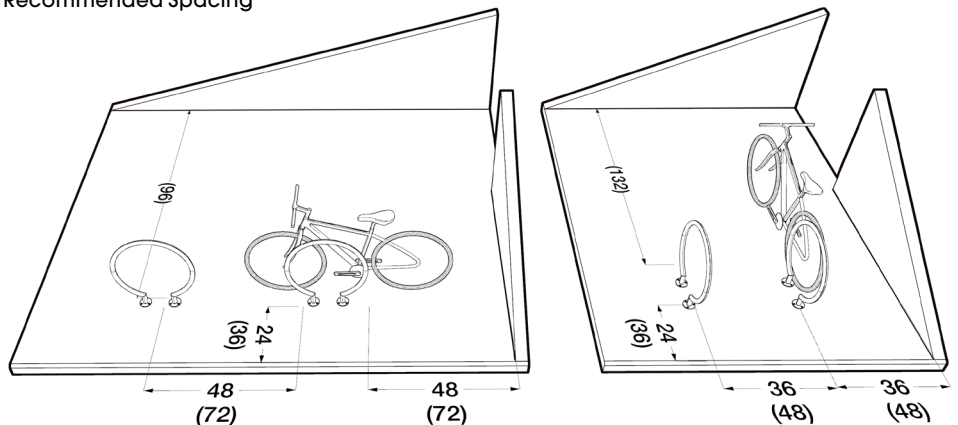
Flange or In-Ground



### RECOMMENDED LAYOUT

#### NOTES:

- "Bike" is 70"
- # Minimum Spacing
- (#) Recommended Spacing



CONTRACTOR: \_\_\_\_\_

JOB: \_\_\_\_\_

NOTES: \_\_\_\_\_