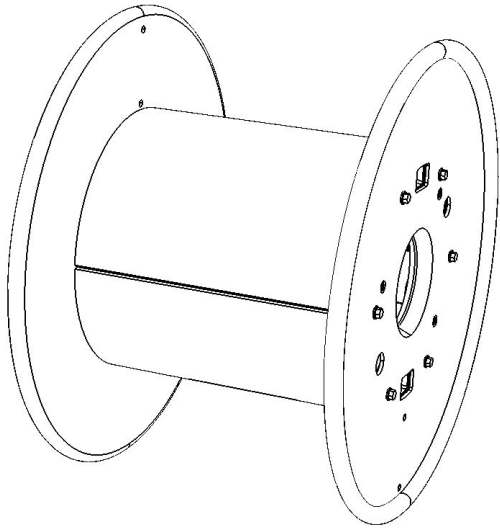


STEEL REEL



Weight capacity: 2,000 lbs.

Steel Reel Applications

- Bunching
- Stranding
- Re-spooling

Reduce Transportation Costs

- Maximize full truck loads on return shipments.
- Ship back more reels for 1/4 of the cost of standard steel reel.

Space Savings

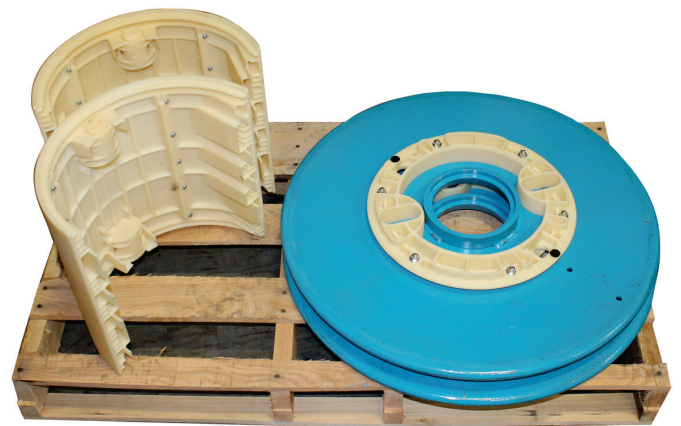
- Stack empty reels on pallet easily and safely.
- Requires 70% less floor space.

Material Handling

- Easily transport multiple reels on a single pallet.
- Assemble and disassemble reels in seconds.

BENEFITS

- Save valuable space in your warehouse.
- Reduce freight on returned shipments.
- Improve material handling and reduce labor cost.



	FLANGE	TRAVERSE	CORE DIAMETER
630 Reel	24.8"/630 mm	15.75"	14"
800 Reel	31.5"/800 mm	15.75"	14"

*Variable Traverse Available.

**ASK
FOR
PRICING**