



## Thin Architectural Splitface Veneer System with AccuTab Technology

### Thin Architectural Splitface Block Veneer Specification Guide

#### **Section 04711: Manufactured Concrete Veneer**

Use this specification guide for each individual project, omitting portions not applicable as required.

#### **1.1 PRODUCT NAME**

Manufactured thin architectural block veneer by Cebu Stone.

Style \_\_\_\_\_ Color \_\_\_\_\_

#### **1.2 MANUFACTURER**

**CebuStone** 500 Port Royal Road, Clarksville, Tennessee 37040

Phone: (931) 614-4167 www.cebustone.com

#### **1.3 DESCRIPTION OF WORK**

Furnish and install Cebu Stone Veneer as specified on drawings and specified installation procedures.

#### **1.4 SUBMITTALS**

As required.

#### **1.5 MATERIAL COMPOSITION**

Cebu Stone to be produced with Type I Portland cement, lightweight aggregates, and iron oxide color to meet or exceed the following specifications:

Water absorption: 3.3%

Compressive strength: 3,300 psi. +

Thermal conductivity: 1.38 R-Factor

#### **1.6 PRODUCT PACKAGING AND HANDLING**

Cebu Stone is packaged on 40"x48" pallets with up to 210 square feet of flat pieces per pallet or 100 lineal feet of corner pieces per pallet. Weight is approximately 10 pounds per square foot (2,100 pounds per pallet) depending on style.

#### **2.1 INSTALLATION MATERIALS**

All materials and equipment are to be clean and free of chemicals that may cause efflorescence.

Materials shall conform to:

##### a. Mortar & Grout:

Portland cement: ASTM C150, type 1 or 2.

Masonry sand: ASTM C144

Type S Mortar: ASTM C270 standards.

Mortar and/or grout colors: ASTM C979, mineral oxide pigments.

Water: use clean potable water.

Wire mesh (as specified): 2.5# Galvanized.

Fasteners: 1.5" galvanized nails, staples or screws.

Vapor/moisture barrier: ASTM D226, 15 lb. asphalt saturated organic felt.

## **Cebu Stone Specification Guide (continued)**

### **2.2 BONDING & GROUTING MORTARS**

Combine 3 parts sand to 1 part Type S mortar thoroughly and evenly.

### **3.0 EXECUTION**

#### **3.1 EXAMINATION**

Site inspection: Verify that substrate conditions are acceptable for product installation in accordance with manufacturer's instructions.

#### **3.2 PREPARATION FOR ACCEPTABLE SUBSTRATES**

##### 1. Over Concrete / Masonry (tilt-up, CMU, & other masonry surfaces)

Examine masonry surface to determine if it has been painted, sealed, waterproofed or stucco coated. If so, then the following step will be necessary.

- a. Pressure wash the entire coated surface and secure expanded metal lath. Use concrete nails to attach lath, penetrating the substrate by at least 1 inch at 6 inches on center vertically. If entire coating has been removed from the surface then the lath may not be necessary. However, for extra protection it is recommended to apply the metal lath. If masonry surface has concrete form release agent or form oil residue, etch surface with muriatic acid and rinse thoroughly with a pressure washer. An acrylic binder is also recommended. If masonry surface is untreated, no preparation or weather resistant barrier is needed.

##### 2. Over Wood Framing

Cover substrate with a weather resistant barrier, (asphalt building paper or Tyvek® equivalent). Lap joints 4 inches and in accordance with local building codes. Install galvanized metal lath using galvanized nails or staples 6 inch on center vertically penetrating studs a minimum of 1 inch. Metal lath must be installed by overlapping all edges a minimum of 2 inches in a running bond pattern.

##### 3. Over Metal Studs

Apply  $\frac{3}{8}$ -inch rib expanded metal lath to metal cladding supports of 20 gauge to 12 gauge using 1  $\frac{1}{4}$ -inch Pancake Head self-tapping screws. Screws must penetrate  $\frac{3}{8}$  inch beyond inside face of metal surface. Screws must be installed on center equal to 1 inch per square foot and not exceed 6 inch on center in one direction. Apply  $\frac{1}{2}$  inch scratch coat and allow to dry for 48 hours before applying Cebu Stone.

##### 4. Over Combined Substrate Overlaps (masonry adjoining framing)

An expanded joint should be installed between two different substrates that are adjoining. A properly sized backer rod finished with a urethane sealant is recommended.

AFTER PREPARING THE SUBSTRATE, PROCEED WITH THE FOLLOWING

### **3.3 INSTALLATION OF CEBU STONE THIN ARCHITECTURAL SPLITFACE BLOCK VENEER**

#### a. LAYOUT

The initial layout is critical to a successful installation. The use of a transit is highly recommended to locate the top of the first full course of block. Sight, then mark both ends of the entire first course and snap a line. Next, lay up the corner blocks (if applicable). Lay each block in the field course exactly to the line snapped. Re-check if necessary. If needed, snap a vertical line approximately every 8 feet to ensure  $\frac{1}{2}$ " joints are lined up properly. Lay up the entire wall using the AccuTab® Set System, re-checking the courses as you go.

## **Cebu Stone Specification Guide (continued)**

### **b. MORTAR and PLACEMENT**

Type S mortar is recommended. Apply mortar base coat ½ inch thick to prepare surface using a mason's trowel. Apply a generous ribbon of mortar to the back of each Cebu Stone block. Press and slightly rotate each stone horizontally onto base coat firmly enough to let excess mortar squeeze out around the edges of each block. This will ensure proper bond.

### **c. SIZING and SHAPING**

Always use safety glasses and an appropriate dust mask when trimming and cutting. When cutting or trimming blocks, the accuracy of a tile or block saw equipped with a diamond blade is highly recommended. When a block is cut, the edge must be covered with mortar to help conceal any exposed aggregate.

### **3.4 GROUTING and CLEANING**

All joints must be grouted using a grout bag with mortar compacted around Cebu Stone block edges to ensure proper bond. Grout should be flush with surface of each block, then pointed in with a brick or block metal jointing tool leaving a concave joint. Brush lightly to finish. Mortar smears should be removed after mortar has become brittle, using a dry stiff brush. Never use a wet brush to treat the mortar joints. This may cause staining that can be difficult to remove. For help with serious cleaning problems contact your local Cebu Stone distributor.

### **3.5 COLORING**

The use of a colored elastomeric block filler which provides excellent water repellent properties while giving unlimited design features is recommended. The aggressive surface produced from our manufacturing process is an excellent substrate for coloring to adhere.

### **3.6 OTHER PRECAUTIONS**

Related trades (siding installer, roofing installer, etc.) should provide flashing and any required sealants per local building code requirements, (consult the project Architect or Engineer for details on flashing, caulking, sealants, or building code requirements for the project's particular area).

Cebu Stone requires 2 inches of working area. Overall thickness of Cebu Stone, once installed, will average between 1¼" to 1¾" depending on block texture.

No expansion joints are required for Cebu Stone. However expansion joints do need to be installed in accordance with local building codes per substrate.

### **Important Installation Notes**

All finish trades should be completed before Cebu Stone installation begins. Cebu Stone installers need to have straight lines to work the Cebu Stone up against. The installer can work to a straight edge left by a related trade. All heavy mechanical units, such as, HVAC and any other equipment that will add substantial weight to the structure, including equipment and material for the roof, need to be completed before the Cebu Stone installation commences.

### **Precautions**

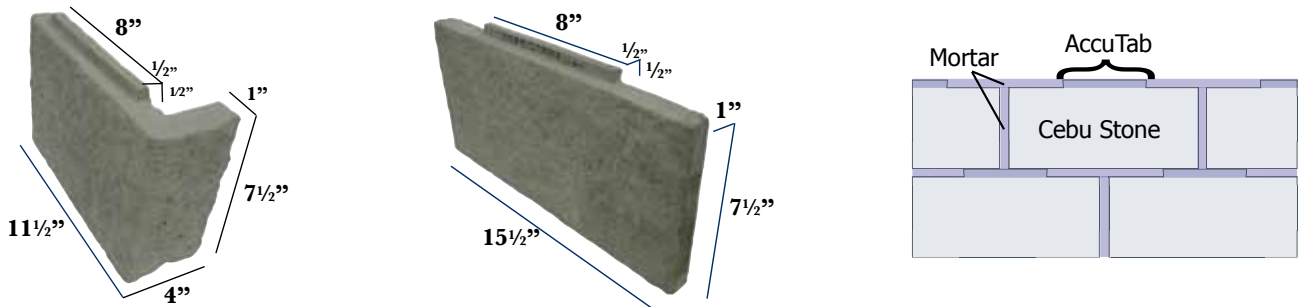
Care must be taken to avoid staining of Cebu Stone by mud splashing during a heavy rainfall. Care should be taken to remove any mud that does get on the Cebu Stone units. Cleaning becomes more difficult the longer the mud stays on the block.

## Cebu Stone Specification Guide (continued)

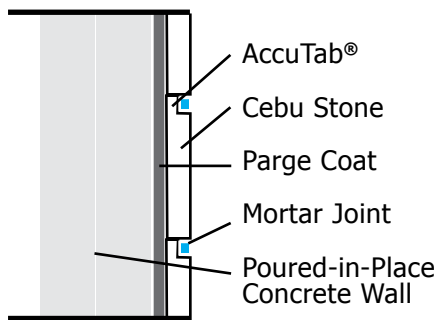
Additional Cebu Stone product information:

| <b>Style</b>          | <b>Average Size</b>       | <b>Average Weight</b> | <b>Units/Pallet</b> |
|-----------------------|---------------------------|-----------------------|---------------------|
| Cebu Stone Flat       | 7.5" x 15.5" x 1.25"      | 7 lbs                 | 240 pcs, 210 sq/ft  |
| Cebu Stone Corner     | 7.5" x 11.5" w/ 4" return | 7.2 lbs               | 141 pcs, 100 l/ft   |
| Cebu Stone Sill       | 32" x 4" x 2"             | 12 lbs                | as needed           |
| Cebu Antique Chiseled | 7.5" x 15.5" x 1.5"       | 9.5 lbs               | 240 pcs, 210 sq/ft  |

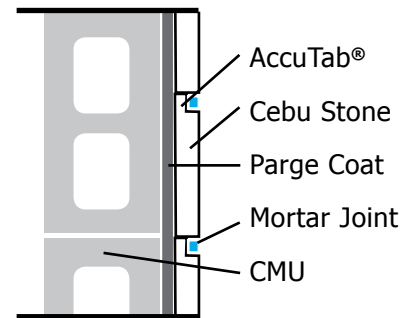
The following drawings may be used to aid in the specifying and installation processes:



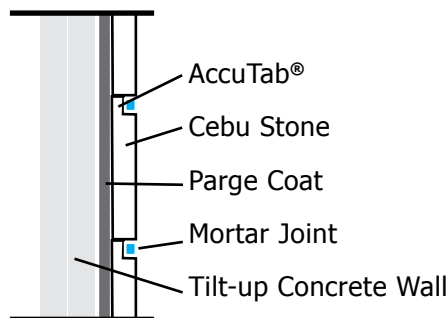
### Concrete & Masonry Surfaces:



**INSTALLATION ON CONCRETE WALL**  
(SCALE AS NOTED)



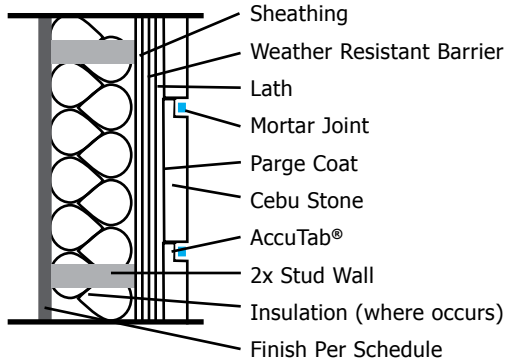
**INSTALLATION ON CMU WALL**  
(SCALE AS NOTED)



**INSTALLATION ON TILT-UP WALL**  
(SCALE AS NOTED)

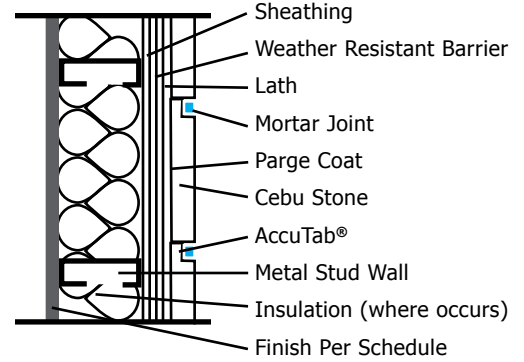
# Cebu Stone Specification Guide (continued)

## **Wood Framing**

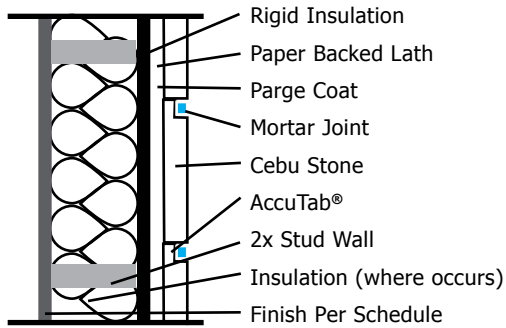


**INSTALLATION OVER SHEATHING**  
(SCALE AS NOTED)

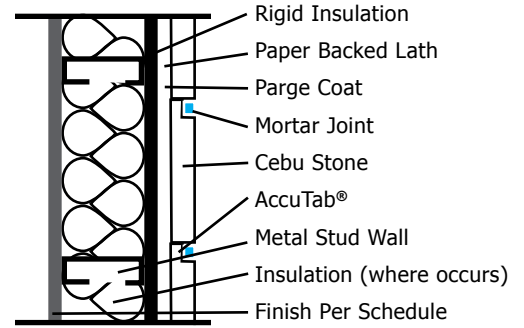
## **Metal Framing**



**INSTALLATION OVER SHEATHING**  
(SCALE AS NOTED)

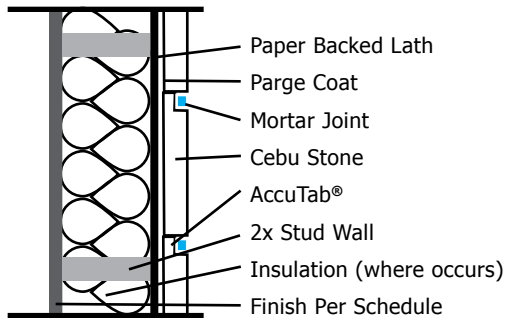


**INSTALLATION OVER RIGID INSULATION**  
(SCALE AS NOTED)

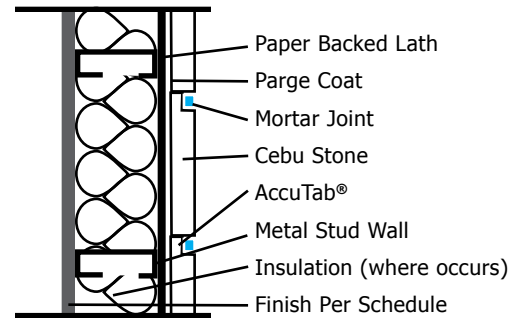


Scale 1.5" = 1"

**INSTALLATION RIGID INSULATION**  
(SCALE AS NOTED)



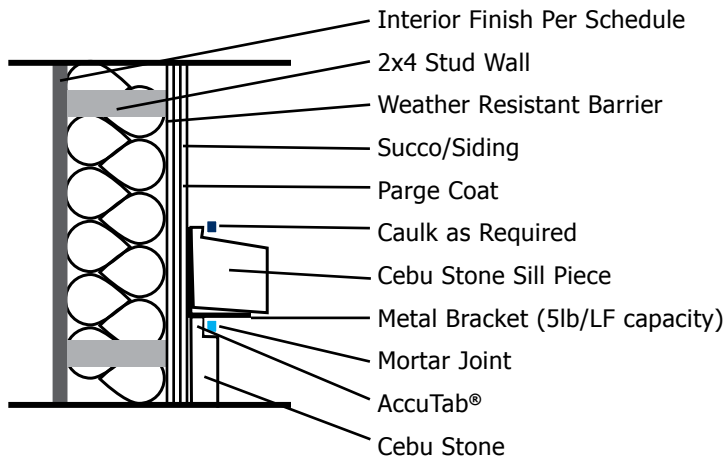
**INSTALLATION OVER OPEN STUD FRAMING**  
(SCALE AS NOTED)



**INSTALLATION OVER OPEN STUD FRAMING**  
(SCALE AS NOTED)

## **Cebu Stone Specification Guide (continued)**

### **Water Table/ Sill Piece Installation**



**WATERTABLE AT WAINSCOT**  
(SCALE AS NOTED)

### **Cebu Stone Warranty Certificate**

#### **Twenty-Five Year Limited Warranty:**

Cebu Stone products are covered for a period of 25 years from the date of purchase when used on a structure that conforms to local building codes and installed in accordance to manufacturer's instructions. Cebu Stone will provide new materials to replace those which are determined to be defective. This warranty is limited to the original purchaser and is based upon the date of purchase, date of completion of the installation if professionally installed, or date of settlement of the purchase of a newly constructed building, whichever is applicable. This warranty is not transferable to any subsequent owner.

#### **This warranty does not cover damage resulting from:**

1. Improper application not in strict adherence to the Cebu Stone installation instructions or installation not in accordance with local building codes.
2. Settlement of the building, substrate or other wall movement.
3. Discoloration due to airborne contaminants.
4. Contact with chemicals causing staining or oxidation.
5. Damage from extreme weather damage or other Acts of God.
6. Vandalism.
7. Wantful neglect of the installed products.

This warranty covers only manufacturing defects in Cebu Stone manufactured block products. Cebu Stone is not responsible for labor costs incurred in removal and replacement of defective products. Cebu Stone is not warranted for use in any horizontal or paving applications, or other applications not consistent with the intent of the product.