

Specification Sheet

250watt Solar Panel Kit

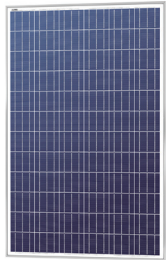
The REDi-lite 250w Solar Panel Kit includes a high efficiency Multicrystalline PV panel which is mounted on the roof using either tile or metal roof brackets. The kit includes a 5m length of 4mm² Twin DC cable to enable a central location in the

Model No. RS-SPK250

roof cavity for the termination of light feeds, a junction box is provided. There is also 20m of twin 1.84mm² cable which is used to run from each light back to this junction box.

Solar Panel - 250watt

- Nominal - 24VDC
- Voltage max (Vmp) - 34.4v
- Current max (Imp) - 7.27A
- Size: 1814 x 992 x 45mm



*Data sheet available

DC Solar Cable

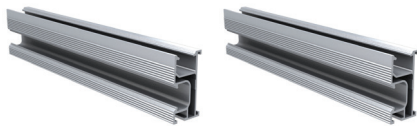
- 20m of 2 core UV protected 1.84mm² tinned copper wire
- 5m of 2 core UV protected 4mm² tinned copper wire



*Data sheet available

Aluminium Mounting Rail

- 2 x 1200mm long rail



Heavy-duty cyclone rated roof mounting bracket kits

Tile Roof

- 4 x tile brackets
- 4 x adjustable end clamps
- 4 x rail lugs
- 12 x 14g 10 TPI Tekes T17 (buildex screws)



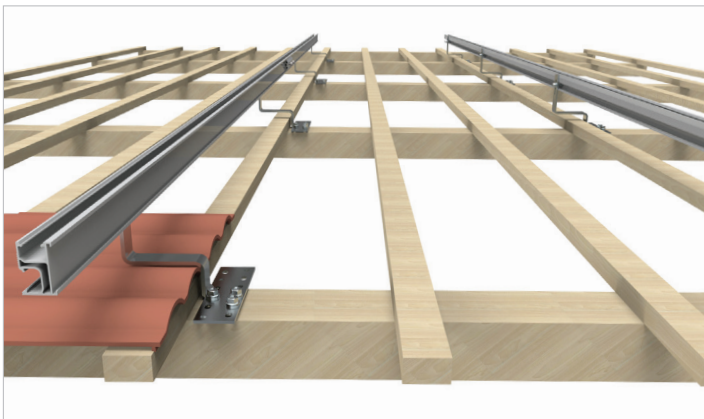
Metal Roof

- 4 x aluminium tin brackets
- 4 x adjustable end clamps
- 4 x rail lugs
- 4 x rubber washers
- 1 x rubber flashing
- 4 x 14g 10 TPI Tekes (buildex screws)

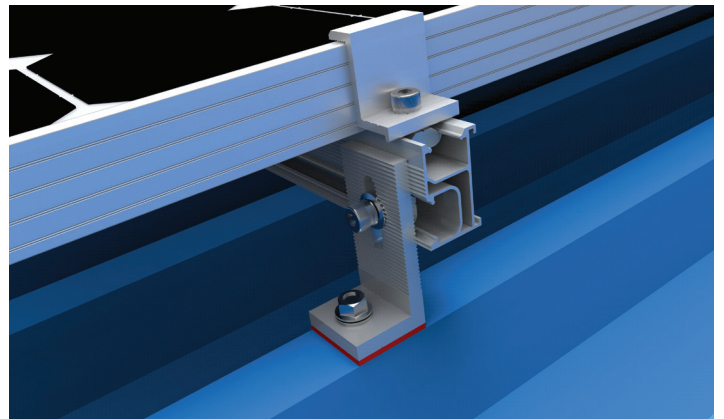


Notes:

- *All holes are to be pre-drilled
- *Each tile bracket must have a minimum of 3 screws
- *Refer to the Wind Region Table to determine mounting bracket spacing.



Tile roof bracket



Metal roof bracket