

24watt SPECTRA Light Driver

Model No. RS-DRIVER

The REDi-lite SPECTRA driver is designed using the highest quality components ensuring reliability, efficiency and an overall superior performance. It converts unregulated power from a 24v solar panel to a regulated constant current supply for safe and reliable use with REDi-lite luminaires.

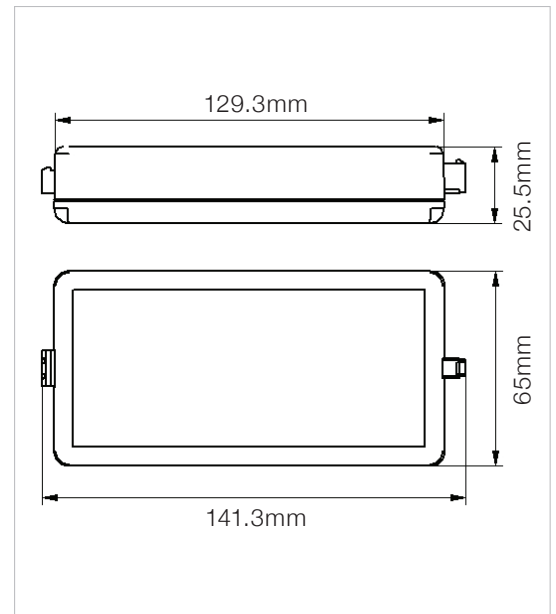
The driver is factory set to drive 24watt loads but it may also be configured by the installer to drive 12w or 36w LED light loads.



Specifications

Type	Constant current regulator
Total Consumption	27watts
Total Input Current @40VDC	675mA
Total Input Current @30VDC	895mA
Fuse Type	PTC (Thermal resettable fuse)
Optional Power Settings	12, 24 & 36watt
Ambient Operating Temp	-10-+50°C
Enclosure	ABS Plastic
Dimension L x W x H	130 x 65 x 25mm
Certification	AS/NZS CISPR 15:2011
Warranty	5 years
Input Voltage Range	30-40 VDC
Max Input Voltage	50 VDC

Dimensions



Note:

Each SPECTRA driver is pre-set for a 24watt light load which controls a 24watt light fitting or 4 x 6watt light fittings. If a 12watt load is required than simply remove the link which is located inside the driver. See instructional video on how to remove this link.



Light fitting output



Solar panel input