

Features

- 16-Channels Digital Switch Driver
- Voltage Level: 10V, 20V or 30V configurable
- Maximum Switching Frequency: 1kHz
- PCB Dimensions: 25.4(1) x 16.8(0.66) mm(in)

Applications

- Microfluidics
- Assay Automation

Description

The eFLUIDIC-I controls micro pumps and micro valves to manipulate micro volumes of fluid for multiplexing, automation and high-throughput screening. The module has a total of 16 control switches that can operate at 10V, 20V and 30V levels. Once the voltage level is set, all the control switches will operate at that voltage.

Block Diagram

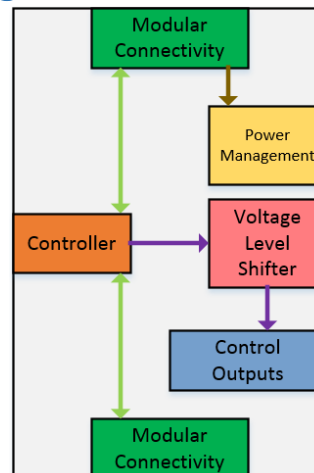


Fig. 1, Top level system diagram



Fig. 2, eFLUIDIC-I PCB board (top view)