

## Features

- One PH Recording Channel
- 2-Electrode Connection with Active Guarding
- Common Mode: 0.5V to 2.9V (7 levels)
- Gain Settings: 1x-8x (4 settings)
- PCB Dimensions: 25.4(1) x 16.8(0.66) mm(in)

## ADC

- Input Voltage Range: 0-3.3V
- Sampling Rate: 10Hz, 20Hz or 50Hz configurable @ 16-bit accuracy
- Resolution: 0.1% of range

## Applications

- pH Sensing
- Electrochemical Sensing
- Environmental Monitoring

## Description

The ePH-I is a 2-electrode sensor configured to measure the concentration of hydrogen-ions present in a solution. The module can also be used as a single-channel voltage mode electrochemical sensor with configurable common voltage setting.

## Block Diagram

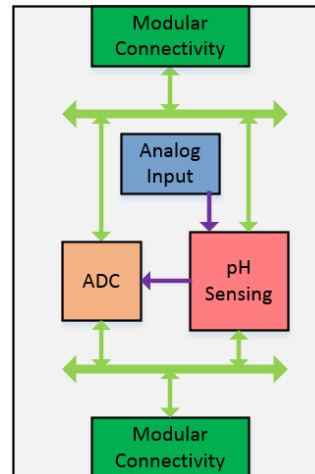


Fig. 1, Top level system diagram

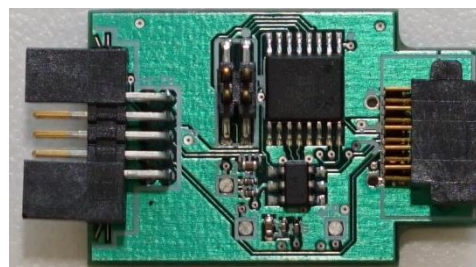


Fig. 2, ePH-1 PCB board (top view)