

Features

- Vertical-to-horizontal mating
- Secure contact
- Multiple mating cycles
- Prevent mating mismatch
- Consolidate all modules and their functionalities
- PCB Dimension: 70.6(2.78) x 121.9(4.8) mm(in)

Applications

- Electrochemical Sensing
- DNA/Protein Sensing
- Assay Automation
- Microfluidics
- Environmental Monitoring

Description

The eBRIDGE-I connects all the sensing modules to allow the user to fully utilize all the functionalities of eSEN-II. The eBRIDGE-I interfaces with the vertical connectors from each modules and connects these into a single horizontal edge card connector. The eSENSOR-I attaches to edge card connector to facilitate electrochemical and biological sensing experiments.

Block Diagram

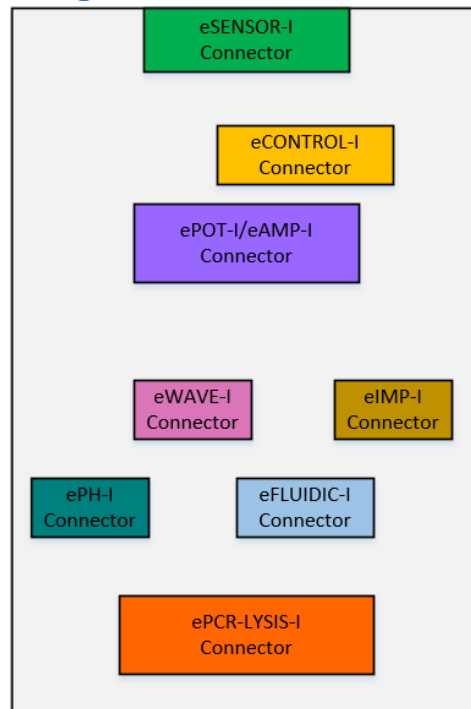


Fig. 1, Top level system diagram

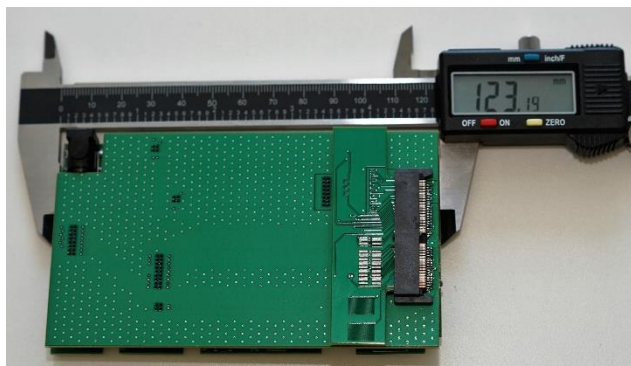


Fig. 2, eSEN-II PCB board assembly