

# Valego Layer Nests

**VOLITO**<sup>®</sup>

## Valego Nest Systems for Layers

- Available as floor nest and integrated nest in aviary systems
- Versatile common platform provides a wide range of options
- Easy installation and maintenance
- Smart Click&Fix of nest walls and roofs



## High Quality Materials

- Walls and roofs from durable film faced plywood
- Self-cleaning AstroTurf<sup>®</sup> pads
- Galvanized steel frame assembled with TAPTITE<sup>®</sup> screws
- Stainless steel adjustable legs

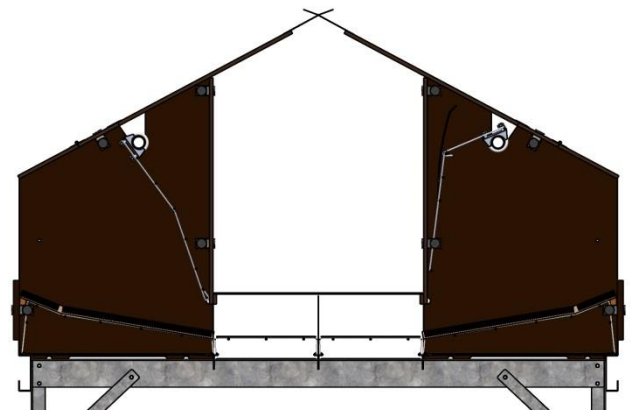
## Valego Accessories

- Drive units (variable speed)
- Return units (classic or with brush)
- Collection tables
- Conveyors
- Elevators

[www.volito.com](http://www.volito.com)

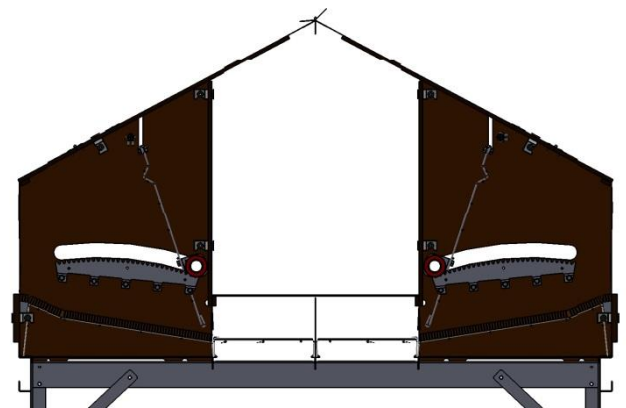
## Valego TDE Nest System

- Torque drive expulsion system
- Nest section dimensions
  - TDE-43: 2400 x 1420 mm
  - TDE-49: 2400 x 1540 mm
- Nest space, KAT regulations compliant
  - TDE-43: 1185 x 445 mm, 2.11 m<sup>2</sup>
  - TDE-49: 1185 x 500 mm, 2.37 m<sup>2</sup>
- Rear rollaway: 2 x 250 mm egg belt
- Egg belt: perforated or woven
- Expulsion panel: single or multiple
- Roof: single or multiple



## Valego RDE Nest System

- Rack drive expulsion system
- Panel follows the slope of the nest pad
- Nest section dimensions
  - RDE-49: 2400 x 1540 mm
- Nest space, KAT regulations compliant
  - RDE-49: 1185 x 500 mm, 2.37 m<sup>2</sup>
- Rear rollaway: 2 x 250 mm egg belt
- Egg belt: perforated or woven
- Roof: single or multiple



## Valego MFE Nest System

- Moveable floor expulsion system
- Nest section dimensions
  - MFE-52: 2400 x 1585 mm
- Nest space, KAT regulations compliant
  - MFE-52: 1185 x 520 mm, 2.46 m<sup>2</sup>
- Front rollaway: 2 x 250 mm egg belt
- Rear rollaway: 2 x 250 mm egg belt
- Egg belt: perforated or woven

