

# BLOND<sup>®</sup>

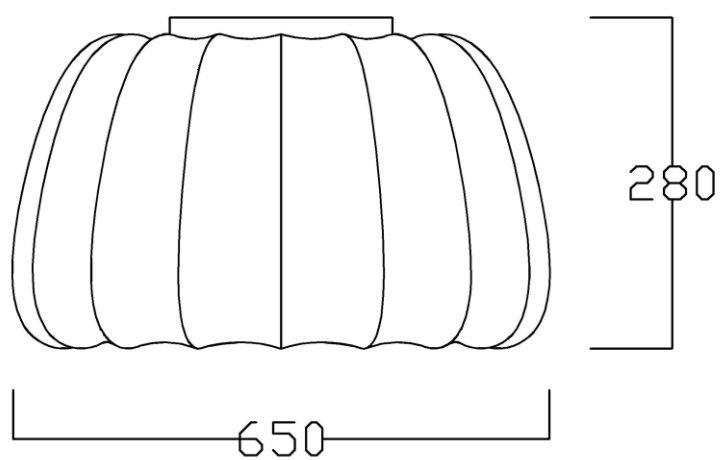
## Soft Ceiling

Installation, maintenance, use and waste management instructions

# Technical Information

 **CE IP23**

Art. no	Lightsource	Weight
05111-35	LED  UL version available  	6 kg



## General Installation

Technical data on the internal label.
Luminaire to be used indoor.
In case of damage, always contact manufacturer before switching on product.
For cleaning instructions, see section "General Maintenance Recommendations".
To replace electrical equipment such as LED-module, ballast, etc. please contact manufacturer.
Electronic equipment may be sensitive to voltage surges. Where applicable installation of a protection device against overvoltage should be used to protect the luminaire from risk of damage.
In some cases, luminaires are manufactured by hand crafted procedures throughout the process. Therefore small imperfections might be visible and are part of the luminaire appearance.
In order to protect and maintain the luminaire over time, see section "General Maintenance Recommendations".

<u>Modification of the luminaire without written permission is strictly forbidden.</u>
Installation of this luminaire must be carried out by a qualified person in accordance with good electrical practice and the appropriate national wiring regulations.
Do not use lamps with higher power than indicated.
Disconnect main voltage before maintenance operations.

## General Maintenance Recommendations

Luminaires should normally be cleaned in connection with relamping. Reflective surfaces ought to be cleaned if / when dust or grime is discovered.
<u>Always</u> disconnect the voltage before cleaning, make sure electrical components and cabling is <i>not exposed to cleaning agent or water</i> .
Use clean antistatic gloves when handling parts that are to be cleaned. Unpowdered latex gloves to be used during washing. Wash using a clean cloth, without microfiber or cotton. Make sure to often change water and cloths. For high reflective materials, use cleaning leather / compressed air where applicable. Drying spots might occur when self drying.
In general, indoor luminaires are to be cleaned after 2-3 years. Outdoor luminaires after 5 year. Contact manufacturer if uncertain.
Recommended cleaning / material in regards of pollution, see below.

<b>Part / Material</b>	<b>Normal pollution</b>	<b>Severe Pollution</b>	<b>Means of drying</b>
<p>Luminaire body / Shade</p> <p>Lacquered surface Aluminium Aluzink</p> <p>Aluminum (polished) Brass Chrome</p> <p>Untreated brass Untreated corten Untreated copper Untreated ore</p> <p>Acrylic</p> <p>Textile</p> <p>Wood</p>	<p>Dust / Vacuum with soft brush. Use a neutral cleaning agent in lukewarm water. Clean with damp cloth.</p> <p>Dust / Vacuum with soft brush. Blow dust with compressed air where applicable. Use a neutral cleaning agent in lukewarm water. Clean with damp cloth.</p> <p>Untreated materials such as brass, copper etc. obtain a patina when oxidizing. To maintain the oxidized appearance the surface should not be polished.</p> <p>Dust / Vacuum with soft brush. Use a neutral cleaning agent in lukewarm water. Clean with damp cloth.</p> <p>Dust / Vacuum with soft brush. Blow dust with compressed air where applicable. Use a neutral cleaning agent in lukewarm water. Clean with damp cloth.</p> <p>Dust / Vacuum with soft brush.</p> <p>Dust / Vacuum with soft brush or clean cotton cloth.</p>	<p>Use detergent agent, without bate- or abrasive effect, in lukewarm water. Clean with damp cloth.</p> <p>Use detergent agent, without bate- or abrasive effect, in lukewarm water. Clean with damp cloth.</p> <p>Use a neutral cleaning agent in lukewarm water. Clean with damp cloth.</p> <p>Use detergent agent, without bate- or abrasive effect, in lukewarm water. Clean with damp cloth.</p> <p>Contact manufacturer.</p> <p>Contact manufacturer.</p>	<p>Wipe with dry, soft antistatic cleaning or cotton cloth. Let dry at room temperature.</p> <p>Wipe with dry, soft antistatic cleaning or cotton cloth. Let dry at room temperature.</p> <p>Wipe with dry, soft antistatic cleaning or cotton cloth. Let dry at room temperature.</p> <p>Wipe with dry, soft antistatic cleaning or cotton cloth. Let dry at room temperature.</p> <p>Contact manufacturer.</p> <p>Contact manufacturer.</p> <p>Wipe with dry, soft antistatic cleaning or cotton cloth. Let dry at room temperature.</p> <p>NOTE! Depending on the waterquality drying spots might occur.</p> <p>Dry with compressed air. Wipe with dry, soft antistatic cleaning cloth. Let dry at room temperature. NOTE! Depending on the waterquality drying spots might occur.</p> <p>Wipe with dry, soft antistatic cleaning cloth. Let dry at room temperature. NOTE! Depending on the waterquality drying spots might occur.</p>
Glass	<p>Dust / Vacuum with soft brush. Blow dust with compressed air where applicable. Use a neutral cleaning agent in lukewarm water. Clean with damp cloth.</p>	<p>Use detergent agent, without bate- or abrasive effect, in lukewarm water. Clean with damp cloth.</p>	<p>Wipe with dry, soft antistatic cleaning or cotton cloth. Let dry at room temperature.</p> <p>NOTE! Depending on the waterquality drying spots might occur.</p>
<p>Reflectors / Louvres</p> <p>Anodized aluminium Polished surfaces Metallized surfaces. Lacquered surface</p> <p>Acrylic louvres</p>	<p>Dust / Vacuum with soft brush. Blow dust with compressed air where applicable. Use a neutral cleaning agent in lukewarm water. Clean with damp antistatic cloth. Change water and cloth regularly.</p> <p>Dust / Vacuum with soft brush. Blow dust with compressed air where applicable. Use a neutral cleaning agent in lukewarm water. Clean with damp antistatic cloth. Change water and cloth regularly.</p>	<p>Use neutral detergent agent, without bate- or abrasive effect, in lukewarm water. Clean with damp antistatic cloth. Change water and cloth regularly.</p> <p>Use neutral detergent agent, without bate- or abrasive effect, in lukewarm water. Clean with damp antistatic cloth. Change water and cloth regularly.</p>	<p>Dry with compressed air. Wipe with dry, soft antistatic cleaning cloth. Let dry at room temperature. NOTE! Depending on the waterquality drying spots might occur.</p> <p>Wipe with dry, soft antistatic cleaning cloth. Let dry at room temperature. NOTE! Depending on the waterquality drying spots might occur.</p>

## Installation Soft Ceiling

1. Make sure that the voltage and frequency of the mains corresponds with the luminaire.
2. Attach the ceiling attachment.
3. Connect mains to ceiling attachment.
4. Connect luminaire to ceiling attachment, tighten the three screws.

To replace LED-module, contact manufacturer.

## Waste Management Instructions



WEEE directive

The crossed out wheel-bin that is featured on the label of Your product indicates that this product must not be disposed of via the normal household waste stream.

To prevent possible harm to the environment or human health, this product should be separated from other waste streams to ensure that it can be recycled in an environmentally sound manner.

For more information in regards of local collection facilities, please contact Your local government office or the retailer where You purchased this product.