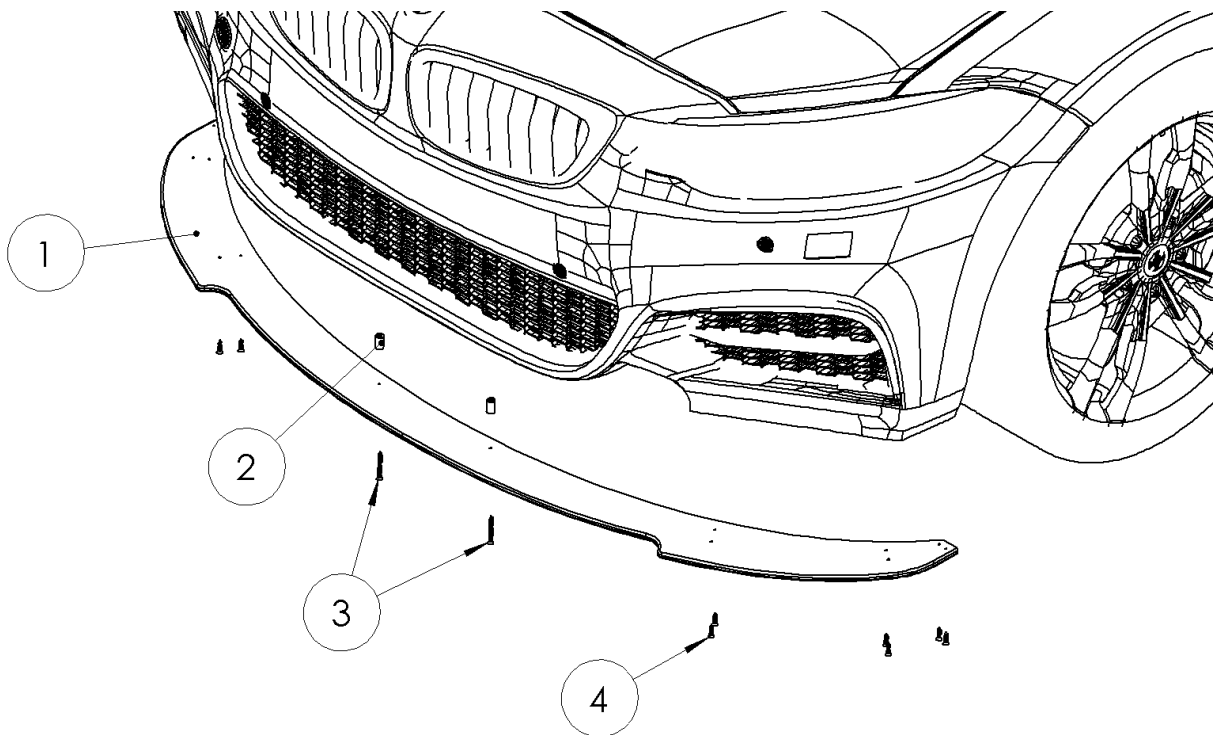


RENEGADE
R&D

Installation Guide for BMW F22/F23 Front Lips (Type I, II, III)

Included Items:

- Front Lip (Item 1, 1x)
- Spacers (Item 2, 2x)
- 2in Long Screws (Item 3, 2x)
- 0.875in Long Screws (Item 4, 12x)



Lift front end of car up to access the underneath of front bumper. Remove the two (2) center bolts from the underneath of bumper. Screw in 2in Long Screws (Item 3) into bottom of Front Lip. Place spacers over 2in Long Screws then line up with two (2) bolt holes in bumper and screw in. Use 0.125in Drill Bit to drill holes where 0.875in Long Screws will mount (Item 4).

Enjoy!