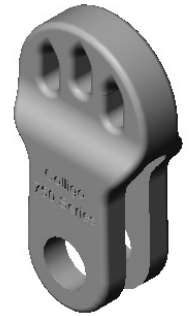
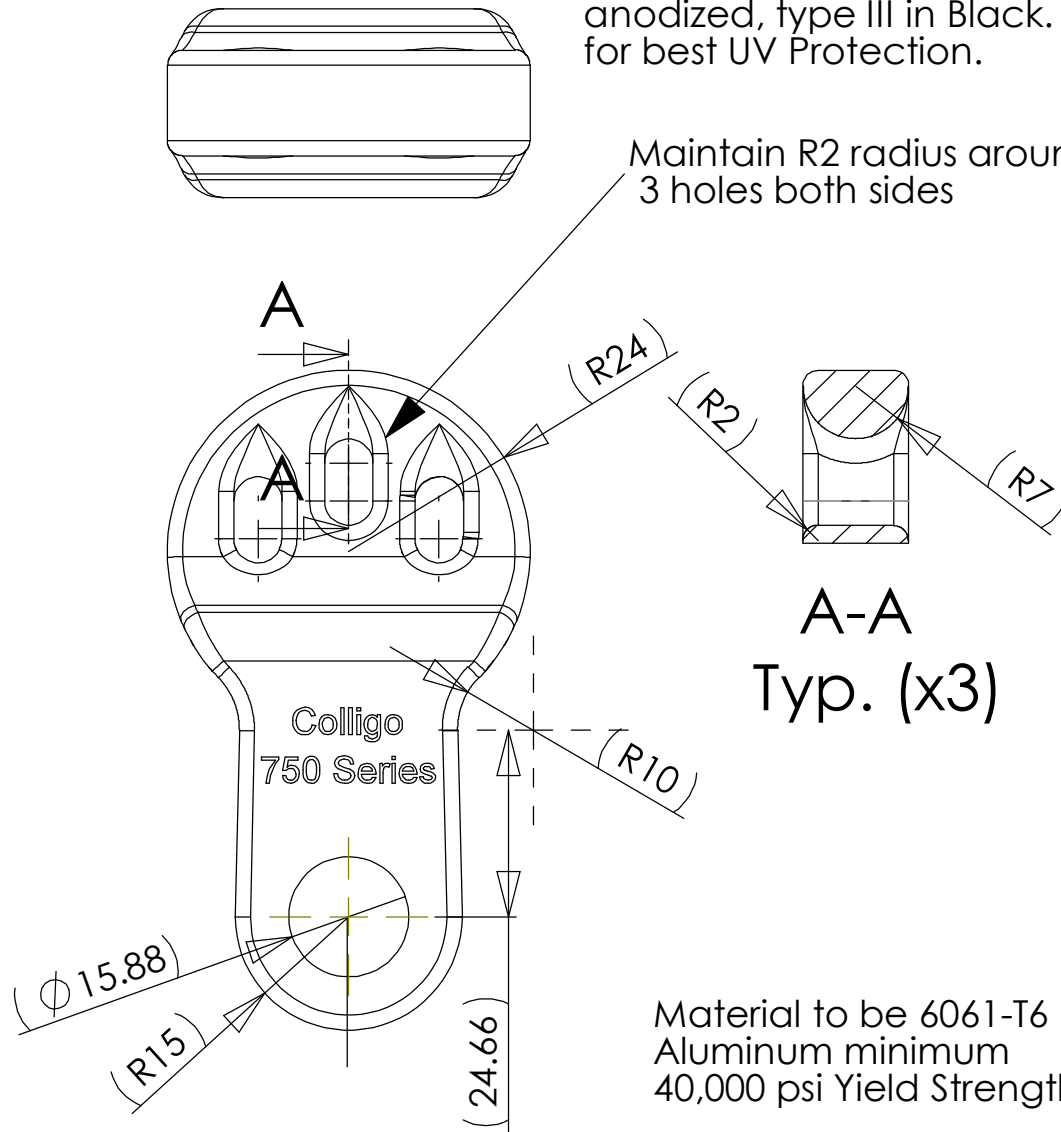


Finish to be Polished, then hardcoat anodized, type III in Black. Long Soak time for best UV Protection.

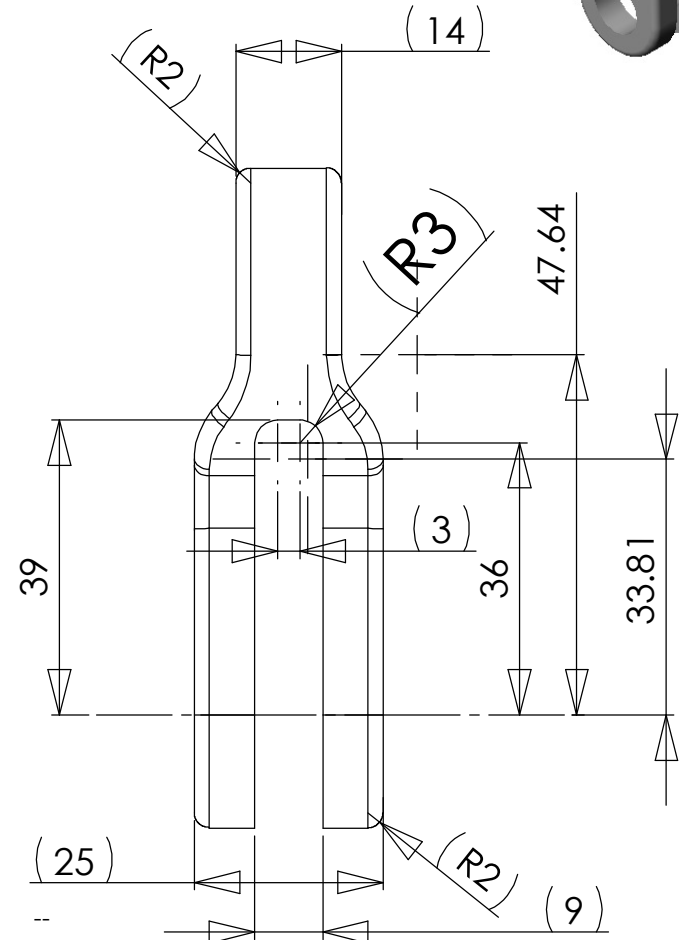


Maintain R2 radius around opening, 3 holes both sides



A-A
Typ. (x3)

Material to be 6061-T6 Aluminum minimum 40,000 psi Yield Strength.



Text to be machined on part "Colligo 750 Series", arial font, 1.5 mm deep, at location indicated.

PROPRIETARY AND CONFIDENTIAL
THE INFORMATION CONTAINED IN THIS DRAWING IS THE SOLE PROPERTY OF COLLIGO ENGINEERING AND DESIGN, LLC. ANY REPRODUCTION IN PART OR AS A WHOLE WITHOUT THE WRITTEN PERMISSION OF <INSERT COMPANY NAME HERE> IS PROHIBITED.

						NAME	DATE	Colligo Marine, LLC		
						DRAWN	JEFranta9_24_10			
						CHECKED				
						ENG APPR.				
						MFG APPR.				
						Q.A.		Chainplate Deadeye Sprint 750 Forestay		
						COMMENTS:				
								SIZE	DWG. NO.	REV.
								A	CHD SF	
								SCALE:1:1	WEIGHT:	SHEET 1 OF 1

DIMENSIONS ARE IN mm
TOLERANCES:
Decimal +/- 0.05mm
.xx +/- 0.025

MATERIAL
Alum 6061-T6

FINISH
Polished

APPLICATION

DO NOT SCALE DRAWING

NEXT ASSY USED ON