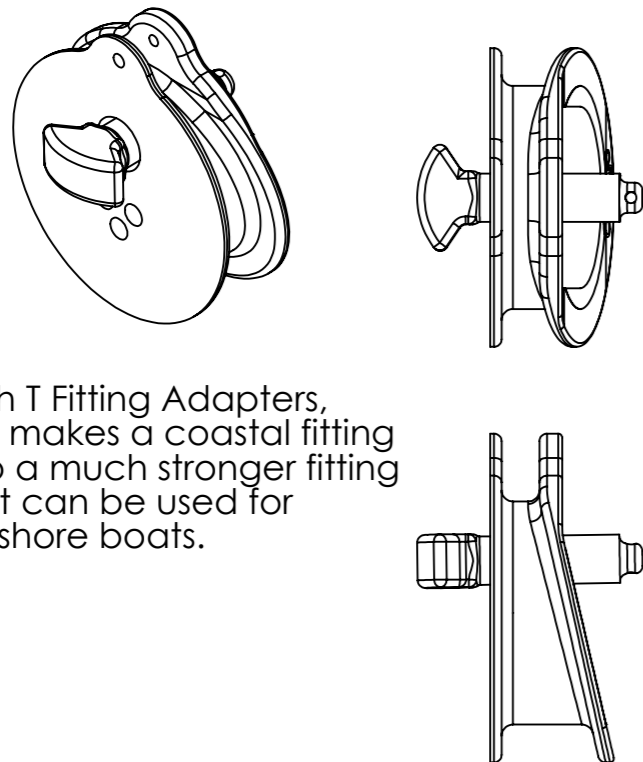
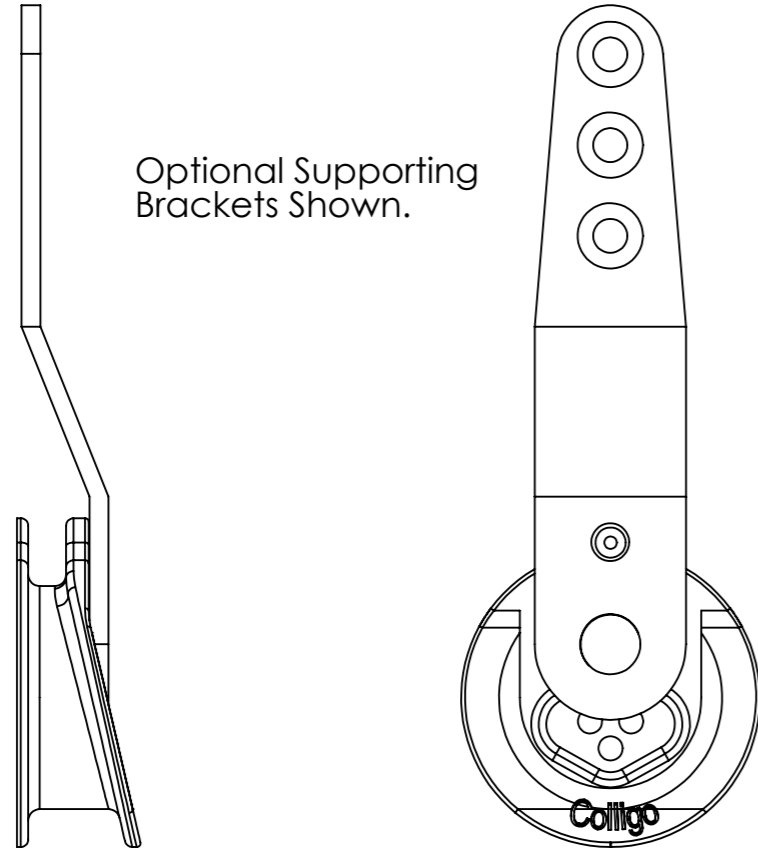


Cheeky Tang Assembly Options

Optional Supporting Brackets Shown.



With T Fitting Adapters, This makes a coastal fitting into a much stronger fitting that can be used for Offshore boats.

Thru bolt assembly for Navtec Refit.

Thru bolt, can use Cotter Pin.

Threadlock nut (not shown)

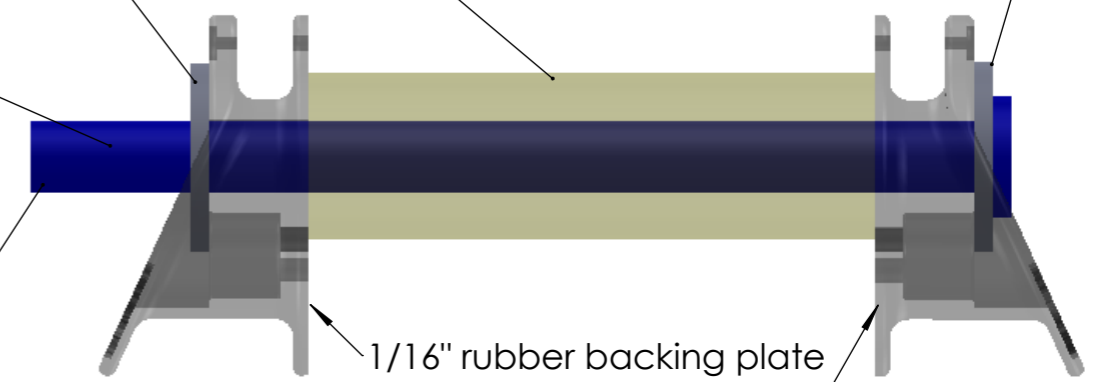
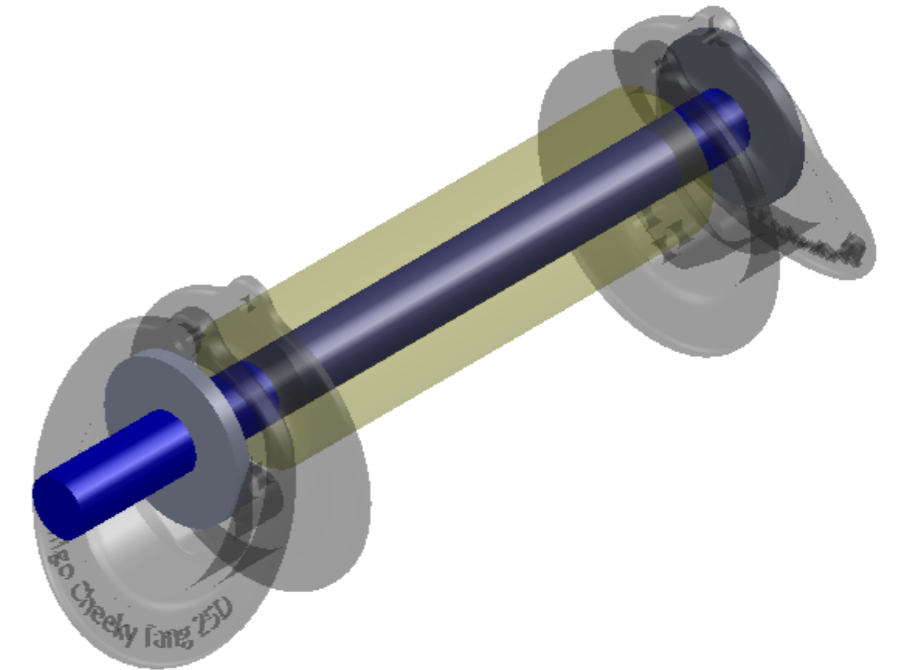
Sleeve

Washer

Washer

1/16" rubber backing plate

1/16" rubber backing plate.



THE INFORMATION CONTAINED IN THIS DRAWING IS THE SOLE PROPERTY OF COLLIGO MARINE, LLC. ANY REPRODUCTION IN PART OR AS A WHOLE WITHOUT THE WRITTEN PERMISSION OF COLLIGO MARINE, LLC IS PROHIBITED.

DIMENSIONS ARE IN mm TOLERANCES: Decimal +/- 0.05mm .xx +/- 0.025		FINISH: See Note on Finish		DEBUR AND BREAK SHARP EDGES		DO NOT SCALE DRAWING		REVISION	
						Colligo Marine, LLC			
DRAWN		SIGNATURE		DATE		TITLE:			
CHK'D				1/24/11					
APPV'D									
MFG									
Q.A						MATERIAL:		DWG NO.	
								A3	
						WEIGHT:		SCALE:1:1	
								SHEET 1 OF 1	