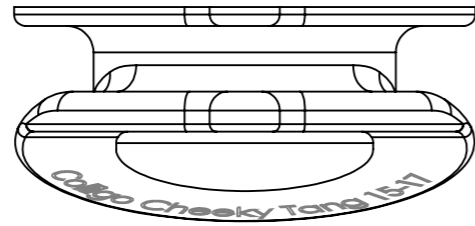
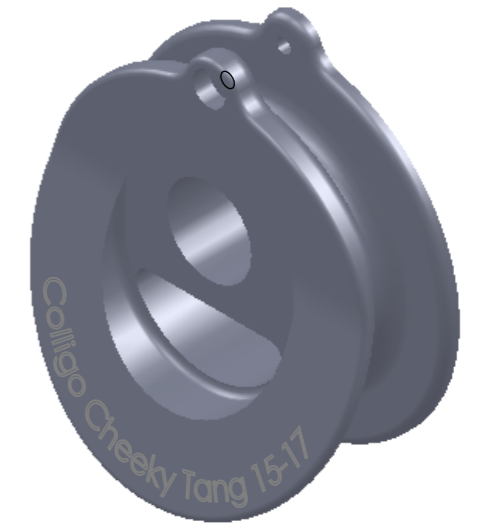
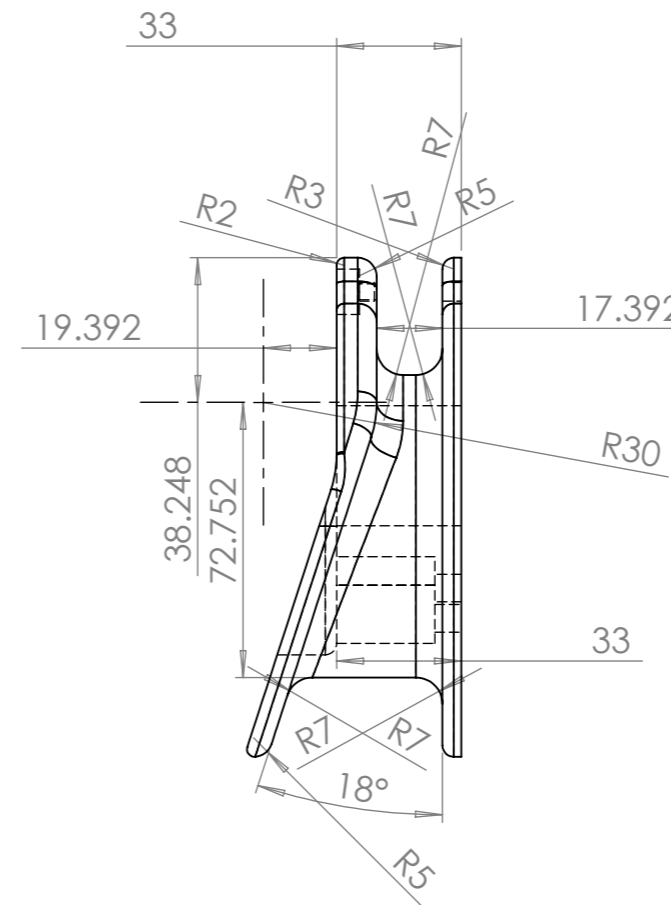
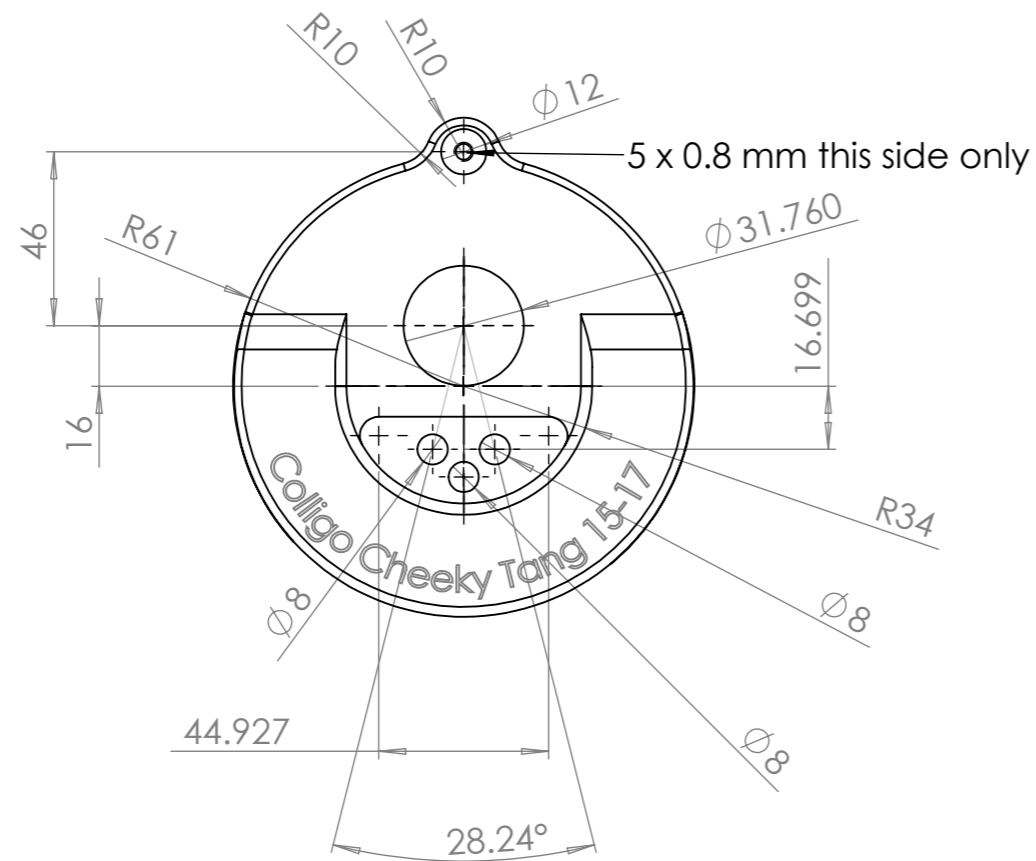


No Sharp edges.



Text machined in area shown "Colligo Cheeky Tang 15-17", arial font, 2 mm deep.



Finish: Polished,
Hardcoat Anodized per
MIL-A-8625 Type III,
Black

| | | | | | | | | | |
|--|--|-------------------------------|--|-----------------------------------|--|---------------------------|--|----------------------|--|
| DIMENSIONS ARE IN mm TOLERANCES: Decimal +/- 0.05mm .xx +/- 0.025 | | FINISH: See Note on Finish | | DEBUR AND BREAK SHARP EDGES | | DO NOT SCALE DRAWING | | REVISION | |
| | | | | | | Colligo Marine, LLC | | | |
| | | | | | | TITLE: chky tang 15-17 | | | |
| | | | | | | DWG NO: | | chkytng 15-17 1_0 A3 | |
| | | | | MATERIAL: ALuminum 6061-T6 | | SCALE:1:2 | | SHEET 1 OF 1 | |
| | | | | WEIGHT: | | | | | |

THE INFORMATION CONTAINED IN THIS
DRAWING IS THE SOLE PROPERTY OF
COLLIGO MARINE, LLC.
ANY REPRODUCTION IN PART OR AS A WHOLE
WITHOUT THE WRITTEN PERMISSION OF
COLLIGO MARINE, LLC IS
PROHIBITED.