

FRONT WHEEL & STEERING LINKAGE

CONTENTS:

Section 1: Components and Material Required Section 2: Steering Setup

DESCRIPTION

The FRONT WHEEL AND STEERING LINKAGE kit provides the basic parts for a steering system. These are the same components used in both the RADIO CONTROLLED VEHICLE and the FOLLOW THE WHITE LINE VEHICLE.



SECTION 1: COMPONENTS & MATERIAL REQUIRED

1.1 COMPONENTS SUPPLIED

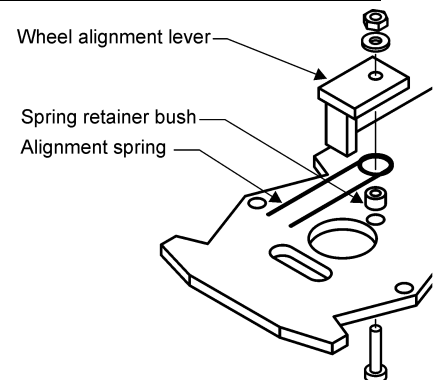
The following components are supplied in the kit:

- 2 x Knuckle – Front wheel (LH & RH)
- 2 x Shaft – Steel – Knurled – 3x20mm
- 1 x Spring – Wheel alignment
- 1 x Steering link
- 2 x Wheel – 35mm dia – 3.1mm hole (W35C)

SECTION 2: STEERING SETUP

2.1 WHEEL ALIGNMENT / CENTERING MECHANISM

- Make a bushing to fit inside the alignment spring's "eye"
- Fabricate a wheel alignment lever as shown in the drawing: the hole is to suit a small bolt, and the 7mm wide part fits between the legs of the alignment spring
- Assemble the alignment spring, bush and lever to the platform, with the spring straddling the lever's leg. Use a small bolt, nut and washer - at this point, leave the nut finger tight.



CENTERING MECHANISM

NOTE: Ensure that the spring remains engaged in the extremes of movement. i.e. not only at the centred position, but also at extreme travel in both directions.



SCORPIO TECHNOLOGY VICTORIA PTY. LTD.

A.B.N. 34 056 661 422

17 Inverell Ave., Mt. Waverley, Vic. 3149

Tel: (03) 9802 9913

Fax: (03) 9887 8158

Revised: 20 August 2015

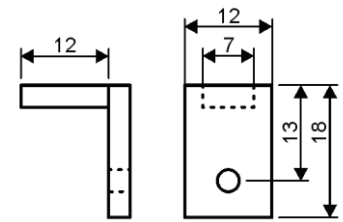
www.scorpiotechnology.com.au

sales@scorpiotechnology.com.au

NOTE: The legs of the centering spring act on the steering link's lug. When making the platform to mount the steering on, adequate clearance must be provided for movement of the lug when the steering is turned. Slots or holes may need to be cut to allow adequate travel of this steering lug and the alignment lever.

2.2 GENERAL STEERING SET-UP

- Mount the knuckles onto the lower platform.
- Assemble the steering link to the steering knuckles.
- Install the upper plate.
- When the rest of the front end is assembled, ensure the legs of the spring straddle the lower lug on the steering link
- Using the wheel alignment lever, adjust the wheels to point straight ahead. Then tighten the nut, to hold that position



WHEEL ALIGNMENT LEVER