

### Features

- Integral flange.
- Right drain.
- Integral apron.
- Integral lumbar support.
- 60" (1524 mm) x 32" (813 mm) x 15-1/2" (394 mm)

### Material

- Cast iron with Safeguard® finish.

### Installation

- Alcove

### Required Accessories

K-7214

or

K-37383 30" Rough-in Cable Bath Drain

### Recommended Accessories

K-952

K-10044

K-14426 35° Bath spout

K-14427 90° Bath spout

K-15137

K-15138

K-16246



ADA

CSA B651

OBC

### Codes/Standards

ASME A112.19.1/CSA B45.2

ASTM F462

ADA

ICC/ANSI A117.1

CSA B651

OBC






### KOHLER® Lifetime Limited Warranty for Cast Iron Components

See website for detailed warranty information.

### Available Color/Finishes

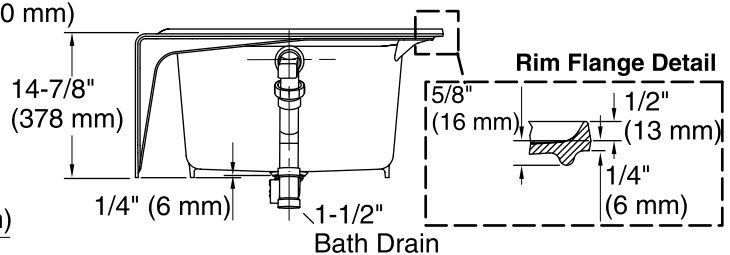
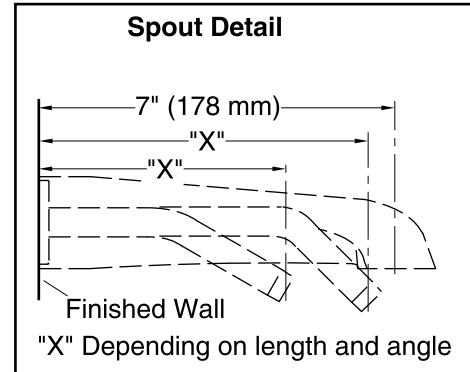
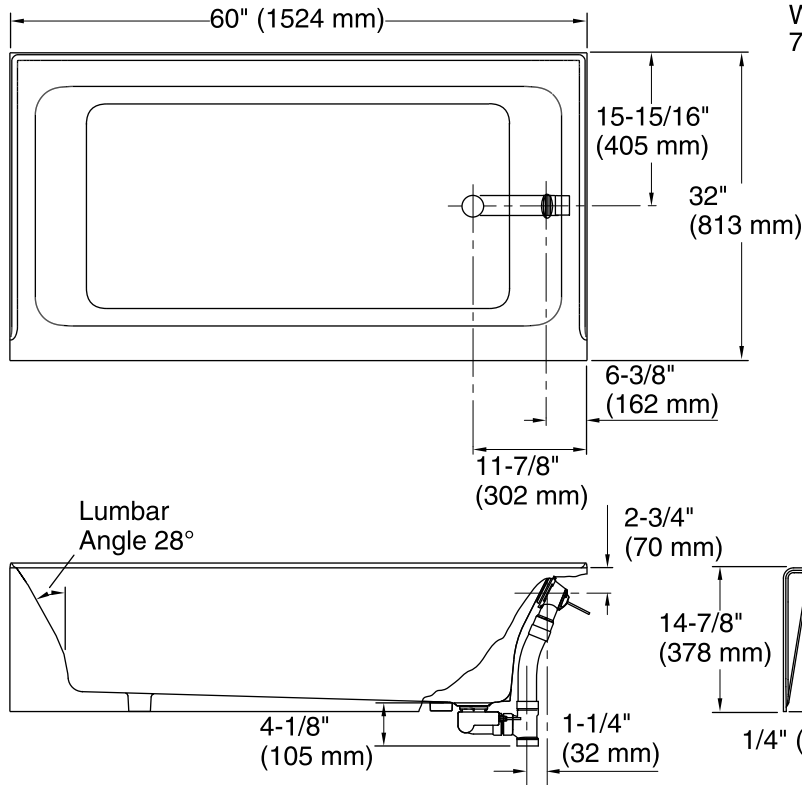
*Color tiles intended for reference only.*

Color	Code	Description
-------	------	-------------

	0	White
	96	Biscuit
	47	Almond
	NY	Dune
	G9	Sandbar

No change in measurements if connected with drain illustrated. (K-37383)

**Note:** To clear the bath rim end wall, a minimum 7" (178 mm) bath spout is recommended. Water flow from angled bath spouts less than 7" (178 mm) may also provide needed clearance.



## Technical Information

All product dimensions are nominal.

Installation:	3-Wall Alcove
Drain location:	Right
Basin area, bottom:	43-7/8" x 21" (1114 mm x 533 mm)
Basin area, top:	51-1/4" x 23-5/16" (1302 mm x 592 mm)
Weight:	327 lbs (148.3 kg)
Minimum floor load:	52 lbs/ft <sup>2</sup> (253.9 kg/m <sup>2</sup> )
Water depth:	11-5/16" (287 mm)
Water capacity:	44 gal (166.6 L)

## Notes

Measure your actual product for roughing-in details.

Install this product according to the installation guide.

Hot water supply should be 70% of capacity or greater. Installations will vary.

ADA, OBC, CSA B651 compliant when installed to the specific requirements of these regulations.