



DEPARTMENT OF REGULATORY AND ECONOMIC RESOURCES (RER)
BOARD AND CODE ADMINISTRATION DIVISION

MIAMI-DADE COUNTY
PRODUCT CONTROL SECTION
11805 SW 26 Street, Room 208
T (786) 315-2590 F (786) 315-2599
www.miamidade.gov/economy

NOTICE OF ACCEPTANCE (NOA)

Ultimate Door of Palm Beach, Inc.
2800 2nd Avenue North
Lake Worth, FL 33461

SCOPE:

This NOA is being issued under the applicable rules and regulations governing the use of construction materials. The documentation submitted has been reviewed and accepted by Miami-Dade County RER - Product Control Section to be used in Miami Dade County and other areas where allowed by the Authority Having Jurisdiction (AHJ).

This NOA shall not be valid after the expiration date stated below. The Miami-Dade County Product Control Section (In Miami Dade County) and/or the AHJ (in areas other than Miami Dade County) reserve the right to have this product or material tested for quality assurance purposes. If this product or material fails to perform in the accepted manner, the manufacturer will incur the expense of such testing and the AHJ may immediately revoke, modify, or suspend the use of such product or material within their jurisdiction. RER reserves the right to revoke this acceptance, if it is determined by Miami-Dade County Product Control Section that this product or material fails to meet the requirements of the applicable building code.

This product is approved as described herein, and has been designed to comply with the Florida Building Code, including the High Velocity Hurricane Zone.

DESCRIPTION: Series "Direct Set" Aluminum Clad Wood Fixed Window – L.M.I.

APPROVAL DOCUMENT: Drawing No. 1749, titled "Aluminum Clad Wood Impact Direct Glazed Fixed Window", sheets 1 through 5 of 5, dated 04/17/12, prepared by W.W. Schaefer Engineering & Consulting, P.A., signed and sealed by Warren W. Schaefer, P.E., bearing the Miami-Dade County Product Control Revision Stamp with the Notice of Acceptance number and expiration date by the Miami-Dade County Product Control Section.

MISSILE IMPACT RATING: Large and Small Missile Impact Resistant

LABELING: Each unit shall bear a permanent label with the manufacturer's name or logo, city, state, model/series, and following statement: "Miami-Dade County Product Control Approved", unless otherwise noted herein.

RENEWAL of this NOA shall be considered after a renewal application has been filed and there has been no change in the applicable building code negatively affecting the performance of this product.

TERMINATION of this NOA will occur after the expiration date or if there has been a revision or change in the materials, use, and/or manufacture of the product or process. Misuse of this NOA as an endorsement of any product, for sales, advertising or any other purposes shall automatically terminate this NOA. Failure to comply with any section of this NOA shall be cause for termination and removal of NOA.

ADVERTISEMENT: The NOA number preceded by the words Miami-Dade County, Florida, and followed by the expiration date may be displayed in advertising literature. If any portion of the NOA is displayed, then it shall be done in its entirety.

INSPECTION: A copy of this entire NOA shall be provided to the user by the manufacturer or its distributors and shall be available for inspection at the job site at the request of the Building Official.

This NOA revises NOA# 12-0410.12 and consists of this page 1 and evidence pages E-1 and E-2, as well as approval document mentioned above.

The submitted documentation was reviewed by Manuel Perez, P.E.



Handwritten signature and date: MP 6/16/14

NOA No. 14-0424.03
Expiration Date: April 16, 2017
Approval Date: June 26, 2014
Page 1

Ultimate Door of Palm Beach, Inc.

NOTICE OF ACCEPTANCE: EVIDENCE SUBMITTED

A. DRAWINGS

1. Manufacturer's die drawings and sections.
2. Drawing No. 1749, titled "Aluminum Clad Wood Impact Direct Glazed Fixed Window", sheets 1 through 5 of 5, dated 04/17/12, prepared by W.W. Schaefer Engineering & Consulting, P.A., signed and sealed by Warren W. Schaefer, P.E.
(Submitted under previous NOA# 12-0410.12)

B. TESTS

1. Test reports on:
 - 1) Air Infiltration Test, per FBC, TAS 202-94.
 - 2) Uniform Static Air Pressure Test Loading, per FBC, TAS 202-94.
 - 3) Water Resistance Test, per FBC, TAS 202-94.
 - 4) Large Missile Impact Test, per FBC, TAS 201-94.
 - 5) Cyclic Wind Pressure Loading, per FBC, TAS 203-94.along with marked-up drawings and installation diagram of four (rectangular and curved-top) direct set wood fixed windows, and one rectangular mulled configuration, prepared by Architectural Testing, Test Report No. B5667.01-450-18A, dated 05/03/12, signed and sealed by Vinu J. Abraham, P.E.
(Submitted under previous NOA# 12-0410.12)

C. CALCULATIONS

1. Anchor verification calculations and structural analysis complying with **FBC-2010**, prepared by W.W. Schaefer Engineering and Consulting P.A., dated 05/27/11, signed and sealed by Warren W. Schaefer, P.E.
(Submitted under previous NOA# 12-0410.12)
2. Glazing complies with **ASTM E1300-04**

D. QUALITY ASSURANCE

1. Miami-Dade Department of Regulatory and Economic Resources (RER)

E. MATERIAL CERTIFICATIONS

1. Notice of Acceptance No. **11-0624.02** issued to **E.I. DuPont DeNemours & Co., Inc.** for their "**DuPont SentryGlas® Interlayer**" dated 08/25/11, expiring on 01/14/17.


Manuel Perez, P.E.
Product Control Examiner
NOA No. 14-0424.03

Expiration Date: April 16, 2017
Approval Date: June 26, 2014

Ultimate Door of Palm Beach, Inc.

NOTICE OF ACCEPTANCE: EVIDENCE SUBMITTED

F. STATEMENTS

1. Statement letter of conformance, complying with **FBC-2010** and **FBC 5th Edition (2014)**, dated April 10, 2014, issued by W. W. Schaefer Engineering & Consulting, P.A., signed and sealed by Warren W. Schaefer, P.E.
2. Statement letter of no financial interest, issued by W.W. Schaefer Engineering and Consulting P.A, dated 04/17/12, signed and sealed by Warren W. Schaefer, P.E. *(Submitted under previous NOA# 12-0410.12)*
3. Laboratory compliance letter for Test Report No. **B5667.01-450-18A** , issued by Architectural Testing, dated 05/03/12, signed and sealed by Vinu J. Abraham, P.E. *(Submitted under previous NOA# 12-0410.12)*

G. OTHERS

1. Notice of Acceptance No. **12-0410.12**, issued to Ultimate Door of Palm Beach, Inc. for their Series "Direct Set" Aluminum Clad Wood Fixed Window – L.M.I., approved on 06/14/12 and expiring on 04/16/17.



Manuel Perez, P.E.

Product Control Examiner

NOA No. 14-0424.03

Expiration Date: April 16, 2017

Approval Date: June 26, 2014

GENERAL NOTES:

1. THESE WINDOW SYSTEMS HAVE BEEN TESTED, ANALYZED & APPROVED FOR DESIGN PRESSURES NOT TO EXCEED THOSE SHOWN IN THE "ALLOWABLE DESIGN PRESSURE TABLE(S).
2. OPENINGS, BUCKING & BUCKING FASTENERS MUST BE PROPERLY DESIGNED & INSTALLED TO TRANSFER WIND LOADS TO THE STRUCTURE.
3. ALL HARDWARE & FASTENERS SHALL BE IN ACCORDANCE WITH THESE DRAWINGS & SHALL NOT VARY UNLESS SPECIFICALLY MENTIONED ON THE DRAWINGS. SPECIFIED ANCHOR EMBED TO BASE MATERIAL SHALL BE BEYOND WALL FINISH OR STUCCO.
4. THE DETAILS & SPECIFICATIONS SHOWN HEREIN REPRESENT THE PRODUCTS TESTED & PROPOSED FOR WATER, AIR, IMPACT, CYCLIC & UNIFORM STATIC AIR PRESSURE TESTING IN CONFORMANCE WITH THE FLORIDA BUILDING CODE PROTOCOLS TAS-201, 202 & 203 FOR LARGE MISSILE IMPACT WINDOWS.
5. THESE WINDOW SYSTEMS HAVE BEEN DESIGNED IN ACCORDANCE WITH AND MEET THE REQUIREMENTS OF THE FLORIDA BUILDING CODE (FBC) INCLUDING HIGH VELOCITY HURRICANE ZONES (HVHZ).
6. IMPACT SHUTTERS ARE NOT REQUIRED WITH THESE WINDOWS.
7. ALL ANCHORS SECURING WINDOW FRAME TO PRESSURE TREATED BUCKS OR WOOD FRAMING SHALL BE CAPABLE OF RESISTING CORROSION CAUSED BY THE PRESSURE TREATING CHEMICALS IN THE WOOD.
8. DETERMINE THE POSITIVE & NEGATIVE DESIGN LOADS TO USE WHEN REFERENCING THESE DOCUMENTS IN ACCORDANCE WITH THE GOVERNING CODE AND GOVERNING WIND VELOCITY. FOR WIND LOAD CALCULATIONS IN ACCORDANCE WITH THE FLORIDA BUILDING CODE, A DIRECTIONALITY FACTOR OF $K_d = 0.85$ MAY BE APPLIED PER THE ASCE-7 STANDARD.
9. NO INCREASE IN ALLOWABLE STRESS HAS BEEN USED IN THE CERTIFICATION OF THIS PRODUCT. WIND LOAD DURATION FACTOR $C_d = 1.6$ WAS USED FOR WOOD SCREW ANALYSIS ONLY.
10. MATERIALS, INCLUDING BUT NOT LIMITED TO STEEL SCREWS, THAT COME INTO CONTACT WITH OTHER DISSIMILAR MATERIALS SHALL MEET THE REQUIREMENTS OF FLORIDA BUILDING CODE CHAPTER 20.
11. ALL WOOD MEMBERS OF WINDOWS THAT MAY POSSIBLY COME INTO CONTACT WITH MASONRY OR CONCRETE SUBSTRATES, ARE SUBJECT TO MOISTURE &/OR ARE SUBJECT TO THE OUTSIDE ENVIRONMENT SHALL BE OF AN APPROVED DURABLE SPECIES OR BE TREATED IN AN APPROVED METHOD WITH AN APPROVED PRESERVATIVE PER FBC SECTION 2326.

CORNER CONSTRUCTION:

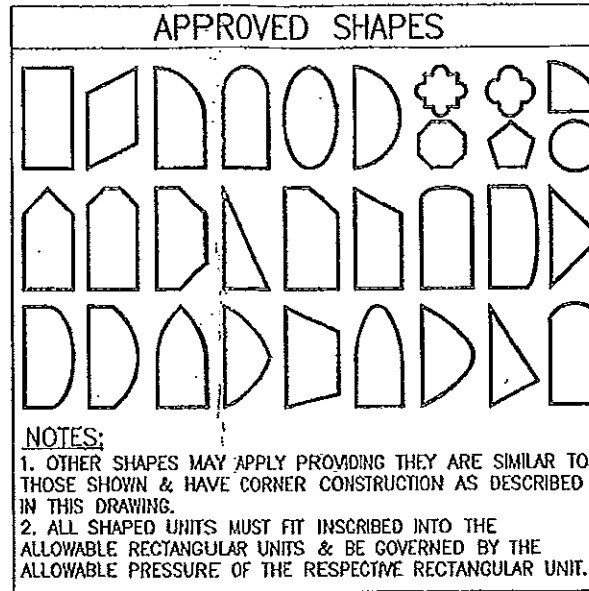
WOOD FRAME: MEMBERS ARE COPEd, BUTTED AND JOINED WITH (1)ONE NO. 10 X 3 1/2" GALVANIZED WOOD SCREW THROUGH THE HORIZONTAL FRAME MEMBERS INTO THE VERTICAL MEMBERS & (2)TWO NO. 8 X 2 1/2" GALVANIZED WOOD SCREWS THROUGH THE VERTICAL MEMBER INTO THE HORIZONTAL MEMBERS. CORNERS SEALED WITH DOW 795.

FRAME CLAD: MEMBERS ARE MITERED AND JOINED WITH (2)TWO NO. 6 X 2" SMS SCREWS INTO THE SCREW SPLINE. CORNERS ARE SEALED WITH DOW 795 SILICONE SEALANT.

THESE DRAWINGS ARE APPLICABLE ONLY TO THE PRODUCT SPECIFIED. THEY MAY NOT BE USED FOR THE ASSEMBLY AND/OR INSTALLATION OF ANY OTHER PRODUCT NOR MAY THEY BE USED FOR NATIONAL AND/OR LOCAL APPROVAL OF ANY PRODUCT NOT PRODUCED BY THE MANUFACTURER STATED ON THESE DRAWINGS.

DRAWN BY: W.R.J.L.	CHECKED BY: M.W.S.
PLOT: 1=24	DATE: 04/17/12

NO.	REVISION DESCRIPTION	BY	DATE



FRAME ANCHOR REQUIREMENTS TABLE

OPENING TYPE (SUBSTRATE)	FRAME/FIN TO OPENING FASTENER TYPE	MINIMUM EMBED	MINIMUM EDGE DIST.
FRAME SCREWS			
MIN. 2X4 WOOD FRAME OR BUCK (MIN. GR. 3 & G=0.55)	NO. 12 SMS OR WOOD SCREW	1 1/4"	3/4"
MIN. 16 GA. 33 KSI METAL STUD	NO. 12 GR. 5 SELF TAP/DRILL SCREW	FULL	1/2"
MIN. 1/8" THK A36 STEEL	NO. 12 GR. 5 SELF TAP/DRILL SCREW	FULL	1/2"
MIN. 1/8" THK 6063-T5 ALUM.	NO. 12 GR. 5 SELF TAP/DRILL SCREW	FULL	1/2"
MIN. C-90 CMU OR 2500 PSI CONCRETE	(1) 1/4" CONCRETE SCREW	1 1/4"	2"
NAILING FIN FASTENERS			
MIN. 2X4 WOOD FRAME OR BUCK (MIN. GR. 3 & G=0.55)	NO. 8 SMS SCREW	1 1/8"	1/2"
MIN. 1/8" THK A36 STEEL	NO. 8 GR. 5 SELF TAP/DRILL SCREW	FULL	1/2"
MIN. 1/8" THK 6063-T5 ALUM.	NO. 8 GR. 5 SELF TAP/DRILL SCREW	FULL	1/2"

(1) CONCRETE SCREWS SHALL BE ELCO ULTRACONS (C.S.), ELCO CRETE-FLEX (S.S.), ITW RAMSET/RED HEAD TAPCONS (C.S. OR S.S.) OR HILTI KWIK-CON II (C.S. OR S.S.).

PRODUCT REVISED as complying with the Florida Building Code Acceptance No 14-0424.03 Expiration Date April 16, 2017

By *Manuel Pera*
Miami Dade Product Control

PRODUCT REVISED as complying with the Florida Building Code Acceptance No 12-0410-12 Expiration Date 04/16/2017

By *Warren W. Schaefer*
Miami Dade Product Control



DRAWING TITLE: ALUMINUM CLAD WOOD IMPACT DIRECT GLAZED FIXED WINDOW

MANUFACTURER: ULTIMATE DOOR OF PALM BEACH, INC.
2800 2ND AVE. NORTH
LAKE WORTH, FL 33461
561-642-2828

CONSULTANTS: W. SCHAEFER ENGINEERING & CONSULTING, P.A. (CA 6809)
7480 150TH COURT NORTH
PALM BEACH GARDENS, FL 33418
PHONE: 561-744-3424

CERTIFICATION: APR 17 2012 WARREN W. SCHAEFER P.E. P.E. NO. 44135

DRAWING NO. 1749
SHEET NO. 1 OF 5

ALLOWABLE SINGLE WINDOW SIZE/PRESSURE TABLE (GLASS OPTIONS 1 & 3)

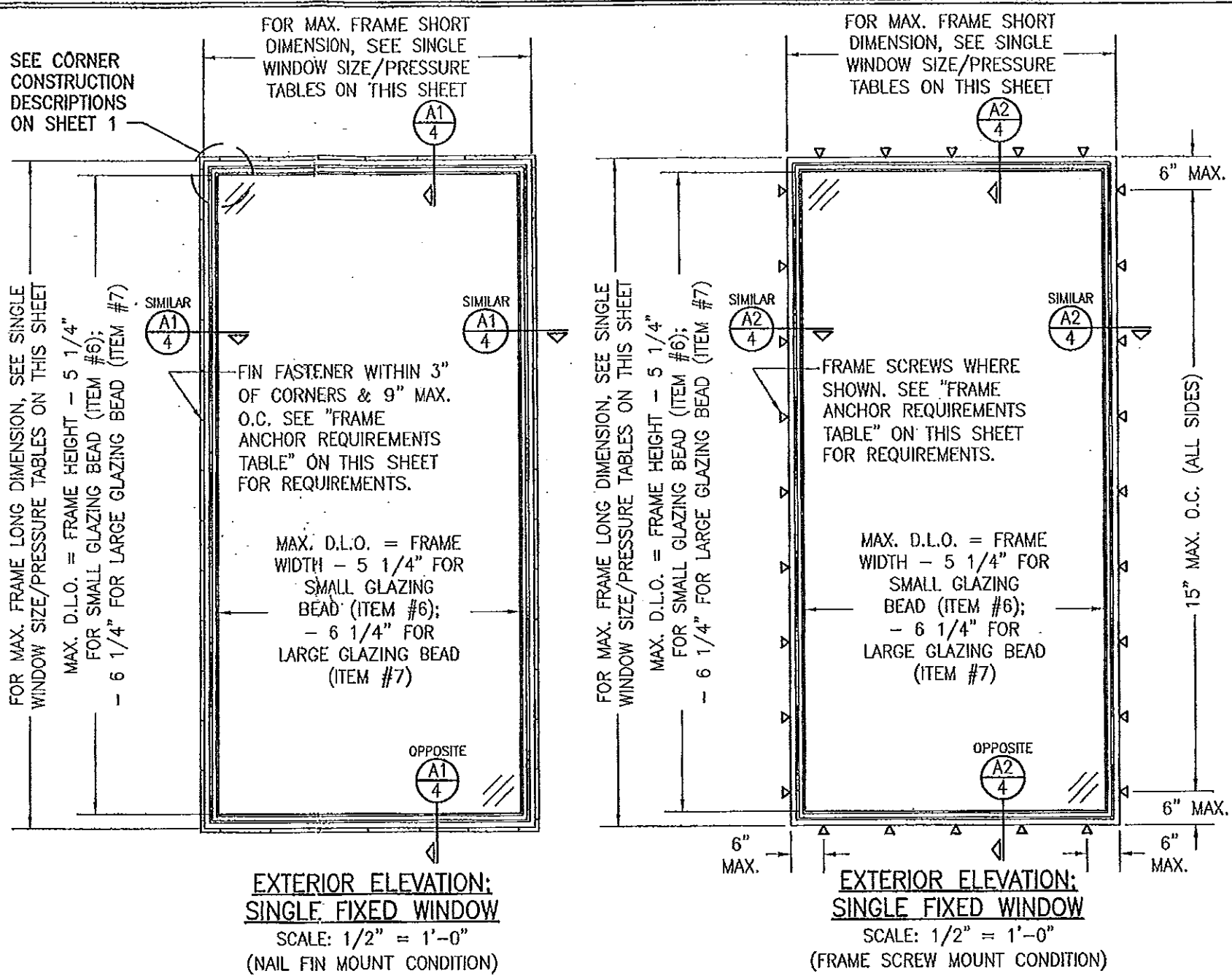
MAXIMUM FRAME LONG DIMENSION (IN.)	MAXIMUM FRAME SHORT DIMENSION (IN.)	ALLOWABLE PRESSURE (PSF)	
		POS.	NEG.
144	32	65.0	65.0
	30	65.0	69.3
	27	65.0	75.0
132	34	65.0	66.7
	30	65.0	75.0
120	38	65.0	65.7
	36	65.0	69.3
108	42	65.0	66.0
	37	65.0	75.0
100	46	63.8	63.8
	42	65.0	70.5
96	38	65.0	75.0
	48	65.0	65.0
	42	65.0	71.3
90	39	65.0	75.0
	48	65.0	66.5
84	42	65.0	72.7
	40	65.0	75.0
	48	65.0	68.3
78	42	65.0	74.3
	41	65.0	75.0
72	48	65.0	70.4
	42	65.0	75.0
66	48	65.0	73.1
	45	65.0	75.0

1. WINDOW SIZES SHOWN ARE MAXIMUM SIZES. SMALLER SIZES SHALL APPLY TO LOADS EQUAL TO THE NEAREST LARGER SIZE SHOWN IN TABLE.
 2. LONG DIMENSION MAY BE HORIZONTAL OR VERTICAL.
 3. DIMENSIONS SHOWN ARE +/- 1/2".

ALLOWABLE SINGLE WINDOW SIZE/PRESSURE TABLE (GLASS OPTIONS 2 & 4)

MAXIMUM FRAME LONG DIMENSION (IN.)	MAXIMUM FRAME SHORT DIMENSION (IN.)	ALLOWABLE PRESSURE (PSF)	
		POS.	NEG.
144	50	75.0	75.0
	44	75.0	85.0
132	54 1/2	75.0	75.0
	48	75.0	85.0
120	60	75.0	75.0
	52	75.0	85.0
108	66 3/4	75.0	75.0
	52	75.0	85.0
100	72	75.0	75.0
	52	75.0	85.0

1. WINDOW SIZES SHOWN ARE MAXIMUM SIZES. SMALLER SIZES SHALL APPLY TO LOADS EQUAL TO THE NEAREST LARGER SIZE SHOWN IN TABLE.
 2. LONG DIMENSION MAY BE HORIZONTAL OR VERTICAL.



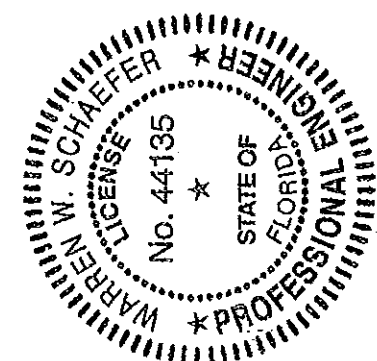
EXTERIOR ELEVATION: SINGLE FIXED WINDOW
 SCALE: 1/2" = 1'-0"
 (NAIL FIN MOUNT CONDITION)

EXTERIOR ELEVATION: SINGLE FIXED WINDOW
 SCALE: 1/2" = 1'-0"
 (FRAME SCREW MOUNT CONDITION)

RECTANGULAR WINDOWS SHOWN. SHAPED WINDOWS ALSO APPLY. SEE "APPROVED SHAPES TABLE ON SHEET 1". ANCHORING OF SHAPED WINDOWS IS THE SAME WITH REQUIRED ANCHOR SPACING ALONG THE FRAME CIRCUMFERENCE BEING THE SAME AS SPECIFIED FOR A STRAIGHT FRAME.

PRODUCT REVISED as complying with the Florida Building Code
 Acceptance No. 14-0424-03
 Expiration Date April 16, 2017
 By *Manuel Perez*
 Miami Dade Product Control

PRODUCT REVISED as complying with the Florida Building Code
 Acceptance No. 12-0410-12
 Expiration Date 04/16/2017
 By *Manuel Perez*
 Miami Dade Product Control

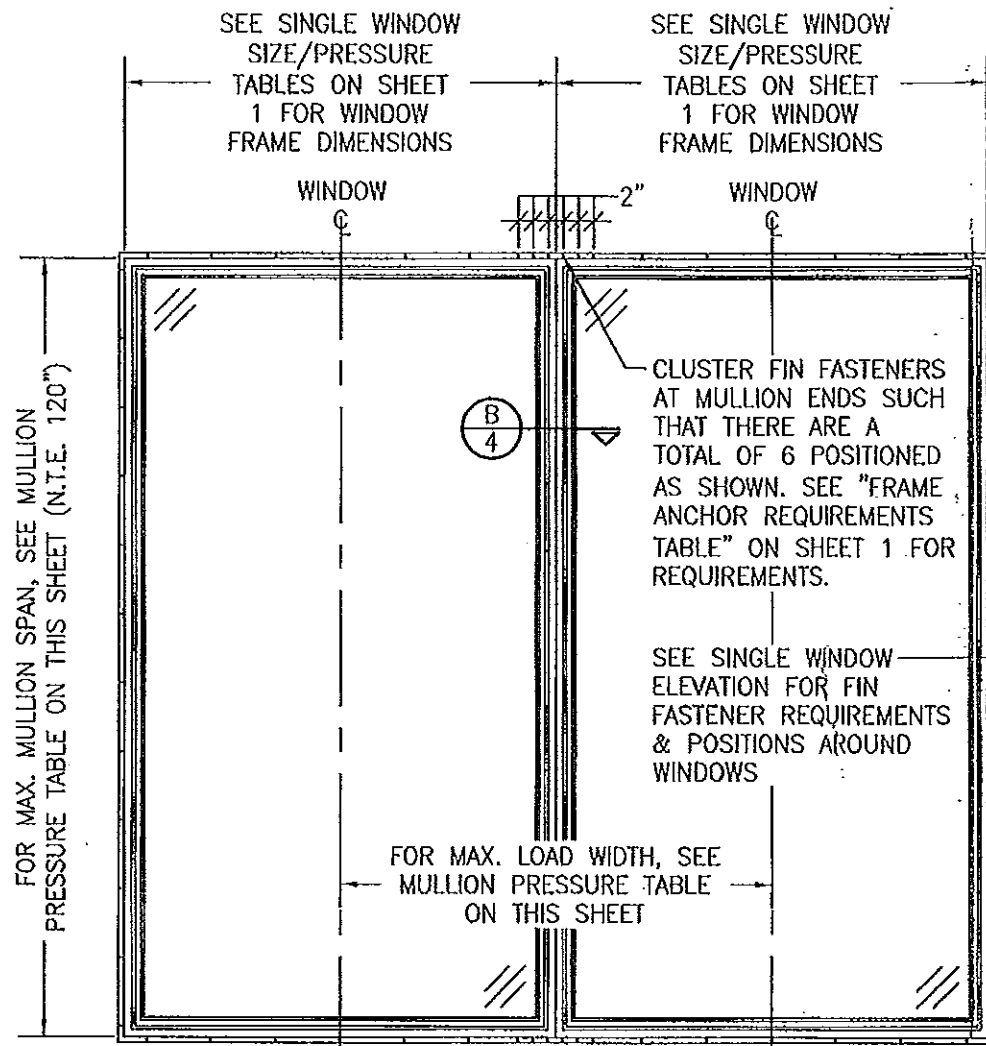


DRAWN BY: W.R.M. PLOT: 1-24 DATE: 04/17/12	CHECKED BY: W.H.S. DATE: 04/17/12
NO. REVISION DESCRIPTION	
DRAWING TITLE: ALUMINUM CLAD WOOD IMPACT DIRECT GLAZED FIXED WINDOW	
MANUFACTURER: ULTIMATE DOOR OF PALM BEACH, INC. 2800 2ND AVE. NORTH LAKE WORTH, FL 33461 561-642-2828	
CONSULTANTS: W. W. SCHAEFER ENGINEERING & CONSULTING, P.A. (CA 6809) 7480 150TH COURT NORTH PALM BEACH GARDENS, FL 33418 PHONE: 561-744-3424	
CERTIFICATION: APR 17 2012 WARREN W. SCHAEFER, P.E. P.E. NO. 44135	
DRAWING NO. 1749	REV.
SHEET NO. 2 OF 5	

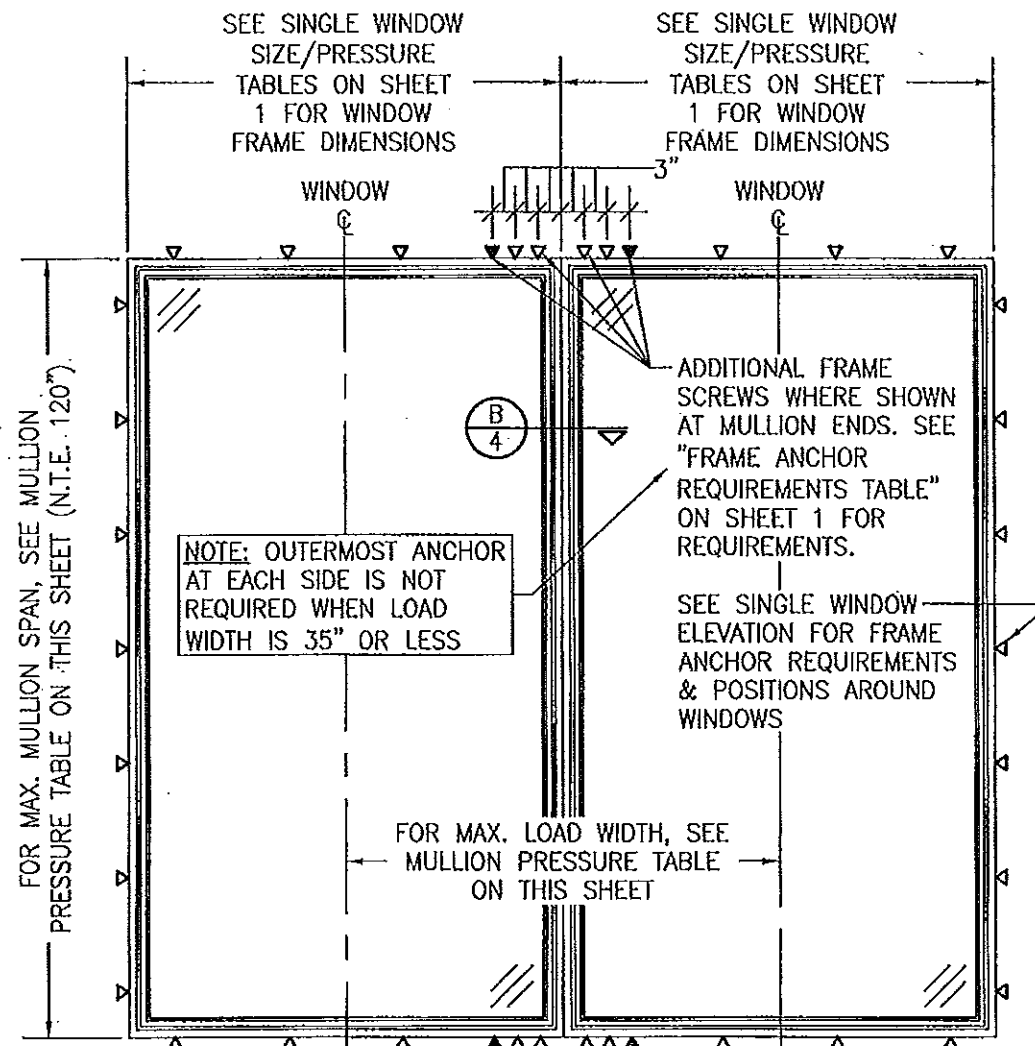
MULLION ALLOWABLE DESIGN PRESSURE

MAXIMUM MULLION SPAN (IN.)	MAXIMUM LOAD WIDTH (IN.)	ALLOWABLE PRESSURE (PSF)	
		POS.	NEG.
120	60	45.5	45.5
	54	49.8	49.8
	48	55.0	55.0
	42	62.2	62.2
	40	65.0	65.0
	36	65.0	70.8
108	33	65.0	75.0
	66	52.5	52.5
	60	55.6	55.6
	54	59.4	59.4
	48	64.5	64.5
	42	65.0	71.2
102	39	65.0	75.0
	70	55.4	55.4
	66	57.1	57.1
	60	60.2	60.2
	54	64.2	64.2
	48	65.0	69.4
96	43	65.0	75.0
	72	60.2	60.2
	66	62.5	62.5
	60	65.0	65.7
90	54	65.0	69.8
	48	65.0	75.0
	72	65.0	66.9
84	66	65.0	69.1
	60	65.0	72.2
	55	65.0	75.0

NOTES:
 1. SEE ELEVATIONS FOR DIMENSIONING OF LOAD WIDTH.
 2. ALLOWABLE UNIT PRESSURE SHALL BE THE LESSER OF THE PRESSURE SHOWN IN THIS TABLE & THAT SPECIFIED FOR THE INDIVIDUAL WINDOW.



**EXTERIOR ELEVATION:
 MULTIPLE FIXED WINDOWS**
 SCALE: 1/2" = 1'-0"
 (NAIL FIN MOUNT CONDITION)



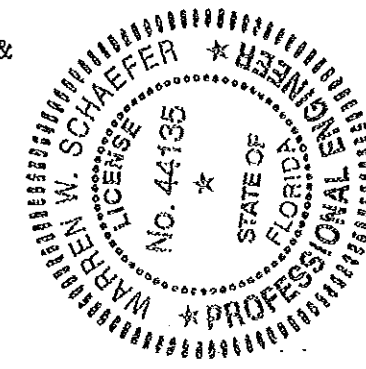
**EXTERIOR ELEVATION:
 MULTIPLE FIXED WINDOWS**
 SCALE: 1/2" = 1'-0"
 (FRAME SCREW MOUNT CONDITION)

MULTIPLE UNIT NOTES:

1. FOR ALL DETAIL NOT SHOWN, SEE SINGLE WINDOW ELEVATIONS.
2. MULLION MAY BE HORIZONTAL OR VERTICAL PROVIDING UNIT SIZES ARE RESTRICTED AS SHOWN IN THIS ELEVATION.
3. WINDOWS MAY BE STACKED HORIZONTAL OR VERTICAL. TO INSURE THAT THE DEAD WEIGHT OF THE ABOVE WINDOW(S) WILL NOT CAUSE UNDO STRESS ON THE BELOW WINDOW, WHEN VERTICALLY STACKED, THE MANUFACTURER/INSTALLER SHALL LIMIT THE SAG OF THE HORIZONTAL MULLION TO MAX. 1/8".
4. THERE IS NO LIMIT ON THE NUMBER OF WINDOWS THAT MAY BE COMBINED IN ONE DIRECTION INTO ONE OPENING PROVIDING THE OPENING IS DESIGNED TO SUPPORT ALL LOADS TRANSFERRED FROM THE WINDOWS & THEIR MULLIONS.
5. INDIVIDUAL WINDOW SIZES SHALL BE RESTRICTED AS SPECIFIED IN THE SINGLE WINDOW ELEVATIONS.
6. RECTANGULAR WINDOWS SHOWN. SHAPED WINDOWS ALSO APPLY UNDER THE SAME CONDITIONS SHOWN FOR RECTANGULAR.

PRODUCT REVISED
 as complying with the Florida
 Building Code
 Acceptance No. 14-0424.03
 Expiration Date April 16, 2017
 By *Manuel Perez*
 Miami Dade Product Control

PRODUCT REVISED
 as complying with the Florida
 Building Code
 Acceptance No. 12-0410.12
 Expiration Date 04/16/2017
 By *Warren W. Schaefer*
 Miami Dade Product Control



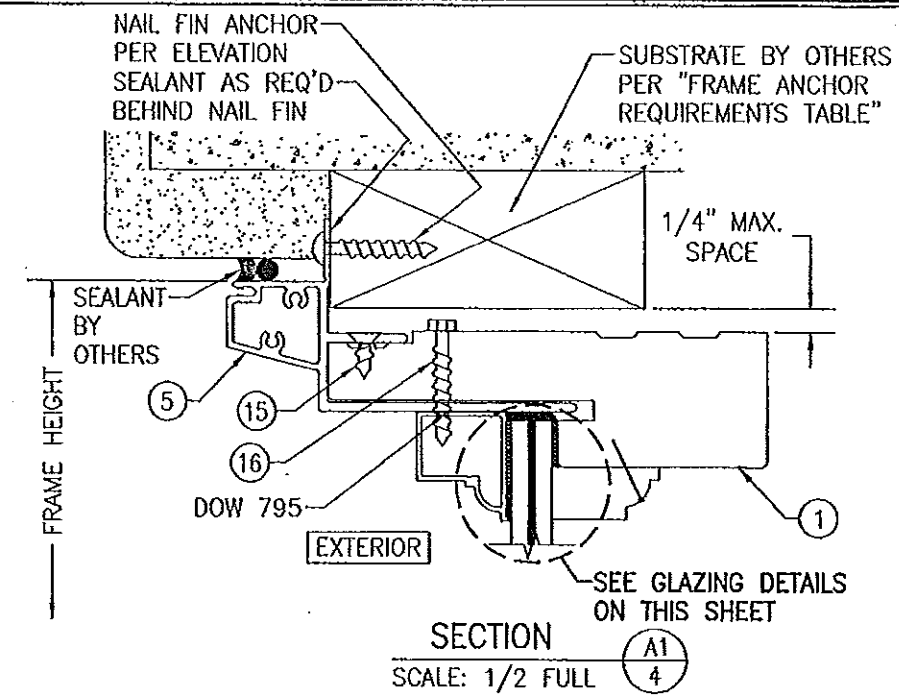
DRAWN BY: W.R.M.	CHECKED BY: W.N.S.
PLOT: 1-24	DATE: 04/17/12
DATE	
BY	
REVISION DESCRIPTION	
NO.	

DRAWING TITLE: ALUMINUM CLAD WOOD IMPACT DIRECT GLAZED FIXED WINDOW

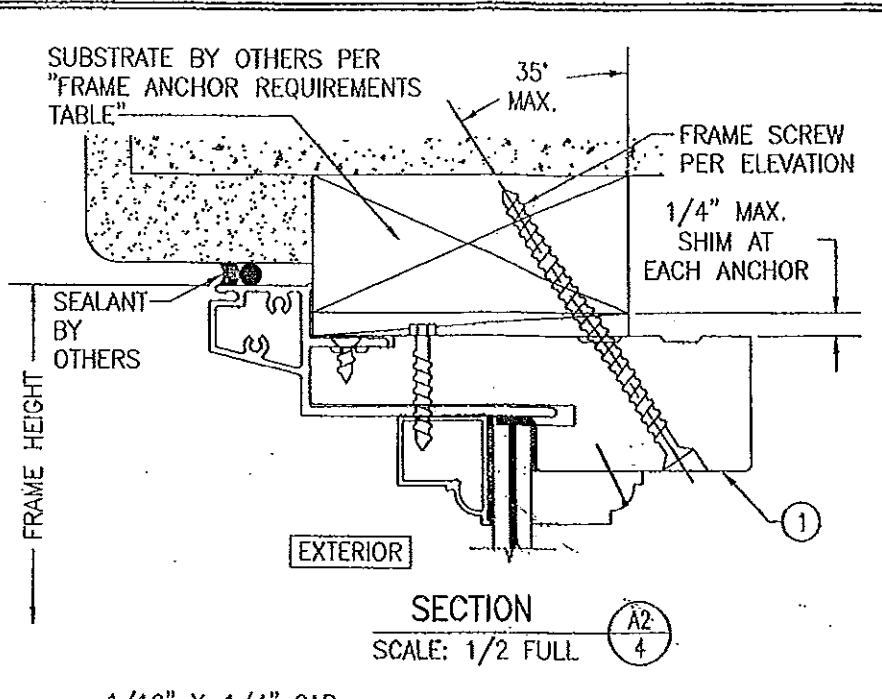
MANUFACTURER: ULTIMATE DOOR OF PALM BEACH, INC.
 2800 2ND AVE. NORTH
 LAKE WORTH, FL 33461
 561-642-2828

CONSULTANTS: W. W. SCHAEFER ENGINEERING & CONSULTING, P.A. (CA 6809)
 7480 150TH COURT NORTH
 PALM BEACH GARDENS, FL 33418
 PHONE: 561-744-3424

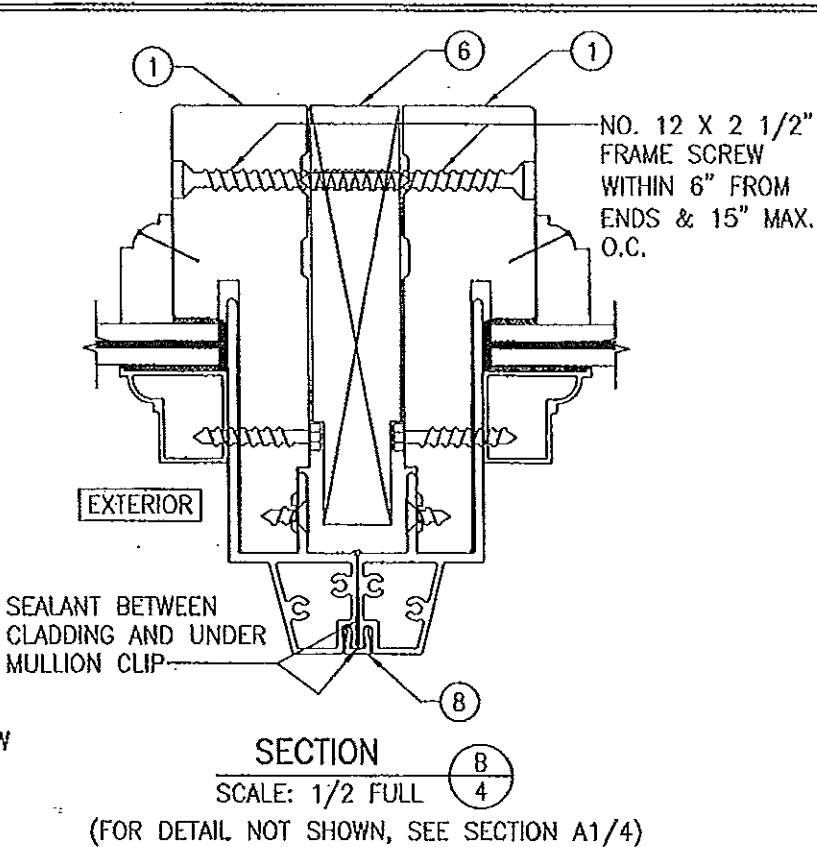
CERTIFICATION	
DRAWING NO. 1749	REV.
SHEET NO. 3	OF 5



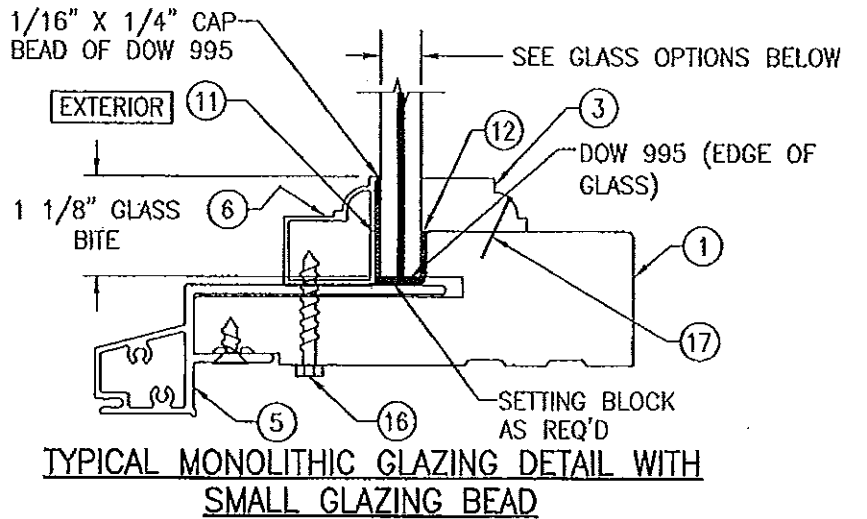
SECTION A1
SCALE: 1/2 FULL



SECTION A2
SCALE: 1/2 FULL

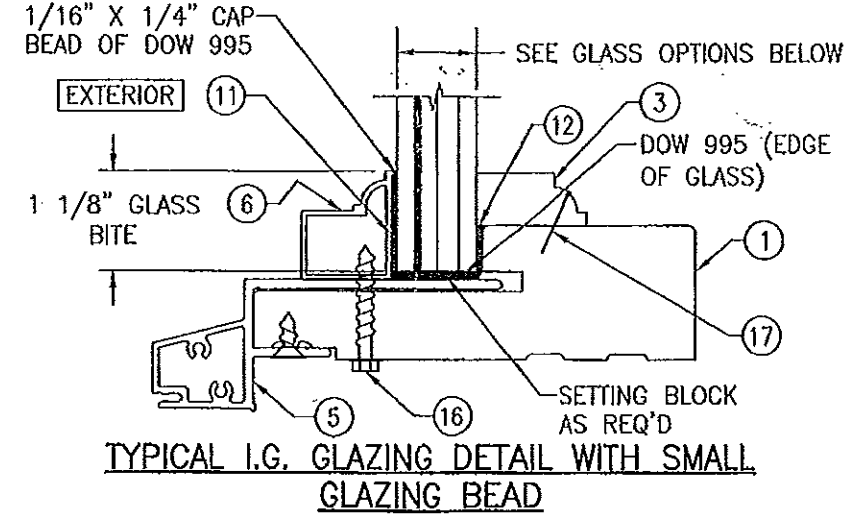


SECTION B
SCALE: 1/2 FULL
(FOR DETAIL NOT SHOWN, SEE SECTION A1/4)



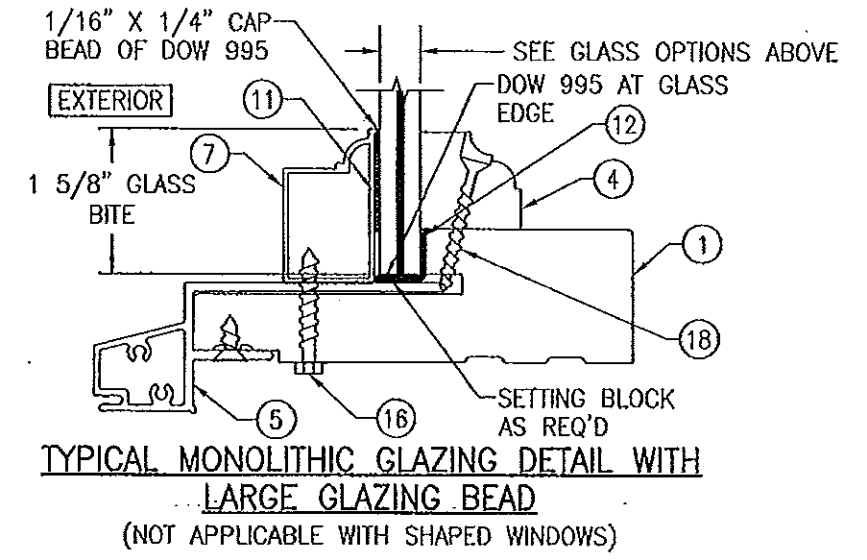
TYPICAL MONOLITHIC GLAZING DETAIL WITH SMALL GLAZING BEAD

MONOLITHIC GLASS OPTIONS:
 OPTION 1: 7/16" LAMINATED GLASS (3/16" AN./0.090 DUPONT SG/3/16" AN.)
 OPTION 2: 7/16" LAMINATED GLASS (3/16" HT. ST./0.090 DUPONT SG/3/16" HT. ST.)

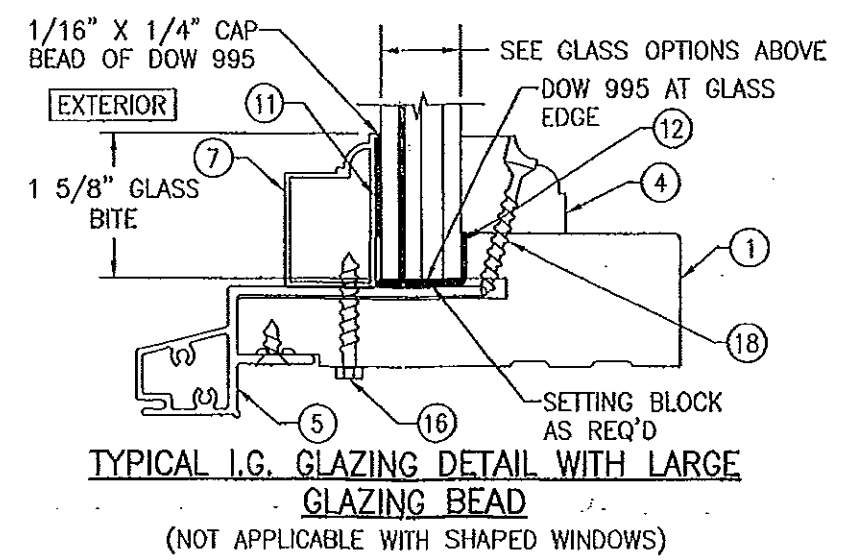


TYPICAL I.G. GLAZING DETAIL WITH SMALL GLAZING BEAD

I.G. GLASS OPTIONS:
 OPTION 3: 7/8" LAMINATED GLASS (3/16" AN./0.090 DUPONT SG/3/16" AN./1/4" AIR SPACE/3/16" TEMP.)
 OPTION 4: 7/8" LAMINATED GLASS (3/16" HT. ST./0.090 DUPONT SG/3/16" HT. ST./1/4" AIR SPACE/3/16" TEMP.)



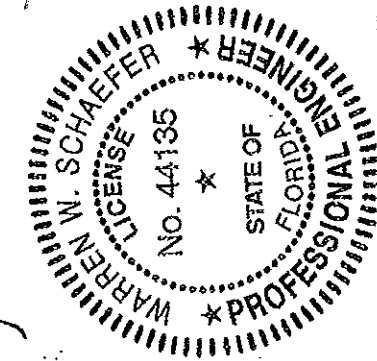
TYPICAL MONOLITHIC GLAZING DETAIL WITH LARGE GLAZING BEAD
(NOT APPLICABLE WITH SHAPED WINDOWS)



TYPICAL I.G. GLAZING DETAIL WITH LARGE GLAZING BEAD
(NOT APPLICABLE WITH SHAPED WINDOWS)

PRODUCT REVISED as complying with the Florida Building Code
 Acceptance No. 14-0424.03
 Expiration Date April 16, 2017
 By *Warren Schaefer*
 Miami Dade Product Control

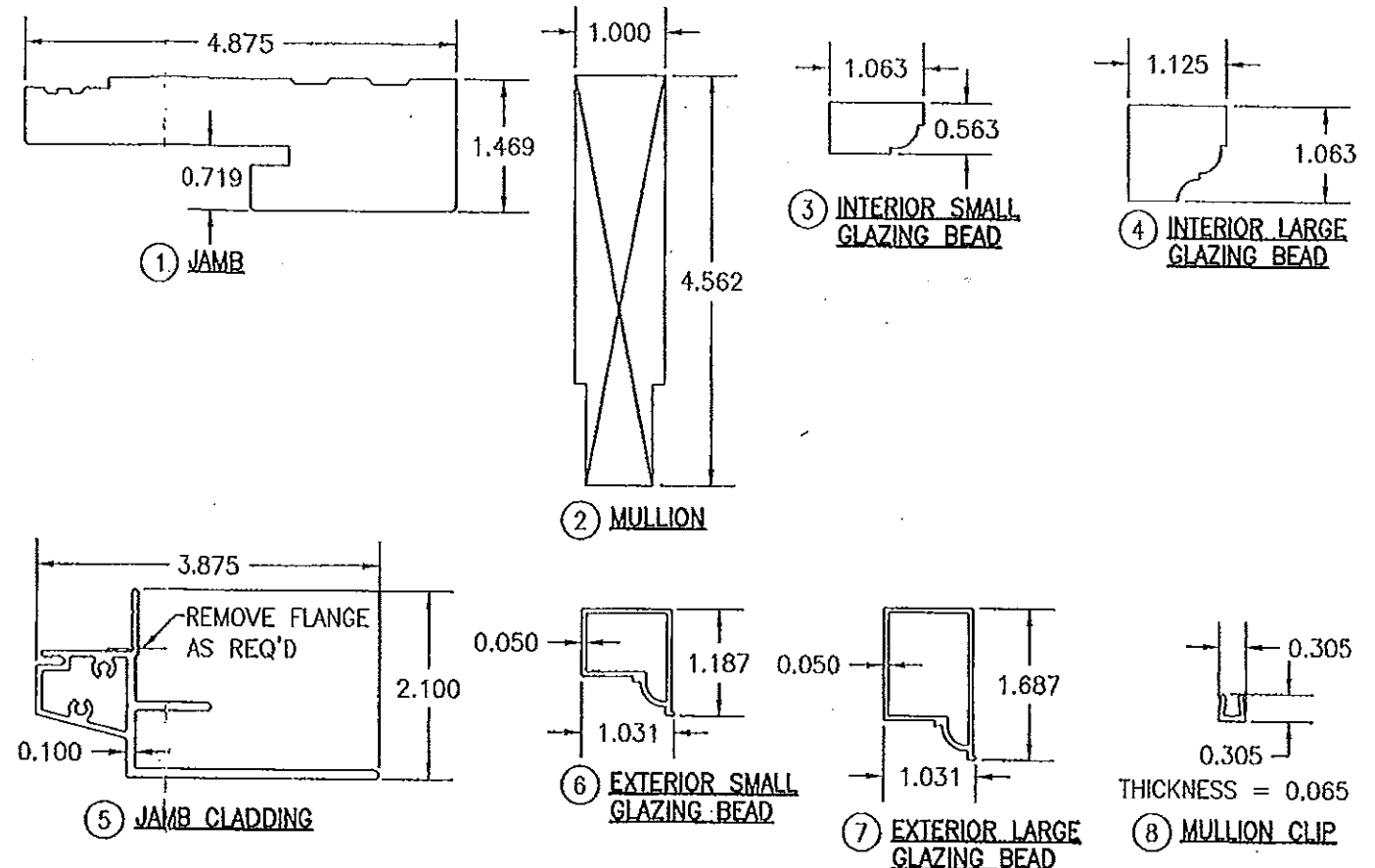
PRODUCT REVISED as complying with the Florida Building Code
 Acceptance No. 12-0410.12
 Expiration Date 04/16/2017
 By *Warren Schaefer*
 Miami Dade Product Control



DRAWN BY: W.R.M.	CHECKED BY: W.W.S.
PLOT: 1-2	DATE: 04/17/12
DATE	BY
REVISION DESCRIPTION	NO.
DRAWING TITLE ALUMINUM CLAD WOOD IMPACT DIRECT GLAZED FIXED WINDOW	
MANUFACTURER ULTIMATE DOOR OF PALM BEACH, INC. 2800 2ND AVE. NORTH LAKE WORTH, FL 33461 561-642-2828	
CONSULTANTS W. W. SCHAEFER ENGINEERING & CONSULTING, P.A. (CA 6809) 7480 150TH COURT NORTH PALM BEACH GARDENS, FL 33418 PHONE: 561-744-3424	
CERTIFICATION APR 17 2012 WARREN W. SCHAEFER, P.E. P.E. NO. 44135	
DRAWING NO. 1749	REV.
SHEET NO. 4 OF 5	

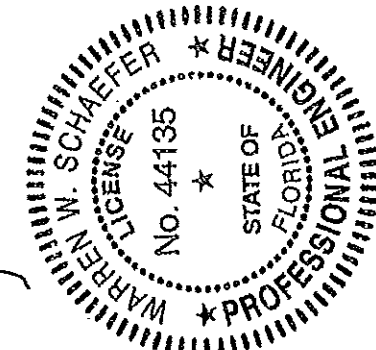
ITEM #	ITEM DESCRIPTION	MANUFACTURER/NOTES
PARTS		
1	JAMB	WOOD
2	MULLION	WOOD
3	INTERIOR SMALL GLAZING BEAD	WOOD
4	INTERIOR LARGE GLAZING BEAD	WOOD
5	JAMB CLADDING	6063-T5 ALUMINUM
6	EXTERIOR SMALL GLAZING BEAD	6063-T5 ALUMINUM
7	EXTERIOR LARGE GLAZING BEAD	6063-T5 ALUMINUM
8	MULLION CLIP	6063-T5 ALUMINUM
SEALS & SEALANTS		
11	GLAZING TAPE 1/16" X 7/8"	SAINT GOBIAN V2862
12	GLAZING TAPE 1/16" X 1/2"	SAINT GOBIAN V2862
FASTENERS		
15	NO. 6 X 3/4" SMS	WITHIN 2" FROM CORNERS & 12" MAX. O.C.
16	NO. 10 X 1 1/4" HEX HEAD TEK SCREW	WITHIN 2" FROM ENDS & 9" MAX. O.C.
17	18 GA. X 3/4" BRAD NAIL	WITHIN 2" FROM CORNERS & 9" MAX. O.C.
18	NO. 7 X 1 5/8" TRIM SCREW	WITHIN 2" FROM CORNERS & 9" MAX. O.C.

NOTE: WOOD USED IN TESTING WAS PONDEROSA PINE WITH A SPECIFIC GRAVITY OF G = 0.43 AND A MODULUS OF ELASTICITY OF E = 1,200,000 PSI. OTHER WOOD SPECIES APPLICABLE FOR USE WITH THIS PRODUCT ARE THOSE WITH A SPECIFIC GRAVITY OF 0.43 AND MODULUS OF ELASTICITY OF 1,200,000 PSI OR GREATER. ALL WOOD IS MINIMUM GRADE 2 MILLED BY ULTIMATE DOOR TO SELECT.



PRODUCT REVISED
 as complying with the Florida
 Building Code
 Acceptance No. 14-0424-03
 Expiration Date April 16, 2017
 By *Manuel Perez*
 Miami Dade Product Control

PRODUCT REVISED
 as complying with the Florida
 Building Code
 Acceptance No. 12-041012
 Expiration Date 04/16/2017
 By *Manuel Perez*
 Miami Dade Product Control



DRAWN BY: W.R.M.	CHECKED BY: W.M.S.		
PLOT: 1-2	DATE: 04/17/12		
NO.	REVISION DESCRIPTION	BY	DATE
DRAWING TITLE ALUMINUM CLAD WOOD IMPACT DIRECT GLAZED FIXED WINDOW			
CONSULTANTS W. W. SCHAEFER ENGINEERING & CONSULTING, P.A. (CA 6809) 7480 150TH COURT NORTH PALM BEACH GARDENS, FL 33418 PHONE: 561-744-3424			
MANUFACTURER ULTIMATE DOOR OF PALM BEACH, INC. 2800 2ND AVE. NORTH LAKE WORTH, FL 33461 561-642-2828			
CERTIFICATION	APR 17 2012 WARREN W. SCHAEFER P.E. P.E. NO. 44135		
DRAWING NO. 1749	REV.		
SHEET NO. 5	OF	5	