



**BRILLIANCE<sup>®</sup>**  
**LED**  
A HIGHER LIGHT FORM<sup>®</sup>

---

# STRIP LIGHT GUIDE

---



Photo courtesy of Texas Outdoor Lighting

7202 E Cave Creek Rd, Suite 3A | PO Box 2281 | Carefree, AZ 85377  
(800) 867-2108 | [brillianceled.com](http://brillianceled.com)



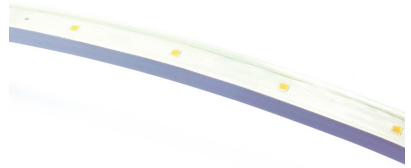
# CUT SHEET

## DESCRIPTION:

The Brilliance LED AC (TPU-Gen III) Strip Light is rated for outdoor use and can be directly connected to an existing 8-16 VAC landscape lighting system. Great accent lighting for stairs, railings and overhangs. The LEDs on this Strip Light are encased in non-yellowing material that installs easily.

## FEATURES:

- Dimmable with most magnetic transformers
- Max length for power feed is 12m (39' 4")
- Available in 82.25 ft reels or custom cut to specific lengths

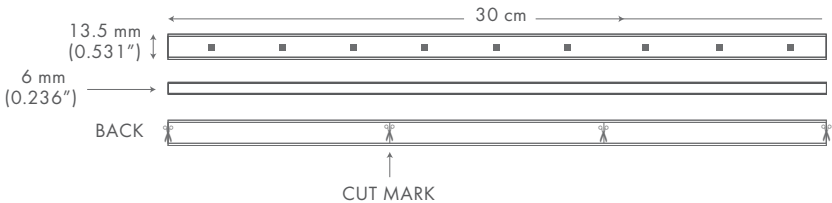


Wattage	1.8 per meter
Lumens	144 (45/ft)
Kelvin Temperature	2700, 5000
Color	red, green, blue
Operating Range	8-16 VAC
CRI	75
IP	65
Lamp Life (hours)	35,000
Warranty (years)	3

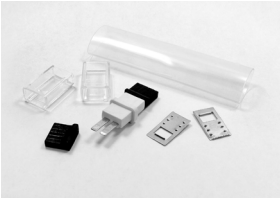
Brilliance LED 3rd Generation Strip Light Dimensions:

30 cm Example without end connections

(may be cut at each 3 LED section - 10 cm)

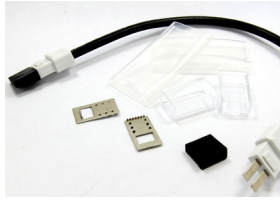


# ACCESSORIES



## Double-Sided Connector Kit

- Part # - 0 35127 47542 4
- 1 - Double-Sided Connector
  - 2 - Clear Plastic Retainers
  - 2 - Metal Anti-Slip Plates
  - 1 - Heat Shrink Tube



## Jumper Connector Kit

- Part # - 0 35127 47606 3
- 1 - Jumper Connector
  - 2 - Clear Plastic Retainers
  - 2 - Metal Anti-slip Plates
  - 2 - Heat-shrink Tubes



## 90° Jumper Connector Kit

- Part # - 0 35127 47698 8
- 1 - Jumper Connector
  - 2 - Clear Plastic Retainers
  - 2 - Metal Anti-slip Plates
  - 2 - Heat-shrink Tubes



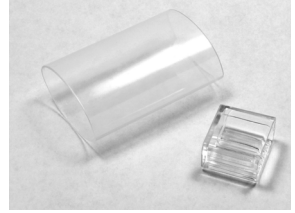
## Power Feed Kit

- Part # - 0 35127 47544 8
- 1 - Power Feed
  - 1 - Clear Plastic Retainer
  - 1 - Metal Anti-slip Plate
  - 1 - Heat-shrink Tube



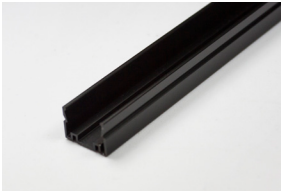
## "T" Power Feed Connector Kit

- Part # - 0 35127 47608 7
- 1 - "T" Power Feed Connector
  - 2 - Clear Plastic Retainers
  - 2 - Metal Anti-slip Plates
  - 2 - Heat-shrink Tubes



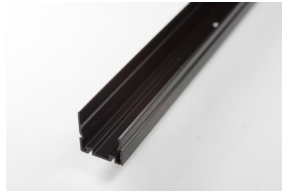
## End Cap Kit

- Part # - 0 35127 47607 0
- 1 - End Cap
  - 1 - Light Shield
  - 1 - Heat-shrink Tube



## Strip Light Channel<sup>1</sup> (Gen 2) w/ Groove

- Part # - 0 35127 47751 0
- 1m (3.2') Channel sections
  - 5 - Screws



## Strip Light Channel<sup>1</sup> (Gen 2) w/ Groove & Glare Shield

- Part # - 0 35127 47752 7
- 1m (3.2') Channel sections
  - 5 - Screws



## Clip & Screw Kit

- Part # - 0 35127 47543 1
- 50 - Plastic Clips
  - 100 - Screws



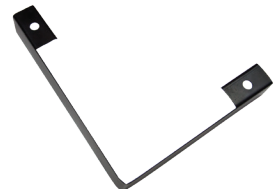
## Diffuser\*

- Part # - 0 35127 47753 4



## Attachment Clip\*

- Part # - 0 35127 47754 1



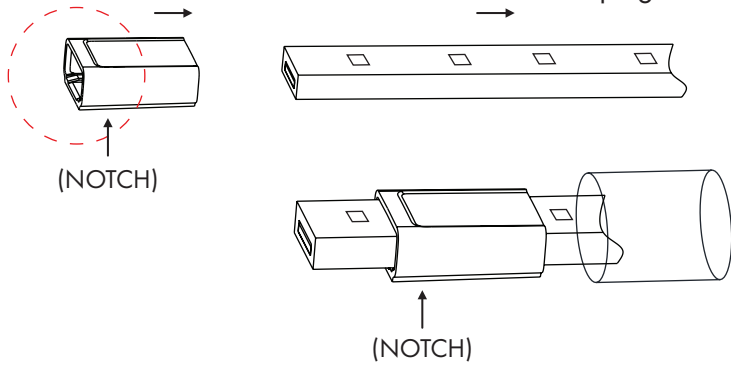
## Stealth Connector Shields\*<sup>1</sup>

- Part # - 0 35127 47767 1
- Part # - 0 35127 47771 8 (w/ Facia)

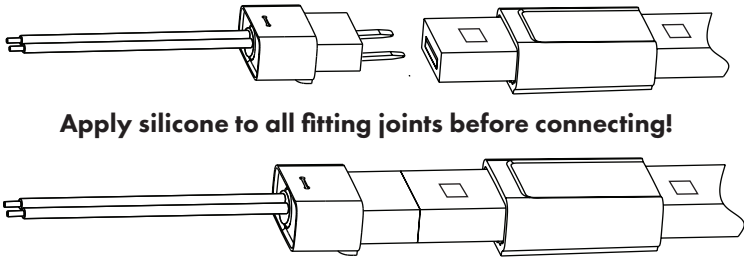
\*only works with Gen 2 Channel models

# INSTRUCTIONS

STEP 1: Place heat shrink tube & clear retainer on strip light.

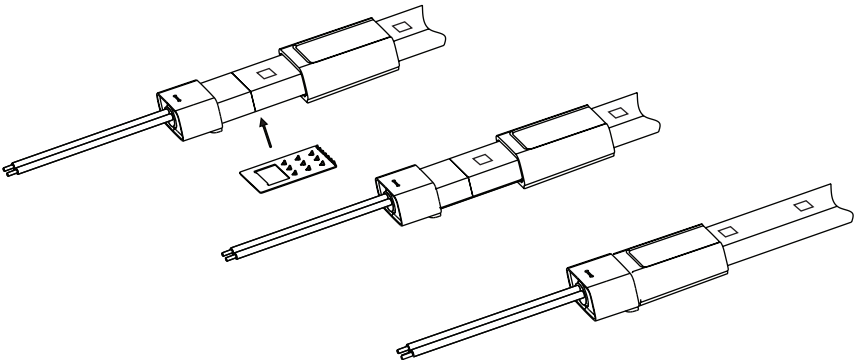


STEP 2: Connect power feed to strip light.



**DO NOT** insert connector pins on LEDs Side!  
(see figure D)

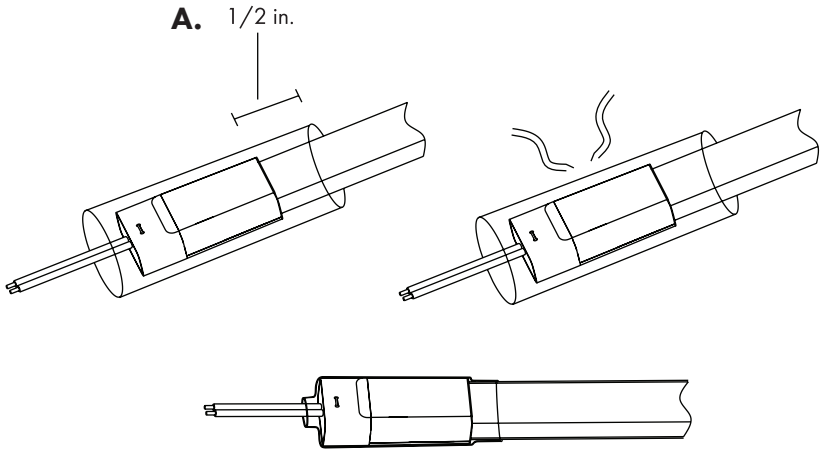
STEP 3: Place metal anti-slip plate & slide clear retainer over.



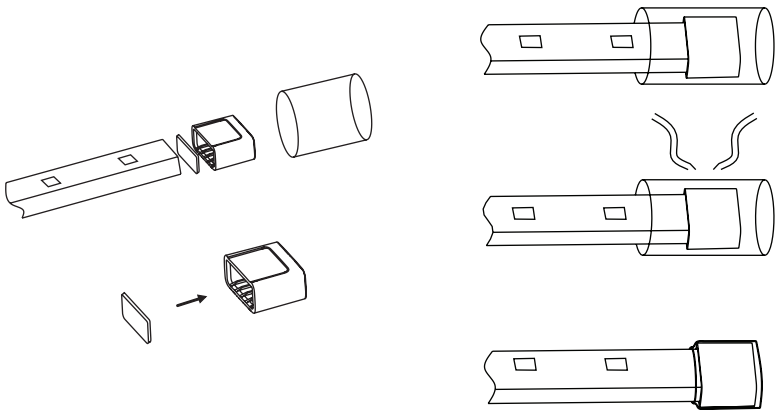
# INSTRUCTIONS

STEP 4: Cover with heat shrink tube \* & seal with heat gun.

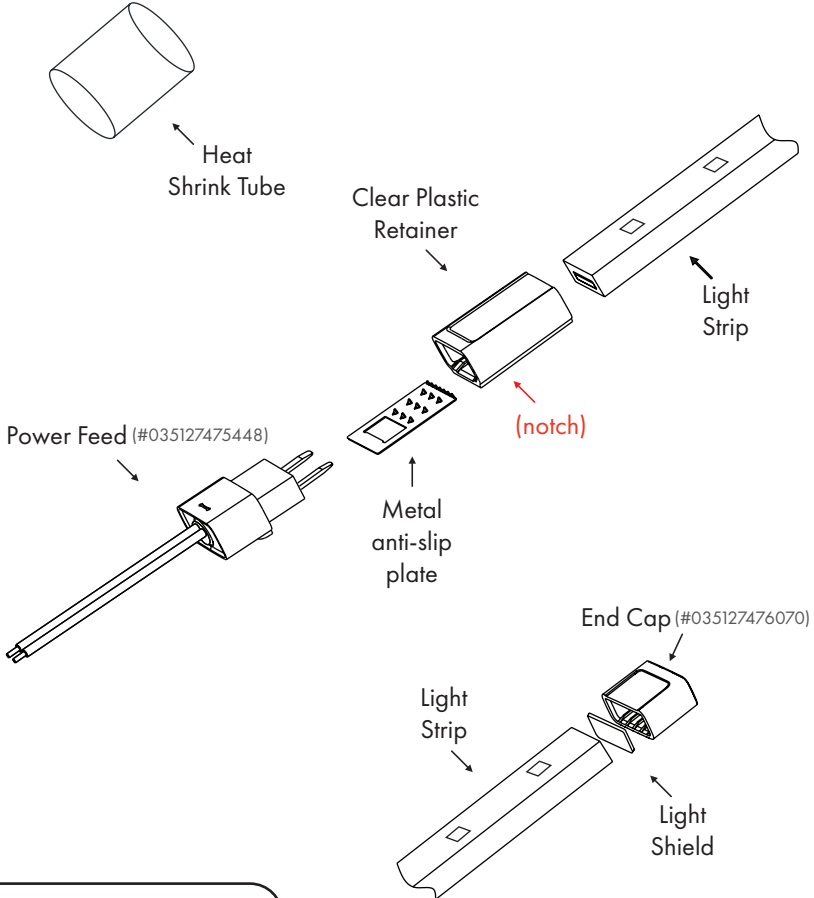
\* Install shrink tube half inch past clear retainer. See Exhibit A.



STEP 5: Cover with heat shrink tube & seal with heat gun.



# PARTS & PIECES

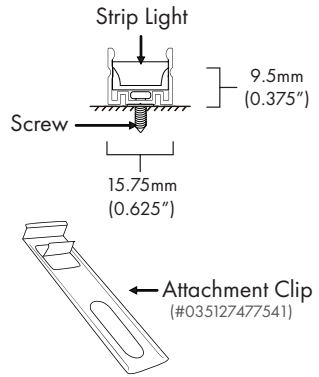
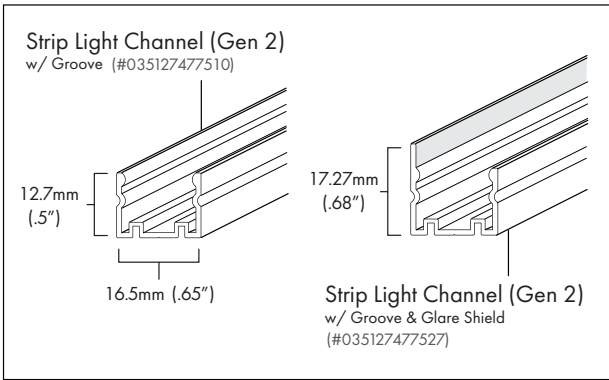
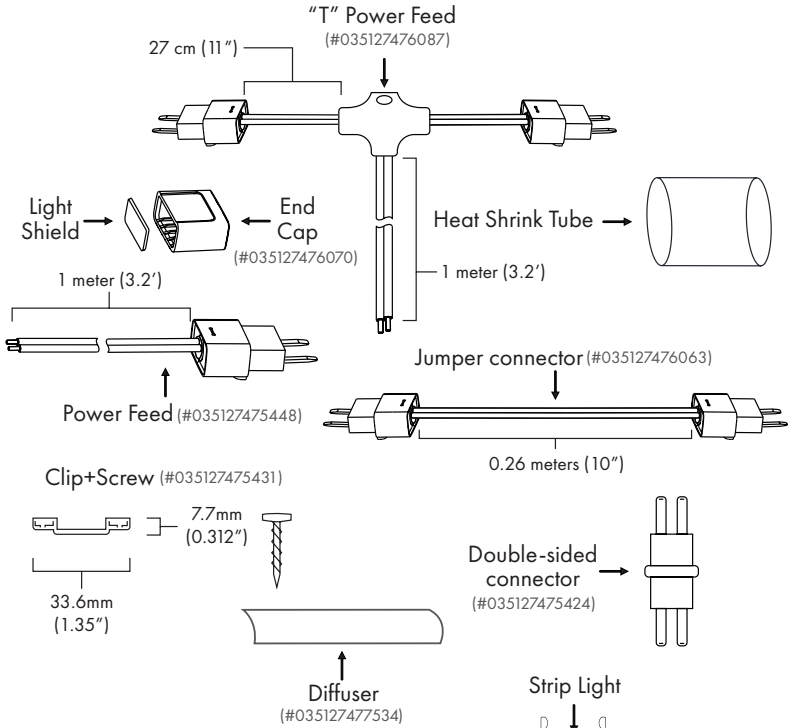


**NOT INCLUDED:**

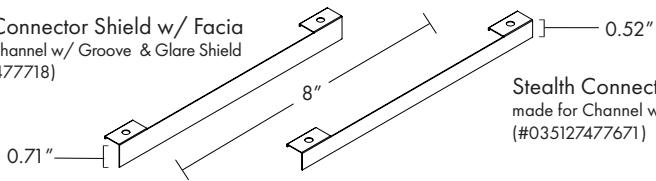
Heat source for heat shrink tube seal



# ACCESSORIES



Stealth Connector Shield w/ Facia made for Channel w/ Groove & Glare Shield (#035127477718)



Stealth Connector Shield made for Channel w/ Groove (#035127477671)



# PROPER HANDLING

FIGURE A: Strip Light

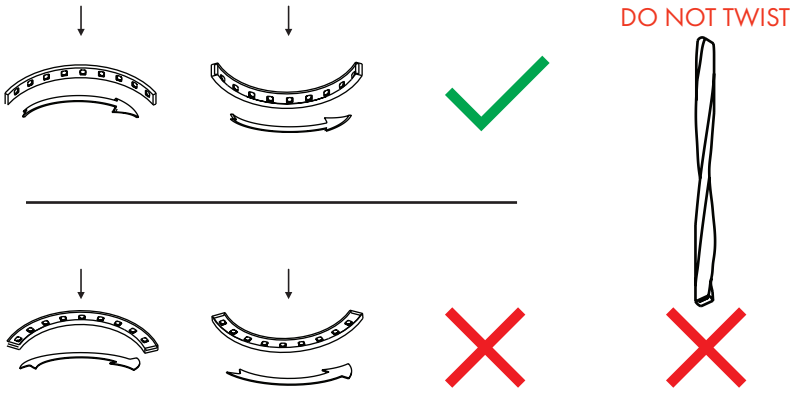


FIGURE B: Connector Pin - Positioning

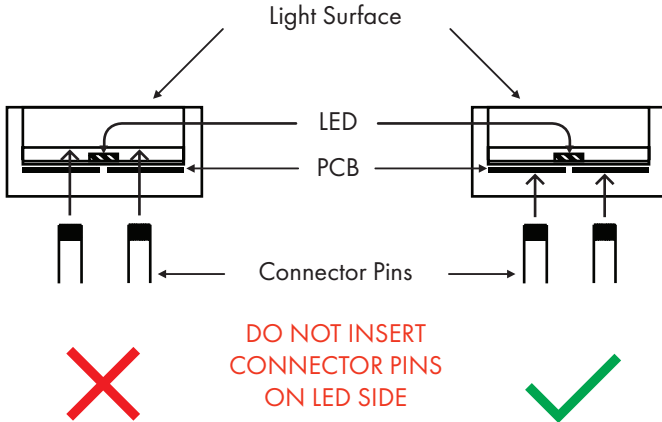
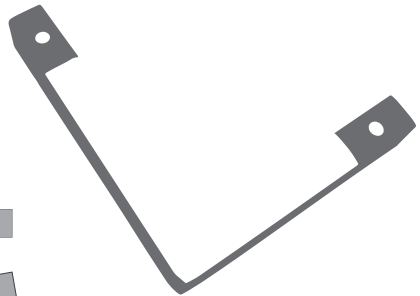
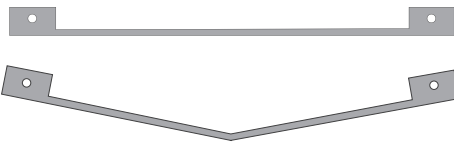


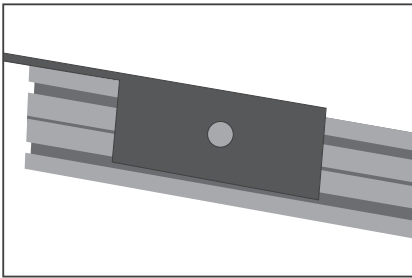
FIGURE C: Stealth Connector Shield<sup>1</sup> (SCS)

- Can be bent more than 90 degrees
- Can be field cut for power feed connector & end caps
- Can be painted

**STEP 1:** Shape the SCS to the desired angle.



**STEP 2:** The tabs on either side of the SCS will fit into the rear groove of the channel.



**NOTE:** Instant adhesive can be used to tack the SCS to the top of the channel if desired.

<sup>1</sup>**Note:** While the aluminum extrusion material will not be adversely affected by conventional Ultraviolet (UV) & Infrared (IR) exposure, the black dye used in the anodizing process is an organic material and will experience fading over time depending on the level of exposure to Ultraviolet (UV) & Infrared (IR) from sunlight. The amount of fading will be determined by the above stated factors. For this reason, Brilliance LED makes no warranty or guarantee for discoloration when this product is used in an outdoor application or is exposed to direct sunlight.





7202 E Cave Creek Rd, Suite 3A | PO Box 2281 | Carefree, AZ 85377  
(800) 867-2108 | [brillianceled.com](http://brillianceled.com)