

GUTTER MOUNT Mini Beam Accessory



DESCRIPTION

The Gutter Mount is an easy-to-affix, sleek accessory bracket that pairs with Mini Beams to light upper segments of structures. The low profile of the Gutter Mount makes it an unobtrusive lighting option compared to traditional uplight fixtures.

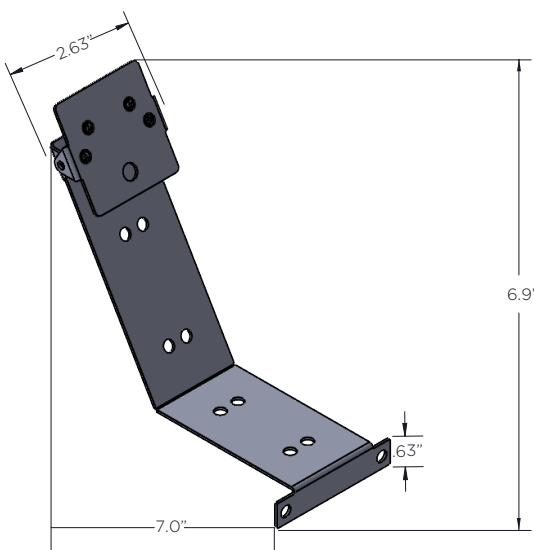
The stainless steel bracket is engineered to work with the various sizes of Mini Beams and offers 30 degrees of vertical adjustment. It can also be painted to match its surroundings. Includes two bracket mounting screws and zip ties. Mini Beam sold separately.

GUTTER MOUNT

Use	Upper Segments of Residential or Commercial Structures, Like Dormers or Other Architectural Features	
Finish	Stainless Steel	
Includes	Gutter Mount, Mounting Bracket Screws, Zip Ties	
Warranty	Lifetime	
Order Without Light Source	Fits Any Mini Beam	GUTTER-MOUNT



Gutter Mount shown with 400 Lumen Mini Beam (not included)



INSTALLING THE GUTTER MOUNT

1. Attach the Mini Beam to the Gutter Mount using the supplied bracket screws.
2. Attach the Gutter Mount to the fascia of the structure.
3. Adjust the gimbal bracket to the preferred location and tighten the screws.
4. Secure the Mini Beam wire to the Gutter Mount bracket using the supplied zip ties.
5. Wire the Mini Beam into a low voltage power supply.