

GRAND CANYON PAR36 Directional Light



DESCRIPTION

The Grand Canyon Directional Light works with PAR36 lamps or PAR36 Chameleon lamps. It features the Brilliance Metal Works signature adjustment system, which allows for 22 points of articulation of the knuckle in 10 degree increments. For loose soil applications, pair the Grand Canyon with the Impaler accessory.

GRAND CANYON DIRECTIONAL LIGHT

Use	Uplighting, Grazing, Backlighting, and Wall Washing (When Used with 120° Lamps Only)	
Finish	Brass, Copper, or Brass w/ Black Cerakote®	
Includes	ABS Mounting Stake, LightingShrink Professional Crimp and Heat Shrink Cable Connector	
Order With Lamp	PAR36, 7W, 2700K, 30°	GRAND-CANYON-DL-PAR36-CU GRAND-CANYON-DL-PAR36-BR GRAND-CANYON-DL-PAR36-BR-BLK
Order Without Lamp	Fits Chameleon PAR36, PAR36	GRAND-CANYON-DL-PAR36-CU-NL GRAND-CANYON-DL-PAR36-BR-NL GRAND-CANYON-DL-PAR36-BR-BLK-NL



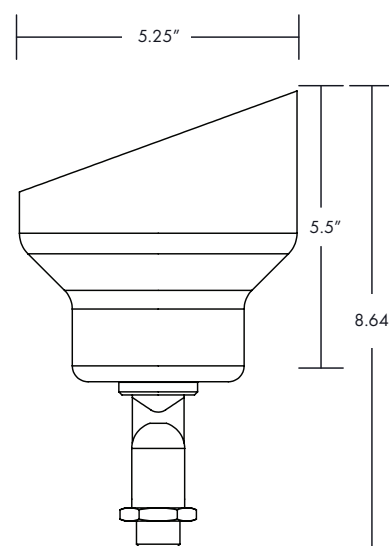
Brass (BR)



Copper (CU)



Brass + Black Cerakote®
(BR-BLK)





GRAND-CANYON-DL-PAR36-BR-BLK

SOFT SOIL APPLICATIONS: INSTALLING THE GROUND STAKE & FIXTURE

1. Connect the power cable from the fixture body to the landscape cable.
2. Lay the power cable into the slotted relief on the stake.
3. Press the fixture and stake into the ground.
4. Use a level to ensure the top of the stake is level with the ground.

HARD SOIL APPLICATIONS: INSTALLING THE GROUND STAKE & FIXTURE

1. Unscrew the fixture body from the stake.
2. Dig a hole approximately 4" wide by 10" deep and gently tap the stake into the ground with a rubber mallet.
3. Use a level to ensure the top of the stake is level with the ground.
4. Reinstall the fixture body onto the stake and lay the power cable into the slotted relief on the stake.
5. Connect the power cable from the fixture body to the landscape cable.

ADJUSTING THE FIXTURE

1. Turn the thumbnut counter-clockwise to loosen the knuckle.
2. Rotate the fixture vertically to the preferred position.
3. Turn the thumbnut clockwise to hold it in the preferred position. Adjusting the fixture allows for dark sky ordinance applications.

INSTALLING THE LAMP

1. Loosen the terminal screws on the PAR36 lamp.
2. Slide the U terminal connector under each terminal screw and tighten them.
3. Set the edge of the lamp onto the first two stainless steel flex fingers.
4. Pull back on the remaining flex finger and snap the lamp into the fixture.