

# ROUND G4 WAFER

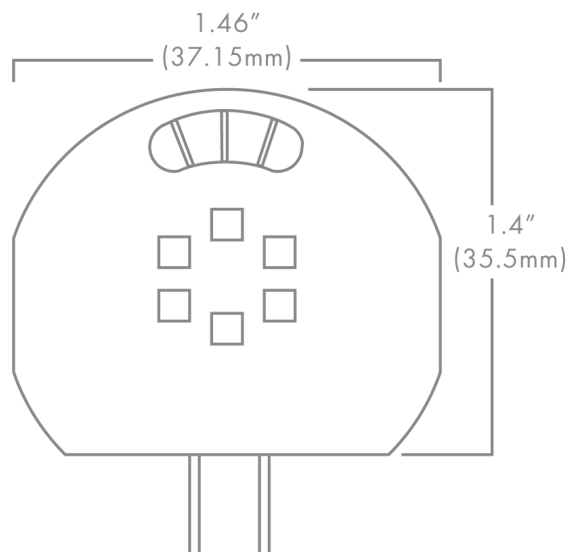


## DESCRIPTION

The Brilliance G4 Bi-Pin Wafer is designed specifically for low voltage landscape lighting fixtures. This compact LED is energy efficient and produces a broad 180° light pattern. Dimmable with Brilliance Dimmer and most magnetic transformers.

## ROUND G4 WAFER SPECS

Wattage	<b>2W</b>
Volt Amps	<b>3.33</b>
Lumens	<b>120</b>
Beam Spread	<b>180°</b>
Kelvin Temperature	<b>2700</b>
Operating Range	<b>8-24 VAC/DC</b>
Replaces	<b>25W Halogen</b>
CRI	<b>85</b>
IP	<b>60</b>
Lamp Life (hours)	<b>35,000</b>
Warranty (years)	<b>5</b>



Part Number: **BIPIN-G4-RND-WAFER**

