

S14 EDGE FILAMENT



DESCRIPTION

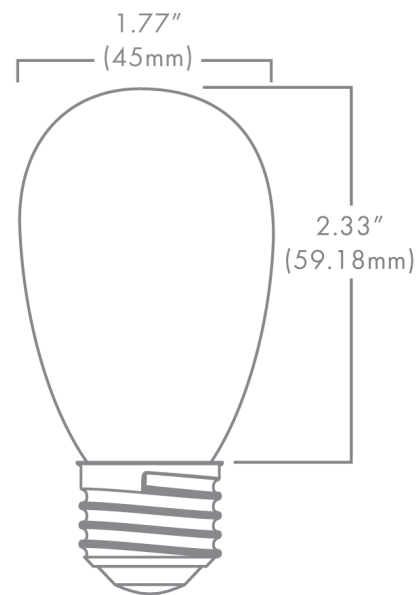
The Brilliance S14 Edge Filament is designed specifically for use in both open outdoor and indoor fixtures where precision lighting and high color rendering is desired, giving the effect of an original Edison lamp. This lamp is ideal for inverted bistro style lighting.

FEATURES

- Clear, omni-directional light source
- Elegant, exposed filament design
- UL Certified E360351

S14 EDGE FILAMENT SPECS

Wattage	2.5W	3.5W
Volt Amps	2.78	3.89
Lumens	120	295
Kelvin Temperature	2700	
Operating Range	120 VAC/DC	
CRI	95	
IP	64	
Lamp Life (hours)	30,000	
Warranty (years)	3	



Part Number: **S14-FIL-EDGE-X-XXXX-120**

Wattage Kelvin

