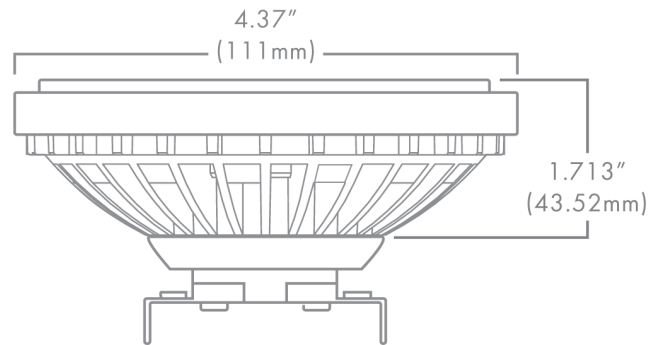


# PAR36



## DESCRIPTION

The Brilliance PAR36 lamp is designed to fit in standard low voltage PAR36 fixtures and offers a long lamp life. These LEDs are thermally engineered to operate in enclosed fixtures and provide added security by automatically cooling down and reducing lumen output when exposed to extreme heat, such as air temperatures above 125 °F. There is no color shift when lumen output is reduced. Dimmable with Brilliance Dimmer and most magnetic transformers. Suitable for wet locations and for use in totally enclosed luminaires. Not for underwater use.



## FEATURES

- Earth tone colored housing
- Enhanced ESD (Electro-Static Discharge) protection (IEC-61000-4-2)
- Heat overload protection technology
- Fully potted PC board
- UL Certified E360351

Part Number: **PAR36-X-XXXX-XXX**



## PAR36 SPECS

Wattage	4W	7W	11W	15W
Volt Amps	6.67	10.77	15.94	21.43
Lumens	<b>2700K</b>	435	675	900
	<b>3000K</b>	445	700	950
	<b>5700K</b>	-	743	1333
Beam Spread†	<b>15°, 30°, 60°, 120°</b>			
Kelvin Temperature	<b>2700, 3000, 5700</b>			
Color†	<b>Amber</b> (7W, 11W, 30°) <b>Red</b> (7W, 11W, 30°) <b>Blue</b> (7W, 11W, 15°, 30°) <b>Green</b> (7W, 11W, 30°) <b>Silver Green</b> (7W, 11W)			
Operating Range	<b>8-25 VAC/DC</b>			
Replaces	<b>20W, 35W, 50W Halogen</b>			
CRI	<b>85</b>			
IP	<b>68</b>			
Lamp Life (hours)	<b>50,000</b>			
Warranty (years)	<b>5</b>			



† Select Beam Spreads Available in Stock. Call 800-867-2108 for availability.