

GUADALUPE WALL LIGHT

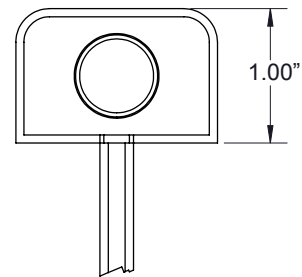


DESCRIPTION

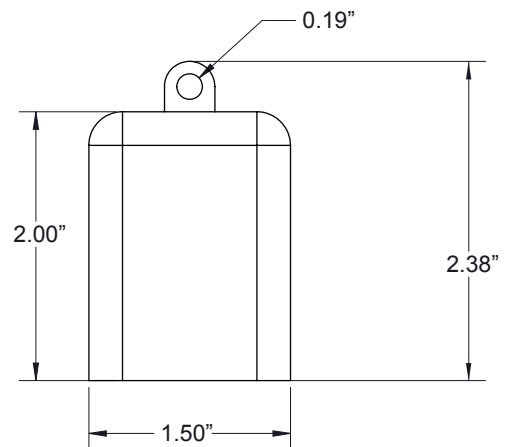
The Guadalupe is an integrated lamp and fixture that casts light from wall-mount applications in outdoor living areas. We recommend using LightingShrink connections for the Guadalupe. Dimmable with Brilliance dimmer and most magnetic transformers. UL Certified E511083.

GUADALUPE WALL LIGHT

Use	Walls, Fence Posts, Around Pools, and Other Outdoor Living Areas					
Finish	Brass or Black Brass					
Includes	12 ft Lead, 2 #8 Mounting Screws for Wood or Sheet Metal, Mounting Template					
Integrated Lamp	2700K, 3.8W, 200 Lumens, 90°, CRI 90, IP65, 8-15VAC, 3 year warranty, 6.03VA, 35,000 hrs					
	<table style="width: 100%; border: none;"> <tr> <td style="text-align: right;">Brass</td> <td>GUADALUPE-2700-BR</td> </tr> <tr> <td style="text-align: right;">Black Brass</td> <td>GUADALUPE-2700-BR-BLK</td> </tr> <tr> <td style="text-align: right;">White</td> <td>GUADALUPE-2700-WH</td> </tr> </table>	Brass	GUADALUPE-2700-BR	Black Brass	GUADALUPE-2700-BR-BLK	White
Brass	GUADALUPE-2700-BR					
Black Brass	GUADALUPE-2700-BR-BLK					
White	GUADALUPE-2700-WH					
	3000K, 3.8W, 210 Lumens, 90°, CRI 90, IP65, 8-15VAC, 3 year warranty, 6.03VA, 35,000 hrs					
	<table style="width: 100%; border: none;"> <tr> <td style="text-align: right;">Brass</td> <td>GUADALUPE-3000-BR</td> </tr> <tr> <td style="text-align: right;">Black Brass</td> <td>GUADALUPE-3000-BR-BLK</td> </tr> <tr> <td style="text-align: right;">White</td> <td>GUADALUPE-3000-WH</td> </tr> </table>	Brass	GUADALUPE-3000-BR	Black Brass	GUADALUPE-3000-BR-BLK	White
Brass	GUADALUPE-3000-BR					
Black Brass	GUADALUPE-3000-BR-BLK					
White	GUADALUPE-3000-WH					



Brass (BR) White (WH) Black Brass (BR-BLK)





GUADALUPE-BR-BLK-3000

INSTALLING THE FIXTURE

1. Using a torpedo level and the mounting template provided, align and mark the screw and cable holes.
2. Drill the appropriate holes for the building materials to which the fixture will be mounted. Pre drill if necessary.
3. Insert and thread in the bottom mounting screw.
4. Pass the fixture cable through the larger center hole.
5. Hang the fixture on the bottom screw.
6. Align the top mounting tab with the top pilot hole and insert the mounting screw.
7. Tighten the top mounting screw until snug and then finish tightening the bottom screw until snug.
8. Connect the fixture wires to the main cable coming from the transformer.