

TRANSFORMERS



DESCRIPTION

The Brilliance Transformer features a high-quality, stainless steel case and includes multi taps to accommodate voltage drop. Available in 75, 150, 300, and 600 watts, these transformers are sure to support any size of project.

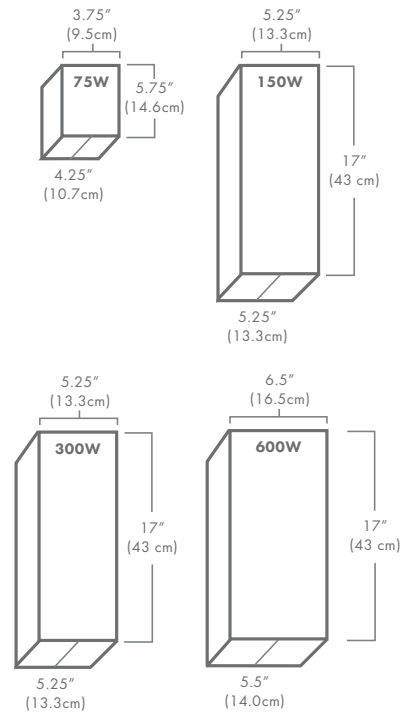
Pair with the Smart Socket 3.0 (sold separately) for astronomical timing via the Brilliance Smart app.

Pair with a Photocell (sold separately) for technology-free astronomical timing.

Create up to four zones on a single transformer with up to 200 Watts per sector with the award-winning Sector Selector (sold separately).

TRANSFORMER FEATURES

- UL 1838 Certified
- Secondary circuit breaker
- Two knockout sizes for conduit
- Removable bottom & 4ft Grounded plug
- Canted terminal block for easy access



Part Number:
BRI-XFORMER-XXX

Wattage



75W



150W



300W



600W



BRI-XFORMER-300

TRANSFORMER SPECS

Wattage	75	150	300	600
Finish	Stainless Steel	Stainless Steel	Stainless Steel	Stainless Steel
Timer	Included	Compatible	Compatible	Compatible
Secondary Circuit Breaker	Red	Orange	White	Circuit #1 & Circuit #2, White
Multi Tap	12V, 15V	12V, 13V, 14V, 15V	12V, 13V, 14V, 15V	12V, 14V, 16V, 18V, 20V, 22V
Dimensions (in.)	3.75 x 5.75 x 4.25	5.25 x 17 x 5.25	5.25 x 17 x 5.25	6.5 x 17 x 5.5
Dimmable	On Primary Side	On Primary Side	On Primary Side	On Primary Side
Warranty	Lifetime	Lifetime	Lifetime	Lifetime

TECHNICAL REQUIREMENTS: Design and plan lighting systems with volt amps in mind. Use the Brilliance Volt Amps chart to estimate the total draw on the system and choose the appropriate size of transformer accordingly.