

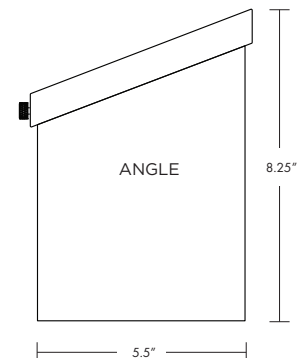
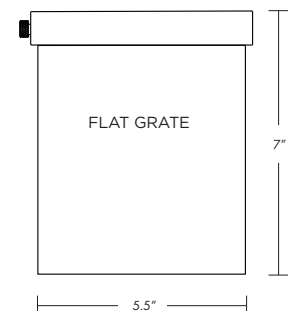
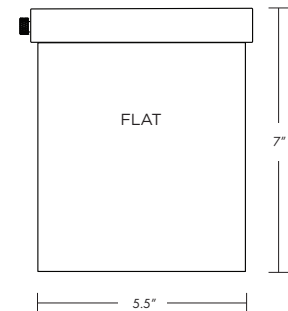
BLACK DIAMOND PAR36 WELL LIGHT

DESCRIPTION

The Black Diamond PAR36 Well Light comes in three glass top variations: flat, flat grate, or angled. All glass tops come in a black brass baked enamel finish. It is available without a lamp or with a PAR36 (7W 2700K 30° 675 Lumens). This well light is fitted for any of our PAR36 lamps and really comes to life with the Chameleon PAR36 for RGBW applications.

BLACK DIAMOND PAR36 WELL LIGHT

Use	Well Lighting & Underground Up Lighting	
Finish	Top: Black Brass Baked Enamel Body: Composite	
Includes	Heavy-Duty Stainless Steel Adjustable Gimbal	
Warranty	10 Year Warranty on Black Diamond Fixtures	
Order With Lamp	PAR36, 7W, 2700K, 30°	BD-WL-PAR36-FLAT BD-WL-PAR36-ANGLE BD-WL-PAR36-FLAT-GR
Order Without Lamp	Fits Chameleon PAR36, PAR36	BD-WL-PAR36-FLAT-NL BD-WL-PAR36-ANGLE-NL BD-WL-PAR36-FLAT-GR-NL





BD-WL-PAR36-FLAT

INSTALLING THE LAMP

1. Loosen the thumbscrew on the lens cap and remove the lens cap and the stainless steel gimbal from inside the Yosemite.
2. Install the lamp and snap it into the gimbal.
3. Return the gimbal to the well light.
4. Place the lens cap and tighten the thumbscrew to protect from debris.

INSTALLING THE FIXTURE

1. Dig a hole in the ground approximately 12" wide by 14" deep.
2. Connect the power cable to the fixture, leaving 2 feet of wire coiled in the bottom of the fixture for future service.
3. Pour 8" of pea gravel in the hole.
4. Place the fixture in the center of the hole.
5. Add more pea gravel to fill the hole 1" before the fixture lip. This allows for proper drainage around the fixture.
6. Place the specified lens assembly on the top of the fixture and tighten the set screw. Use the specified lens in all applications to protect from debris.
7. Apply glass wax on top of the lens to protect against standing water.