

Window Ventilator Replaceable Filter Cartridge

► In order to replace the filter in your window ventilator you will need a standard phillips head screwdriver and the appropriate sized cartridges (i.e. 736 cartridges for a model 736 ventilator).

► Please read the directions carefully before attempting to change the cartridge.

► First remove the ventilator from the window to a surface that is easily cleaned. When removing the old filter, trapped dirt and dust may fall off. If you are particularly sensitive to dust, pollen and dirt you may want to wear a mask or have someone else replace the cartridge for you.

► Put the ventilator in a closed position (*figure 1*). Keeping the ventilator closed, remove the two **silver** screws from the plain plastic endcap closest to you (*figure 2*).

► Pull the old filter toward you and discard (*figure 3*). If this is the first time the filter has been replaced, it will be in three pieces.

Do not remove the plastic rails on the outer edges of the replacement cartridge. These rails stay on the cartridge even in use.

► Take the new filter cartridge and slide it into the channel leaving the black rails in place (*figure 4*). These rails facilitate installation and removal and should be left on the filter.

Replace the two screws and the endcap. The endcap will slightly compress the screen when you replace it.

► Turn the ventilator over and repeat the process for the other panel.

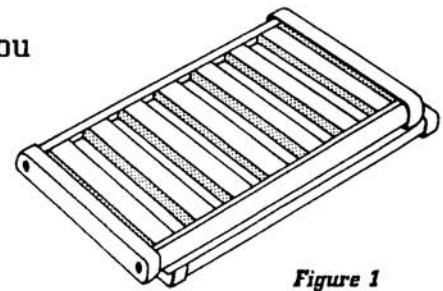


Figure 1

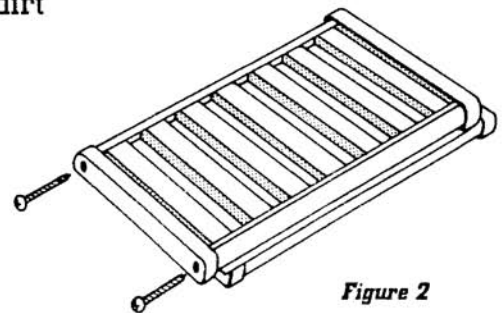


Figure 2

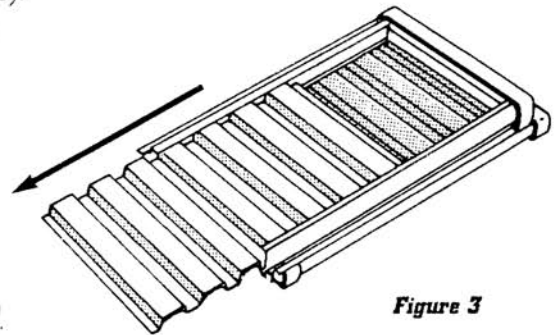


Figure 3

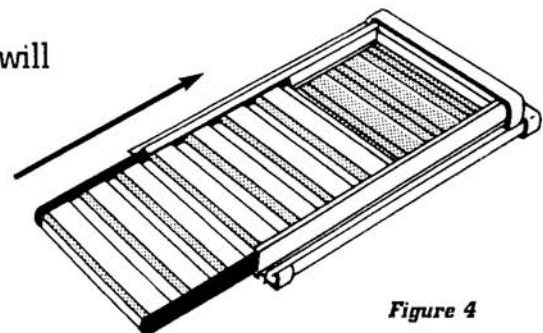


Figure 4

REP Industries, Inc
312 Walnut Street, Lansdale, PA 19446
215/368-0154



DANGER! FALL HAZARD

This product is **NOT** a guard
Keep Children Away from open windows

