

# Newport FIYE5 Series



Interior Assembly

### FEATURES & OPTIONS

#### Door Prep.

Cross Bore: 2-1/8"  
Edge: 1-1/8"  
Center to Center: 5-1/2"

#### Latch Backset

Entry: Adjustable UL deadlatch standard  
Passage: Adjustable UL plainlatch standard  
Deadbolt: Adjustable UL deadbolt standard  
(other options available)

#### Faceplate

1-1/8" x 2-1/4" square corner standard  
(other options available)

#### Bolt

Lever: 1/2" throw  
Deadbolt: 1" throw

#### Door Thickness

Fit 1-3/8" to 1-3/4" standard

#### Cylinder

6-pin SC "C" keyway solid brass cylinder standard  
Also Available in:  
5-pin SC keyway  
5-pin KW keyway  
6 or 7-pin Small Format I/C core, Best A2 keyway ⚡  
FD8 Removable cylinder deadbolt

#### Strike Plate

Lever: 2-3/4" x 1-1/8" square corner T-strike  
Deadbolt: 2-3/4" x 1-1/8" square corner strike  
(other options available)

#### Handing

Specify for left or right hand door

### FINISHES

(other finishes available upon request with lead-time)

- US10B – 613 – Oil Rubbed Bronze ⚡
- US15 – 619 – Satin Nickel ⚡

### WARRANTY

- Lifetime mechanical warranty
- Five years finish warranty



### CODE COMPLIANCE

- Meets ANSI A156.12, Series 4000, Grade 2
- Meets ADA Requirements
- UL 3-Hour Fire Rated

### SPECIFICATIONS

**Interconnected Lockset:** Lock or latchset shall be by PAMEX model # FIYE5 Series  
All locks shall be non-handed and provide with 3 hour UL listed latch bolt for both lever and deadbolt. Simultaneous retraction of lever and deadbolt by turning the inside lever.

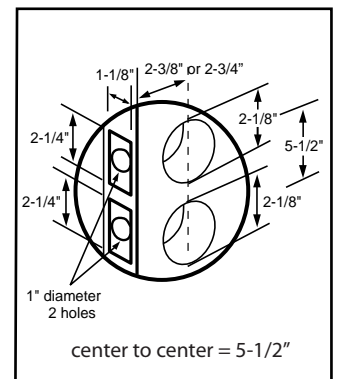
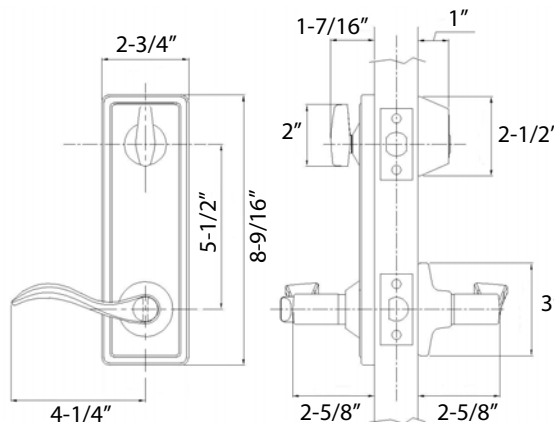
### FUNCTIONS

#### Single Locking – FIYE35 (F95-4) ⚡ Single deadbolt w/ Passage Lever

Deadbolt is operated by key outside and turn-piece inside. Latchbolt retracted by lever from either side. Inside lever retracts deadbolt and deadlatch simultaneously for panic exit.

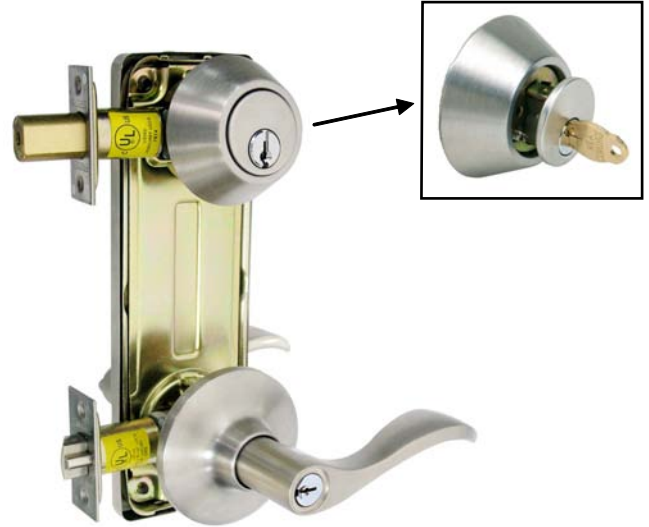
#### Double Locking – FIYE05 (F97-4) Single Deadbolt w/ Entry Lever

Deadbolt is operated by key outside and turn-piece inside. Lever locked or unlock by key outside and turn-piece inside. Inside lever retreats deadbolt and deadlatch simultaneously for panic exit.



Newport series door preparation

# Newport w/ Removable Cylinder Deadbolt *FIYE5 Series*



### FEATURES & OPTIONS

#### Door Prep.

Cross Bore: 2-1/8"  
Edge: 1-1/8"  
Center to Center: 5-1/2"

#### Latch Backset

Passage: Adjustable UL plainlatch standard  
Deadbolt: Adjustable UL deadbolt standard  
(other options available)

#### Faceplate

1-1/8" x 2-1/4" square corner standard  
(other options available)

#### Bolt

Lever: 1/2" throw  
Deadbolt: 1" throw

#### Door Thickness

Fit 1-3/8" to 1-3/4" standard

#### Cylinder

Removable Cylinder Deadbolt  
5-pin KW keyway standard  
Available in:  
5 or 6-pin SC keyway

#### Strike Plate

Lever: 2-3/4" x 1-1/8" square corner T-strike  
Deadbolt: 2-3/4" x 1-1/8" square corner strike  
(other options available)

#### Handing

Specify for left or right hand door

### FINISHES

(other finishes available upon request with lead-time)

- US10B – 613 – Oil Rubbed Bronze
- US15 – 619 – Satin Nickel

### WARRANTY

- Lifetime mechanical warranty
- Five years finish warranty



### CODE COMPLIANCE

- Meets ANSI A156.12,  
Series 4000, Grade 2
- Meets ADA Requirements
- UL 3-Hour Fire Rated

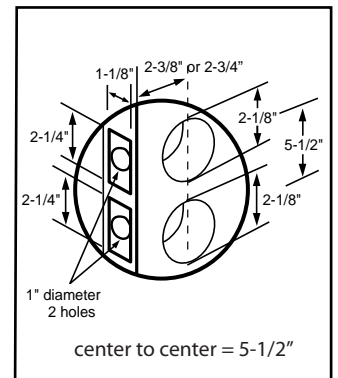
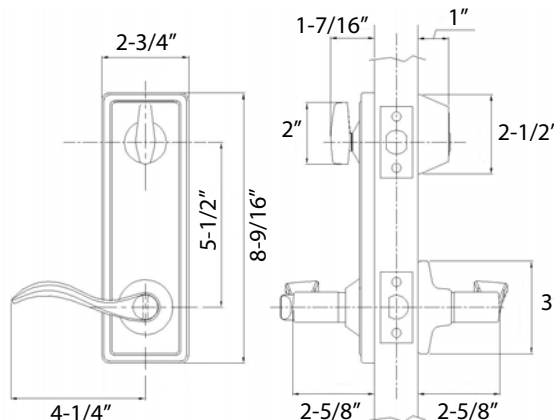
### SPECIFICATIONS

**Interconnected Lockset:** Lock or latchset shall be by PAMEX model # **FIYE5 Series**. All locks shall be non-handed and provide with 3 hour UL listed latch bolt for both lever and deadbolt. Simultaneous retraction of lever and deadbolt by turning the inside lever.

### FUNCTIONS

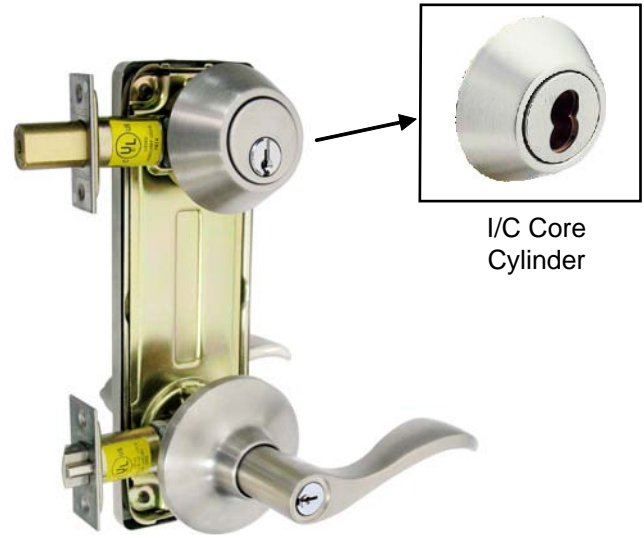
#### Single Locking – FIYE35-D8 (F95-4)

**Removable Cylinder deadbolt w/ Passage Lever**  
Deadbolt is operated by key outside and turn-piece inside. Latchbolt retracted by lever from either side. Inside lever retracts deadbolt and deadlatch simultaneously for panic exit. Deadbolt cylinder is removable using control key without disassemble the lockset.



Newport Series Door preparation

# Newport w/ Small Format I/C Core *FIYE5 Series*



### FEATURES & OPTIONS

#### Door Prep.

Cross Bore: 2-1/8"  
Edge: 1-1/8"  
Center to Center: 5-1/2"

#### Latch Backset

Passage: Adjustable UL plainlatch standard  
Deadbolt: Adjustable UL deadbolt standard  
(other options available)

#### Faceplate

1-1/8" x 2-1/4" square corner standard  
(other options available)


#### Bolt

Lever: 1/2" throw  
Deadbolt: 1" throw

#### Door Thickness

Fit 1-3/8" to 1-3/4" standard

#### Cylinder

6 or 7-pin Small Format I/C core,   
Best A2 keyway

#### Strike Plate



Lever: 2-3/4" x 1-1/8" square corner T-strike  
Deadbolt: 2-3/4" x 1-1/8" square corner strike  
(other options available)

#### Handing

Specify for left or right hand door

### FINISHES

(other finishes available upon request with lead-time)

- US10B – 613 – Oil Rubbed Bronze 
- US15 – 619 – Satin Nickel 

### WARRANTY

- Lifetime mechanical warranty
- Five years finish warranty



### CODE COMPLIANCE

- Meets ANSI A156.12,  
Series 4000, Grade 2
- Meets ADA Requirements
- UL 3-Hour Fire Rated

### SPECIFICATIONS

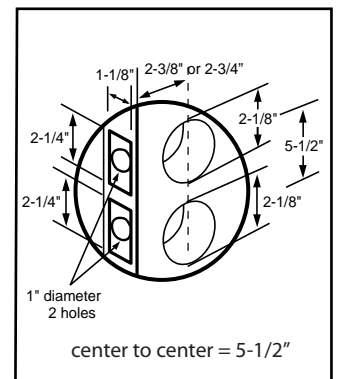
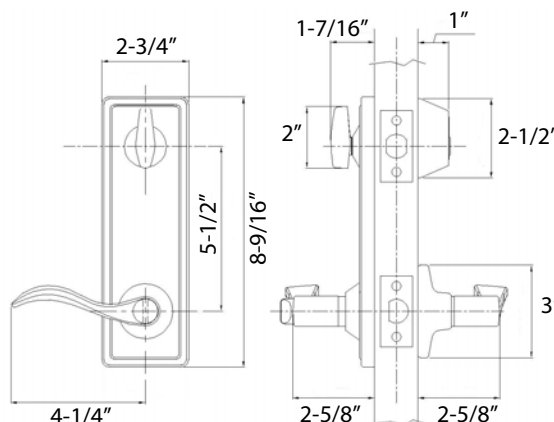
**Interconnected Lockset:** Lock or latchset shall be by PAMEX model # FIYE5 Series. All locks shall be non-handed and provide with 3 hour UL listed latch bolt for both lever and deadbolt. Simultaneous retraction of lever and deadbolt by turning the inside lever.

### FUNCTIONS

#### Single Locking – FIYE35A (F95-4)

#### Single deadbolt w/ Passage Lever

Deadbolt is operated by key outside and turn-piece inside. Latchbolt retracted by lever from either side. Inside lever retracts deadbolt and deadlatch simultaneously for panic exit.



Newport series door preparation