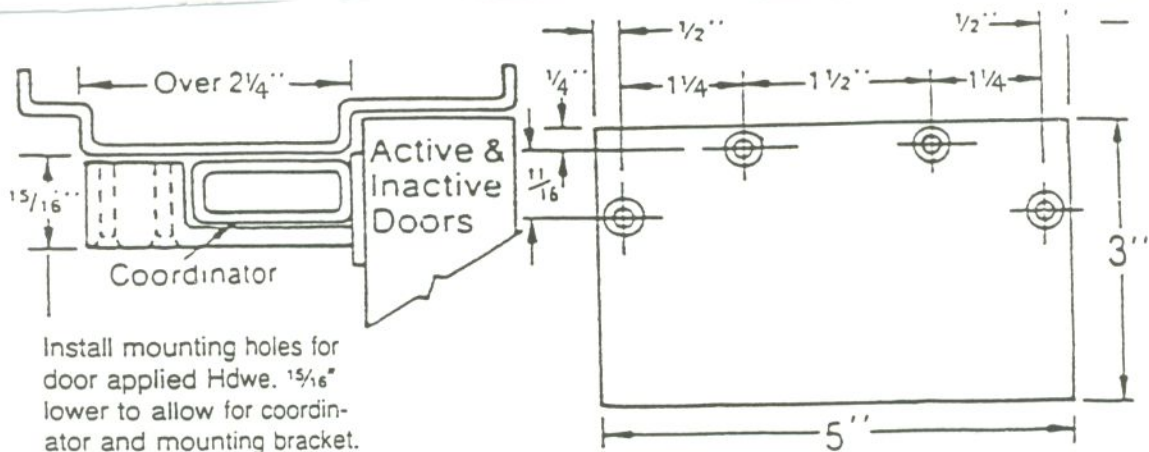


INSTALLATION INSTRUCTIONS for  
MB-4250 Mounting bracket

\*\*\*\*\*

1. MB-4250 may be supplied with Dorco Coordinator.
2. Position centre line of bracket, or bracket with centre line of stop., applied hardware per template. Mount bracket as shown. Drill and tap brackets for stop, applied hardware per template below.
3. Install door applied hardware  $15/16''$  lower to allow Coordinator and mounting brackets.

MB-4250 Mounting bracket for stop widths over  $2-1/4''$



INSTALLATION INSTRUCTIONS for  
MB-4750 Mounting Bracket

\*\*\*\*\*

1. MB-4750 may be supplied with Dorco Coordinator.
2. Position Centre line of bracket, or bracket with centre line of stop, applied hardware per template. Mount bracket as shown. Drill and tap brackets for stop, applied hardware per template below.
3. Install door applied hardware 15/16" lower to allow Coordinator and mounting brackets.

MB-4750 Mounting bracket for stop widths 7/8 to 2-1/4"

