

# USER'S GUIDE

◀ SECURITY • TECHNOLOGY ▶

## ELECTRONIC DEADBOLT



# IMPORTANT SAFETY INSTRUCTION

## **⚠ WARNING**

1. Do not use any abrasives or chemical products containing alcohol, benzene, hydrochloric acid or nitric acid, and avoid using sharp or abrasive objects to clean this lockset.
2. Do not let any water or liquid into lockset during installation process.

## **⚠ SAFETY INFORMATION**

**Please use four alkaline batteries for better performance.**

1. Do not attempt to disassemble any internal components of the lockset personally. You may run the risk of voiding the limited warranty.
2. Do not drop or hit the lockset. Too much shock may result in permanent damage.
3. Do not use pins or sharp objects to press on the keypad.
4. Always create a backup of information you want to keep (such as the programming code and user codes). Please use the last page of this booklet as your reference.
5. Please change programming code before operating this lockset.

## **⚠ CARE and MAINTENANCE**

The following care instructions should be followed to ensure a long lasting finish:

1. Remove locks, or do not install locks, prior to painting your door.
2. Periodically clean with mild soap and a soft cloth only.

# INSTRUCTIONS IMPORTANTES DE SÉCURITÉ

## **⚠ AVERTISSEMENT**

1. N'utilisez pas de produits abrasifs ou de produits chimiques contenant de l'alcool, du benzène, de l'acide chlorhydrique ou de l'acide nitrique, et évitez d'utiliser des objets tranchants ou abrasifs pour nettoyer cette serrure.
2. Ne laissez pas l'eau ou un liquide dans la serrure pendant le processus d'installation.

## **⚠ INFORMATIONS DE SÉCURITÉ**

### **⚠ Utilisez quatre piles alcalines pour une meilleure performance.**

1. Ne tentez pas de démonter vous-mêmes les composants internes de la serrure. Vous courez le risque d'annuler la garantie limitée.
2. Ne laissez pas tomber la serrure. Un grand choc pourrait causer des dommages permanents.
3. N'utilisez pas des épingles ou des objets tranchants pour appuyer sur le clavier.
4. Créez toujours une copie de sauvegarde des informations que vous souhaitez conserver (telles que le code de programmation et les codes d'utilisateur). Veuillez utiliser la dernière page de ce manuel comme référence.
5. Veuillez changer le code de programmation avant d'utiliser cette serrure.

## **⚠ SOIN et ENTRETIEN**

Les instructions d'entretien suivantes doivent être respectées afin de garantir un fini durable:

1. Retirez les serrures, ou ne les installez pas avant de peindre votre porte.
2. Nettoyez régulièrement avec un savon doux et un chiffon doux.

# CONTENTS

---

|  |           |
|--|-----------|
| <b>Declaration and Safety Statements</b> .....                               | <b>04</b> |
| <b>Components of Electronic Keypad Deadbolt</b> .....                        | <b>05</b> |
| <b>Door Preparation</b> .....  | <b>06</b> |
| <b>Installation</b> .....  | <b>11</b> |
| <b>Function Overview</b> .....   | <b>22</b> |
| <b>Code Information</b> .....  | <b>23</b> |
| <b>Programming Mode</b> .....  | <b>24</b> |
| Fuction Code 00 : Automatic bolt direction determination .....               | 25        |
| Fuction Code 10 : Change preset or current programming code .....            | 26        |
| Fuction Code 20 : Add one or more user codes .....                           | 27        |
| Fuction Code 21 : Add one or more single-use user codes .....                | 28        |
| Fuction Code 30 : Delete INDIVIDUAL user code .....                          | 29        |
| Fuction Code 40 : Delete ALL user codes .....                                | 30        |
| Fuction Code 50 : Temporarily disable ALL user codes ( Vacation Mode ) ..... | 31        |
| Fuction Code 60 : Disable button sound ( Mute Mode ) .....                   | 32        |
| Fuction Code 70 : Set up auto-lock time delay .....                          | 33        |
| Fuction Code 80 : Switch auto-lock function .....                            | 34        |
| Restore factory setting .....  | 35        |

# CONTENTS

---

|                                    |    |
|------------------------------------|----|
| <b>Operation</b>                   |    |
| Lock operation .....               | 36 |
| Security mode .....                | 37 |
| <b>Troubleshooting Guide</b> ..... | 38 |
| <b>Information Page</b> .....      | 42 |
| <b>Warranty Policy</b> .....       | 43 |

# DECLARATIONS AND SAFETY STATEMENTS

## Federal Communications Commission Statement

---

This device complies with Part 15 of the FCC. Operation is subject to the following two conditions:

- (1) this device may not cause harmful interference, and
- (2) this device must accept any interference received, including interference that may cause undesired operation.

Changes or modifications not expressly approved by the party responsible for compliance could void the user's authority to operate the equipment.

NOTE: This equipment has been tested and found to comply with the limits for a Class B digital device, pursuant to part 15 of the FCC Rules. These limits are designed to provide reasonable protection against harmful interference in a residential installation. This equipment generates, uses and can radiate radio frequency energy and, if not installed and used in accordance with the instructions, may cause harmful interference to radio communications. However, there is no guarantee that interference will not occur in a particular installation.

If this equipment does cause harmful interference to radio or television reception, which can be determined by turning the equipment off and on, the user is encouraged to try to correct the interference by one or more of the following measures:

- Reorient or relocate the receiving antenna.
- Increase the separation between the equipment and receiver.
- Connect the equipment into an outlet on a circuit different from that to which the receiver is connected.
- Consult the dealer or an experienced radio/TV technician for help.

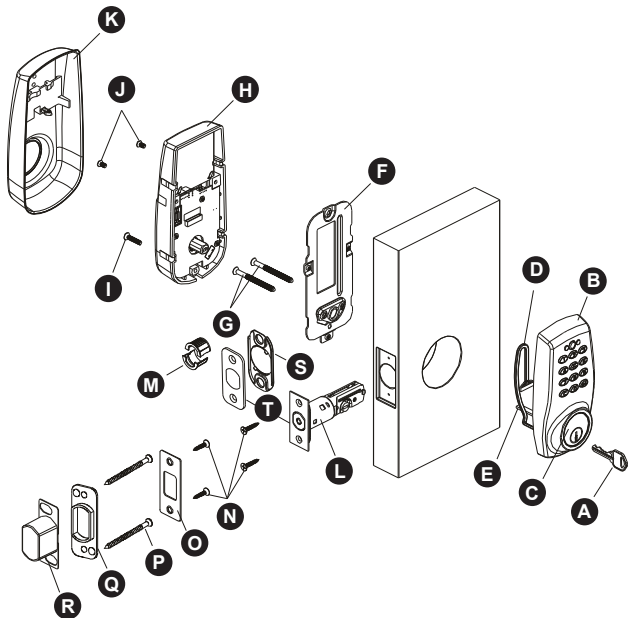
## IC Regulations






---

### (2) IC Regulations

This Class B digital apparatus complies with Canadian ICES-003 .  
Cet appareil numérique de la classe B est conforme à la norme NMB-003 du Canada.

# COMPONENTS OF ELECTRONIC KEYPAD DEADBOLT



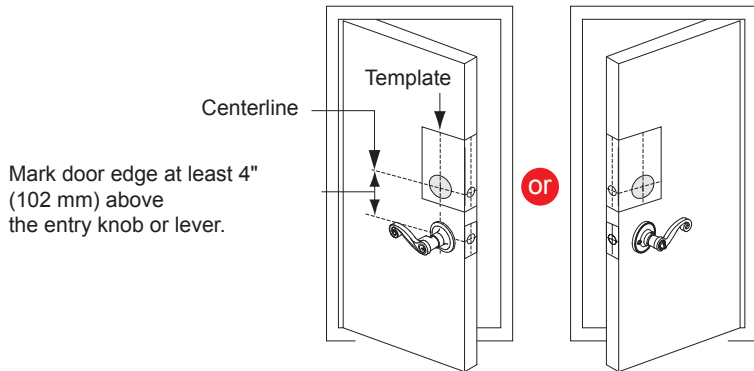
- A** Key
- B** Exterior Assembly
- C** Cylinder
- D** Power Strip
- E** Tailpiece
- F** Mounting Plate
- G** 2-1/8" (54mm) Mounting Bolt (2)
  - 
- H** Interior Assembly
- I** 13/16" (20mm) Screw (1)
  - 
- J** 5/16" (7.8mm) Screw (2)
  - 
- K** Interior Cover
- L** Latch
- M** Drive in Collar (optional)
- N** 3/4" (19mm) Wood Screw (4)
  - 
- O** Strike Plate
- P** 3" (76mm) Wood Screw (2)
  - 
- Q** Reinforced Strike Plate
- R** Dust Box
- S** Bottom Plate (optional)
- T** Square or Radius Faceplate (optional)

# DOOR PREPARATION

## 1 MARK DOOR with TEMPLATE (ATTACHED SEPARATELY)

**Note:** If replacing an existing lock or installing in a pre-drilled door, begin with page 8.

- Use TEMPLATE to mark centerline on door for deadbolt at least 4" (102 mm) above the existing knob or lever.
- Stand so door swings towards you. Align template on centerline and fold template as shown.

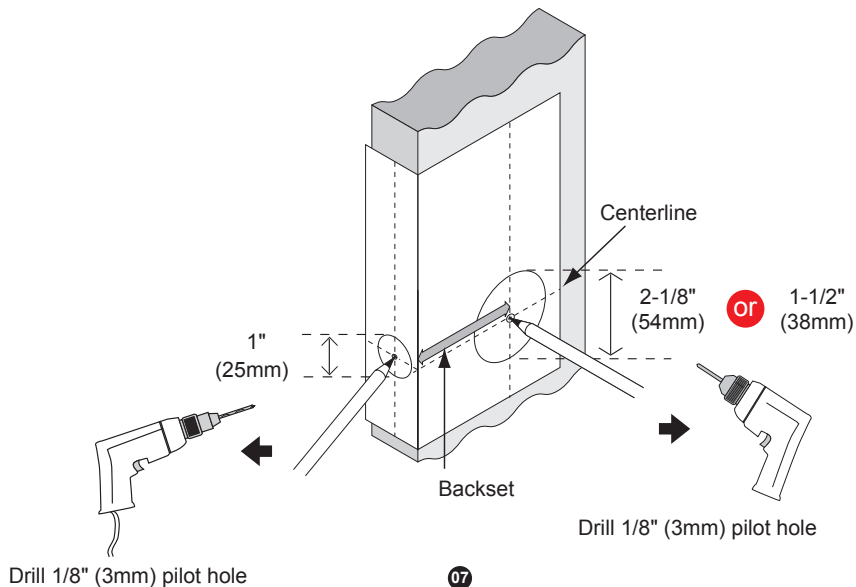




# DOOR PREPARATION

## 2 MARK and DRILL PILOT HOLES

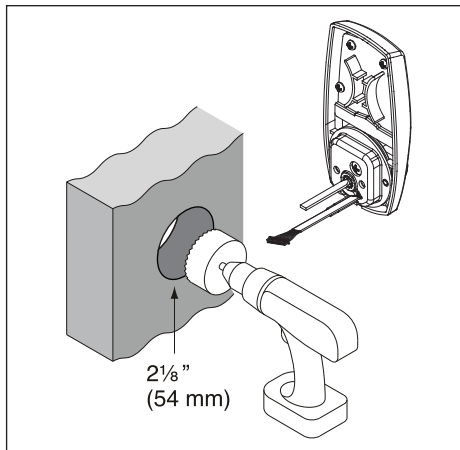
Select backset. Mark and drill pilot holes as shown.



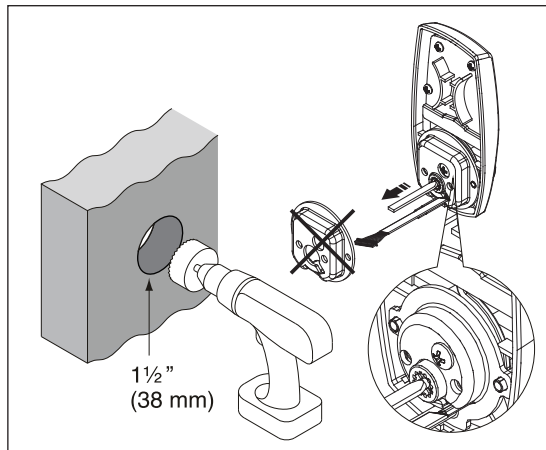
# DOOR PREPARATION

## 3 DRILL DOOR HOLE for the LOCKSET

- a. Drill a 2-1/8" (54mm) or 1-1/2" (38mm) hole on the door face from both sides to avoid wood splitting.



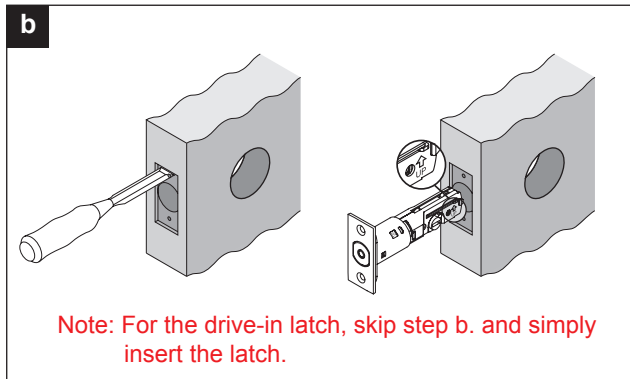
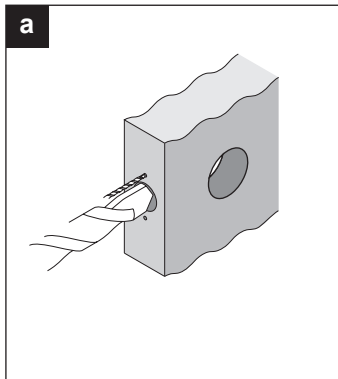
or



# DOOR PREPARATION

## 4 DRILL DOOR HOLE for the LATCH

- Drill a 1" (25mm) hole in the door edge for the latch.
- Use faceplate as a pattern for mortise and pilot holes. Chisel 1/8" (3mm) deep. Faceplate should fit flush.
- Install as shown for appropriate latch type.



# DOOR PREPARATION

## 5 PREPARE DOOR JAMB and INSTALL STRIKE PLATE

### Door jamb hole dimension

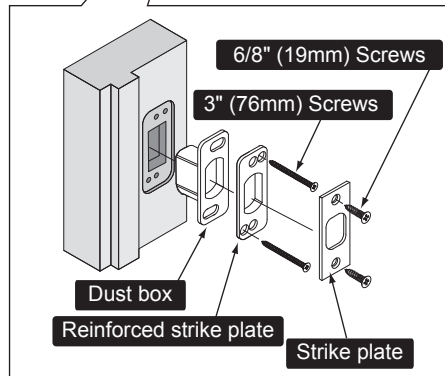
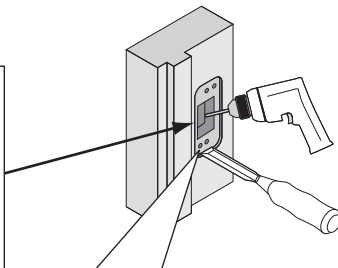
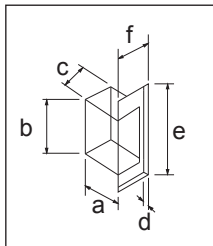
- a. 1-3/16" (30mm)
- b. 1-9/16" (40mm)
- c. 1" (25mm)

### Strike dimension

- d. 5/32" (4mm)
- e. 2-3/4" (70mm)
- f. 1-1/8" (28mm)

### Note:

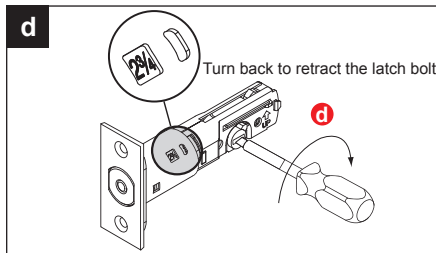
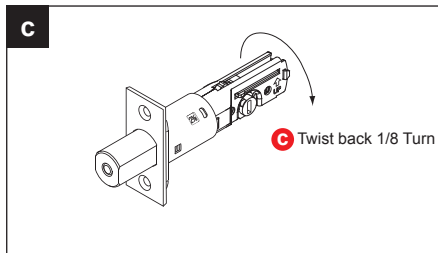
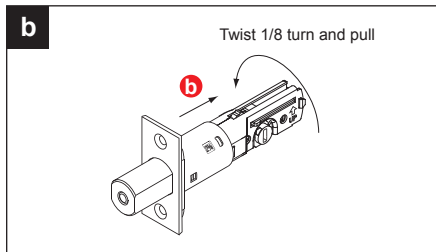
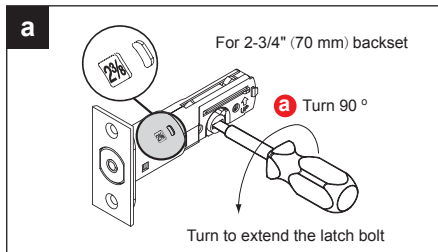
The dust box and reinforced strike plate are optional, but installation is recommended for maximum security.



# INSTALLATION

## 1 LATCH BACKSET ADJUSTMENT

Latch backset adjustment only needs to be made if your door needs a 2-3/4" (70mm) backset. Please follow diagrams below for reference.  
(Skip this if your door has a 2-3/8" (60mm) backset)



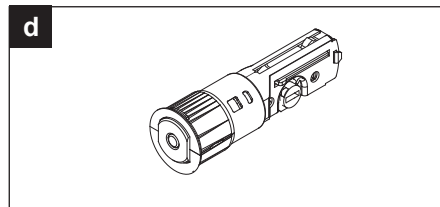
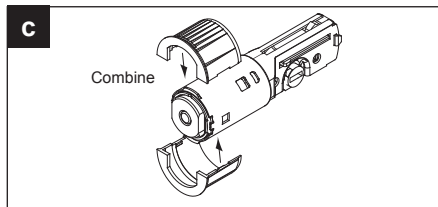
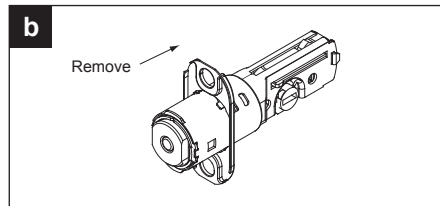
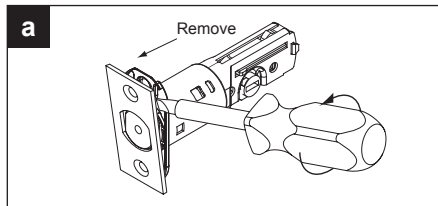
# INSTALLATION

## 2 DRIVE-IN COLLAR or FACEPLATE ADJUSTMENT

In addition to 2-3/8" (60mm) or 2-3/4" (70mm) adjustable backset, you may also change the faceplate to drive-in collar.

(If your door is not a drive in latch type, please skip this step)

**Note:** Reverse the steps below if you need to change the drive-in collar to the faceplate.



# INSTALLATION

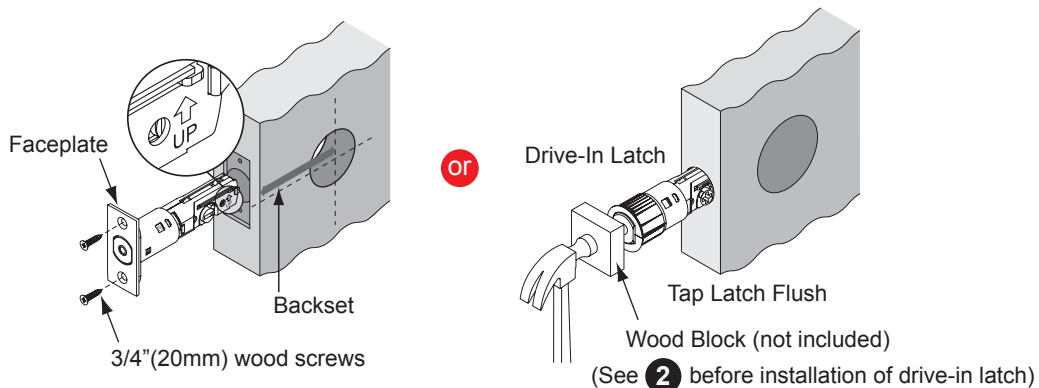
## 3 INSTALL the LATCH in MORTISED AREA or INSTALL the DRIVE-IN LATCH

If the backset of your door is 2-3/8" (60mm), please install now.

If your door is set up to use a standard type latch, install with the 3/4" (20mm) screws that are provided.

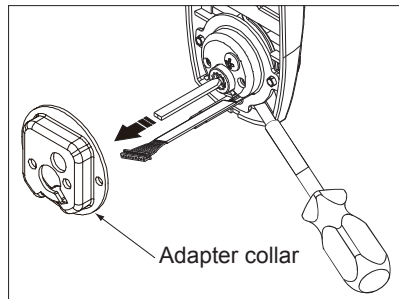
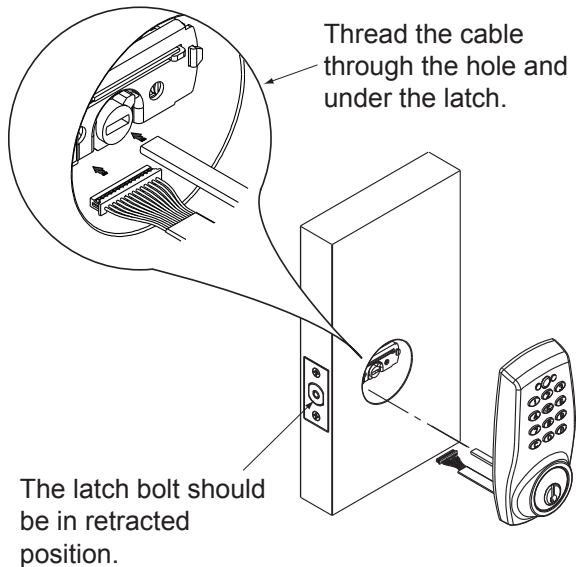
If you use the drive-in type latch, tap it in place.

**Note:** Make sure that the latch moves into and out of the strike plate smoothly.  
This lock has a motorized bolt and must not drag or bind when moving.



# INSTALLATION

4

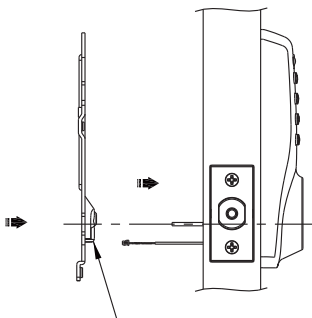


For installation into 1-1/2" (38mm) bore hole, simply pry the adapter collar off with a screwdriver.

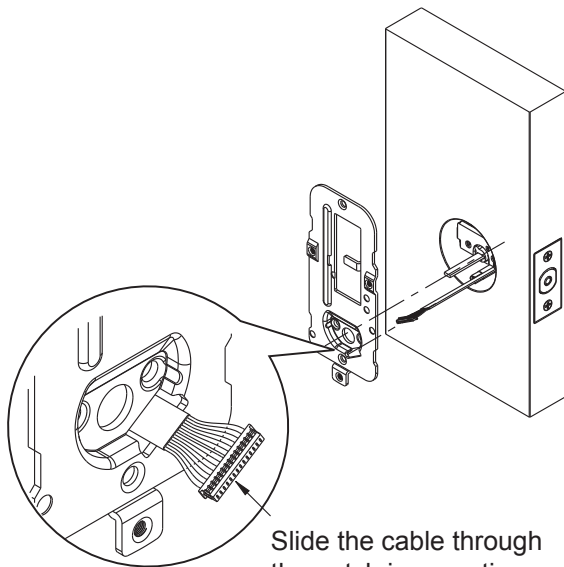


# INSTALLATION

5



The bulged part of the mounting plate must face towards the door.

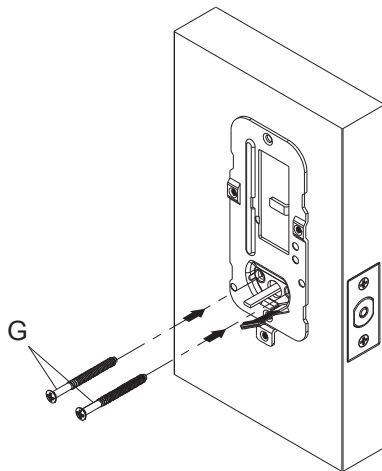
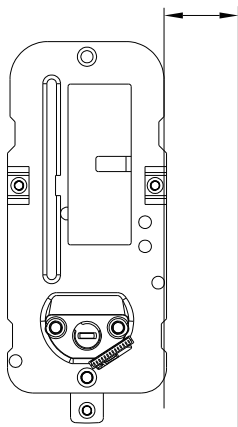


Slide the cable through the notch in mounting plate.

# INSTALLATION

- 6 Keep parallel the mounting plate and the door side.

Insert 2-1/8" (54mm) mounting bolts(2) and tighten.



2-1/8" (54mm) Mounting Bolt (2)

# INSTALLATION

## 7 REMOVE the INTERIOR ESCUTCHEON



1. Hold on the lip of interior escutcheon.



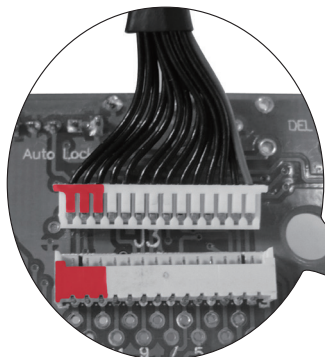
2. Put thumbs on the turn piece.



3. Remove the interior escutcheon by pushing turn piece.

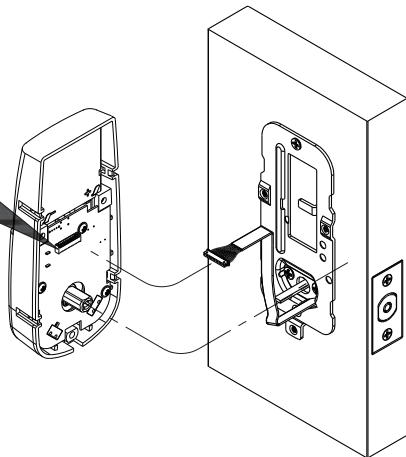
# INSTALLATION

8



Connect the cable into connector port firmly.

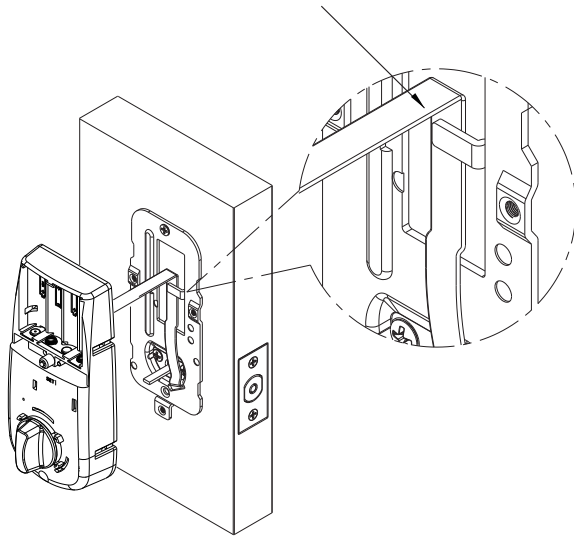
**Note:**  
The metal connector side should face outward.



# INSTALLATION

9

The cable must be arranged as shown.

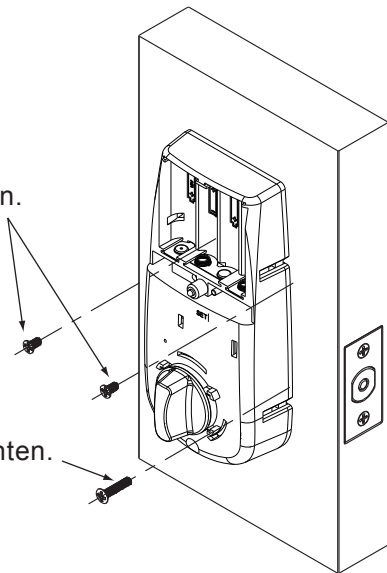


# INSTALLATION

10

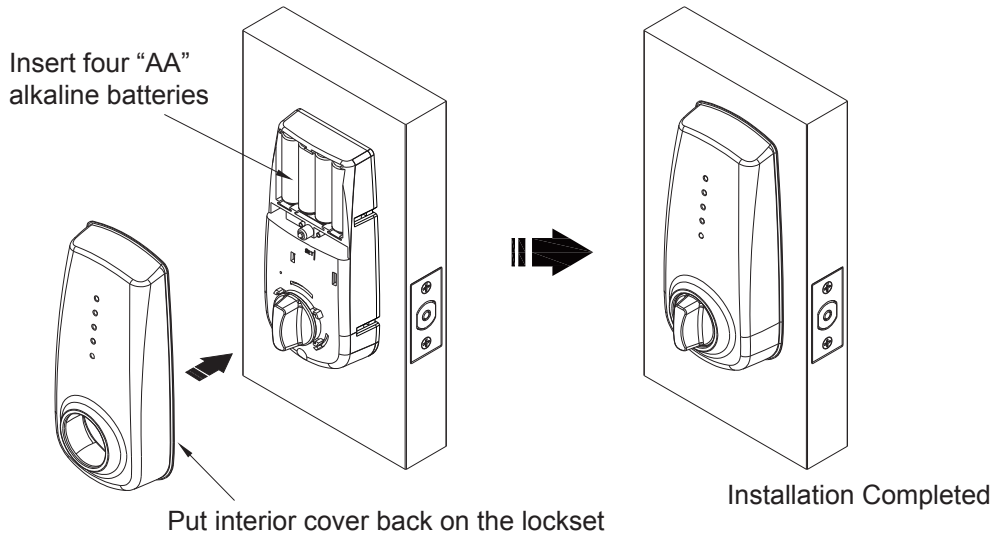
Insert 5/16" (8mm) screw (2) and tighten.

Insert 13/16" (20mm) screw (1) and tighten.



# INSTALLATION

11



# OVERVIEW of FUNCTIONS

## EXTERIOR Indicator LIGHT

1. Green light: the user code entered is a valid code.
2. Red light: The user code entered is an invalid code / Under programming mode.
3. Yellow light: Low battery warning.

★ All batteries should be replaced for home security.

## KEYPAD

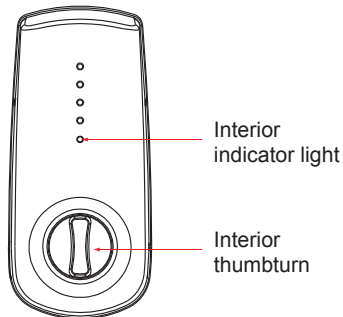
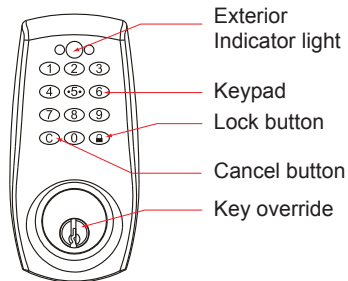
1. Used to unlock the lockset by entering a valid user code.
2. Used to program the lockset.
3. Press (C) button to cancel any input.
4. Press (🔒) button to lock the lockset.

## KEY OVERRIDE

1. Used to unlock the lockset with a valid key.

## INTERIOR THUMBTURN

1. Used to lock or unlock the lockset manually.





# CODE INFORMATION

## PROGRAMMING CODE


1. Programming Code provides ability to fully program and re-program the deadbolt, change/ delete/ add individual user entry codes, or unlock the deadbolt.
2. Programming Code is restricted to **6 digits**. The factory preset Programming Code is: **1-2-3-4-5-6**.

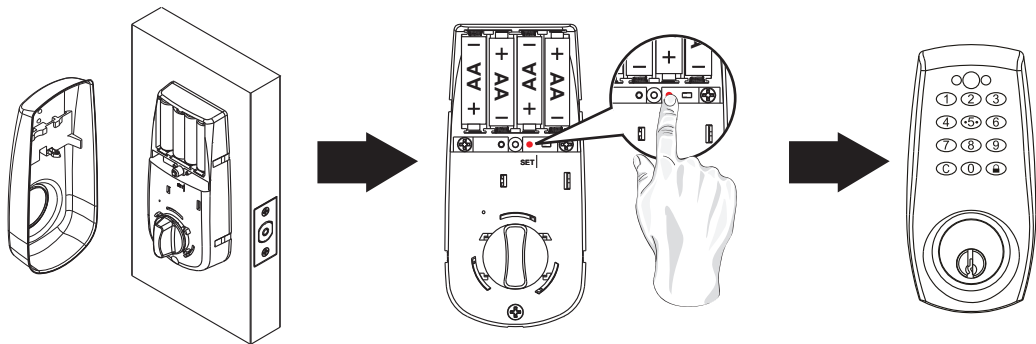
## USER ENTRY CODE

1. User Entry Code allows the individual user to lock and unlock the deadbolt.
2. User Entry Code can be **4 to 6 digits**.
3. Maximum of **10** User Entry Codes can be programmed into one deadbolt.
4. Individual User Codes can be changed/ deleted/ added to the lockset only by using the Programming Code.

# PROGRAMMING MODE

**You must enter programming mode before setting up any function:**



1. Press and hold 【SET】 button for 2 seconds. The Red LED will light up and beep twice. You have now entered programming mode.
2. Enter 123456 (or current programming code) and then press .
3. The lockset is ready for programming please refer to the following pages for individual function set-up.

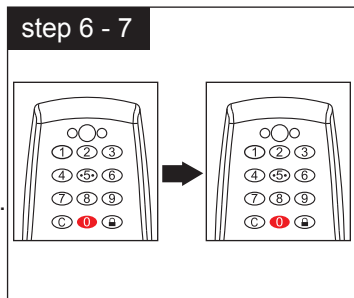
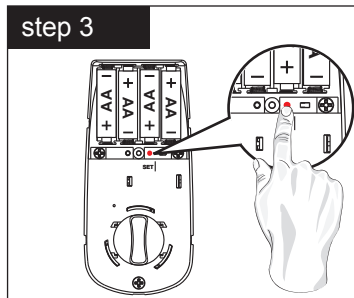


# SETTING MODE

## 1.Function Code 【00】 : Automatic bolt direction determination

### Programming step:

- 1.Install ALKALINE Batteries ONLY
- 2.Make sure the deadbolt is retracted.
- 3.Press and hold the 【SET】 button for 2 seconds.  
The Red LED will light up and beep twice.  
You have now entered programming mode.
- 4.The lockset will return to stand-by status if no button is pressed for 10 seconds in programming mode.
- 5.Enter 123456 (or current programming code) and then press  .
- 6.Proceed with the following:  
**Enter 【00】 → **
- 7.Wait for 10 seconds while the lockset detects its orientation.  
The lockset will then return to stand-by status.  
Programming is completed.



# SETTING MODE

## 2.Function Code 【10】 : Change Preset or Current Programming Code


### Programming steps:

**Note:** The lockset will return to the stand-by status if no button is pressed for 10 seconds in programming mode.

1.Press and hold the 【SET】 button for 2 seconds.

The Red LED will light up and beep twice.

You have now entered programming mode.

2.Enter 123456 (or current programming code) and then press  .

3.Proceed with the following:

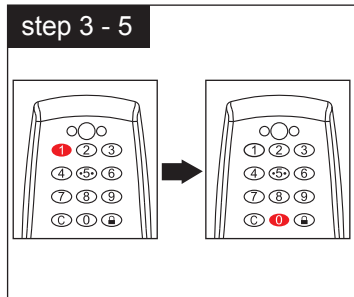
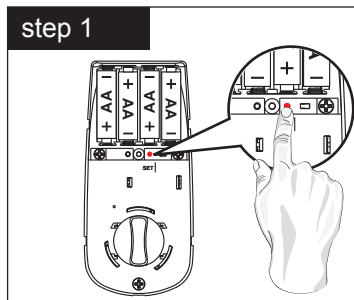
Enter 【10】 →  New Programming Code(6 digits) → 

4.Lockset will beep once after each step for confirmation.

5.Wait for 10 seconds after the last button is pressed.

The lockset will then return to stand-by status.

Programming is completed.



# SETTING MODE


## 3.Function Code [20] : Add One or More User Codes

Important:

1.Maximum user code capacity: 10 user codes (4-6 digits).

### Programming steps:

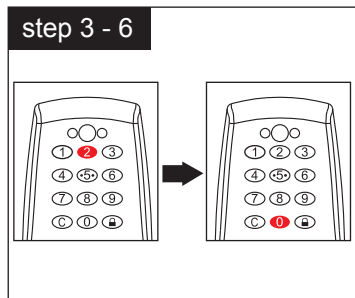
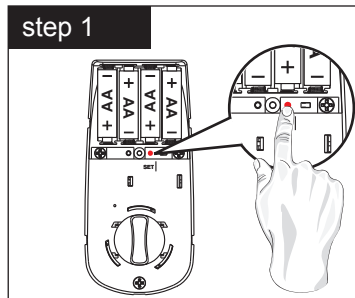
**Note: The lockset will return to the stand-by status if no button is pressed in 10 seconds in programming mode.**

- 1.Press and hold the [SET] button for 2 seconds. The Red LED will light up and beep twice. You have now entered programming mode.
- 2.Enter 123456 (or current programming code) and then press .

3.Proceed with the following:

Enter [20] →  → New User Code (4-6 digits) → 

- 4.Lockset will beep once after each step as confirmation.
- 5.Should there be any more user codes to add, repeat step 3 above in 10 seconds.
- 6.Wait for 10 seconds after the last user code is entered. The lockset will then return to stand-by status. Programming is completed.



# SETTING MODE


## 4.Function Code [ 21 ] : Add One or More Single-use User Codes

Important:

- 1.The single-use user code can be used for only one successful entry and will be invalid when the lockset is locked again.
- 2.The auto-lock mode should be activated prior to the following steps, so the door is locked when the single-use user leaves the building.
- 3.Maximum single-use user code capacity: 5 user codes (4 digits).

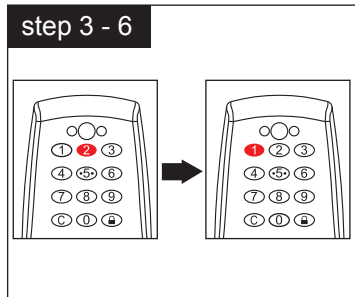
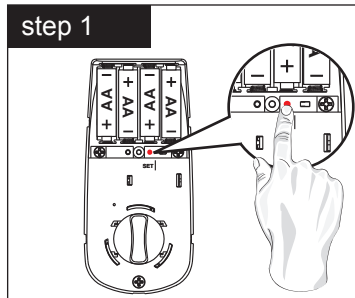
### Programming steps:

**Note: The lockset will return to the stand-by status if no button is pressed in 10 seconds in programming mode.**

- 1.Press and hold the [SET] button for 2 seconds. The Red LED will light up and beep twice. You have now entered programming mode.
- 2.Enter 123456 (or current programming code) and then press .
- 3.Proceed with the following:

Enter [ 21 ] →  → Single-use User Code (4 digits) → 

- 4.Lockset will beep once after each step as confirmation.
- 5.Should there be any more single-use user codes to add, repeat step 3 and be aware of the 10-second limit.
- 6.Wait for 10 seconds after the last single-use user code is entered.  
The lockset will then return to stand-by status. Programming is completed.




# SETTING MODE

## 5.Function Code 【30】 : Delete INDIVIDUAL User Code

### Programming steps:

**Note:** The lockset will return to the stand-by status if no button is pressed in 10 seconds in programming mode.

1.Press and hold the 【SET】 button for 2 seconds. The Red LED will light up and beep twice. You have now entered programming mode.

2.Enter 123456 (or current programming code) and then press .

3.Proceed with the following:

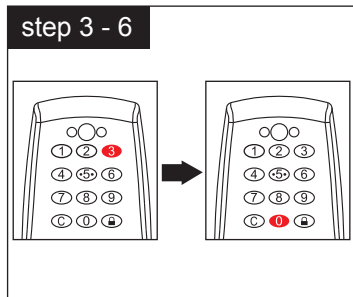
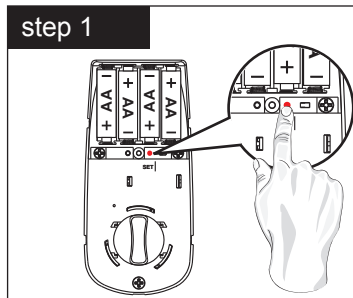
Enter 【30】 →  → User Code to be deleted → 

4.Lockset will beep once after each step as confirmation.

5.Should there be any more user codes to delete, repeat step 3 above in 10 seconds.

6.Wait for 10 seconds after the last user code is deleted. The lockset will then return to stand-by status.

Programming is completed.





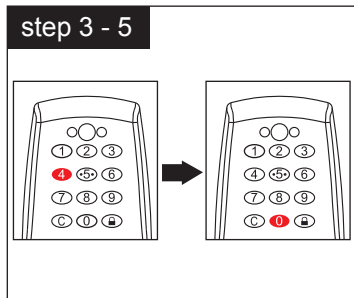
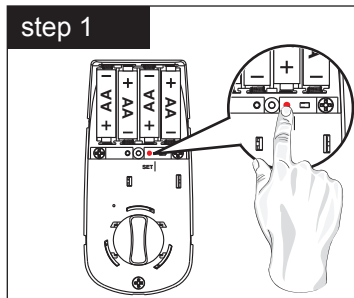
# SETTING MODE

## 6.Function Code [40] : Delete ALL User Codes

### Programming steps:

**Note:** The lockset will return to the stand-by status if no button is pressed in 10 seconds in programming mode.

- 1.Press and hold the [SET] button for 2 seconds. The Red LED will light up and beep twice. You have now entered programming mode.
- 2.Enter 123456 (or current programming code) and then press .
- 3.Proceed with the following:  
Enter [40] →  → Press "C" ( for over 3 seconds )
- 4.Lockset will beep once and the green LED will flash.
- 5.Programming is completed.










# SETTING MODE

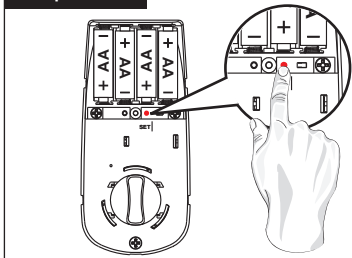
## 7.Function Code [ 50 ] : Temporarily Disable ALL User Codes (Vacation Mode)

### Programming steps:

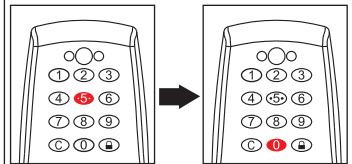
**Note:** The lockset will return to the stand-by status if no button is pressed in 10 seconds in programming mode.

- 1.Press and hold the [SET] button for 2 seconds. The Red LED will light up and beep twice. You have now entered programming mode.
- 2.Enter 123456 (or current programming code) and then press .
- 3.Proceed with the following to **TURN ON** vacation mode:  
Enter [50] →  → Press [0] → 
- 4.Proceed with the following to **TURN OFF** vacation mode:  
Enter [50] →  → Press [1] → 
- 5.Lockset will beep once after each step as confirm.
- 6.Wait for 10 seconds and the lockset will then return to stand-by status. Programming is completed.

step 1



step 3 - 6








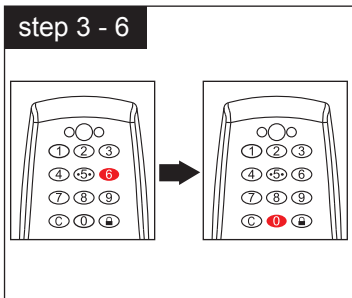
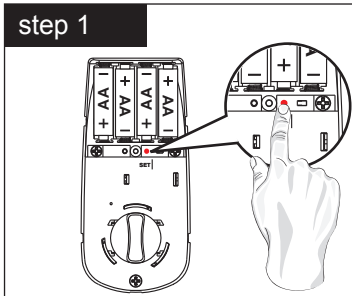
# SETTING MODE

## 8.Function Code 【60】 : Disable Button Sound (Mute Mode)

### Programming steps:

**Note:** The lockset will return to the stand-by status if no button is pressed in 10 seconds in programming mode.

- 1.Press and hold thw 【SET】 button for 2 seconds. The Red LED will light up and beep twice. You have now entered programming mode.
- 2.Enter 123456 (or current programming code) and then press .
- 3.Proceed with the following to **TURN ON** mute mode:  
Enter 【60】 →  → Press 【0】 → 
- 4.Proceed with the following to **TURN OFF** mute mode:  
Enter 【60】 →  → Press 【1】 → 
- 5.Lockset will beep once after each step as confirmation.
- 6.Wait for 10 seconds and the lockset will then return to stand-by status. Programming is completed.



# SETTING MODE




## 9.Function Code [70] : Set up Auto-lock Time Delay

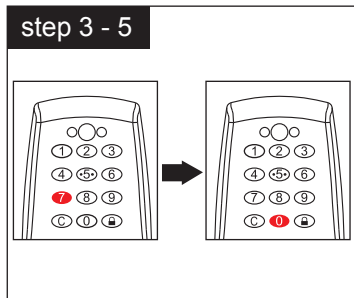
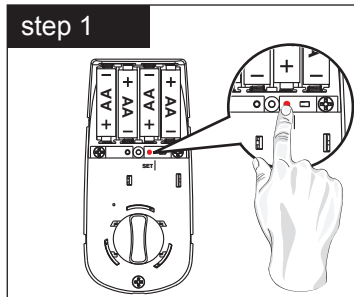
Important:

- 1.Default auto-lock time delay: 10 seconds.
- 2.Auto-lock time delay range: 10 – 90 seconds.
- 3.Three flashes and beeps will be presented if incorrect amount is entered e.g. less than 10 or more than 90 seconds.

### Programming steps:

**Note: The lockset will return to the stand-by status if no button is pressed in 10 seconds in programming mode.**

- 1.Press and hold the [SET] button for 2 seconds. The Red LED will light up and beep twice. You have now entered programming mode.
- 2.Enter 123456 (or current programming code) and then press .
- 3.Proceed with the following:  
Enter [70] →  → Enter new amount (10 - 99) → 
- 4.Lockset will beep once after each step as confirmation.
- 5.Wait for 10 seconds and the lockset will then return to stand-by status. Programming is completed.








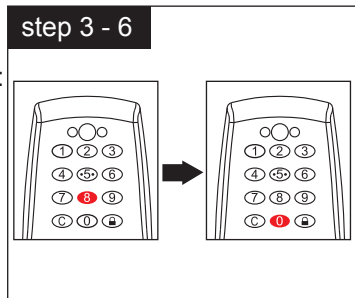
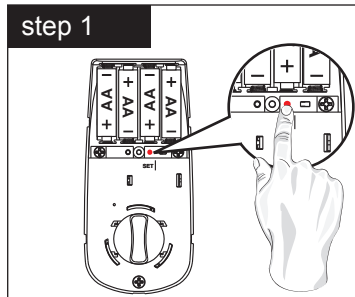
# SETTING MODE

## 10.Function Code 【80】 : Switch Auto-lock Function

### Programming steps:

**Note:** The lockset will return to the stand-by status if no button is pressed in 10 seconds in programming mode.

- 1.Press and hold the 【SET】 button for 2 seconds. The Red LED will light up and beep twice. You have now entered programming mode.
- 2.Enter 123456 (or current programming code) and then press .
- 3.Proceed with the following to **TURN ON** auto-lock function:  
Enter 【80】 →  → Press 【0】 → 
- 4.Proceed with the following to **TURN OFF** auto-lock function:  
Enter 【80】 →  → Press 【1】 → 
- 5.Lockset will beep once after each step as confirmation.
- 6.Wait for 10 seconds and the lockset will then return to stand-by status. Programming is completed.



# SETTING MODE

## 11.Restore Factory Setting

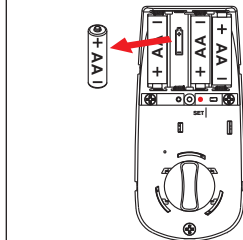
### Programming steps:

- 1.Remove one battery from the battery pack.
- 2.Press the 【SET】 button and place the battery back simultaneously. The Green LED will light and " beep " twice. All functions will be restored back to factory setting.

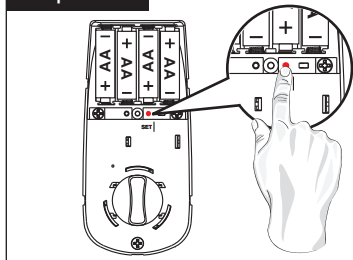
Note :

All existing user codes and current programming code will be deleted. Lockset will be restored to preset programming code 1-2-3-4-5-6. Please change the programming code and add a new user code immediatly before operating lock.

step 1



step 2

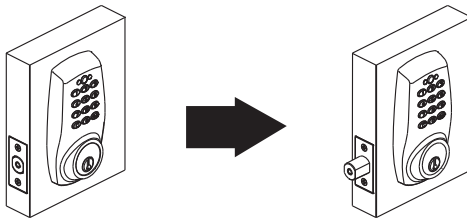


# OPERATION MODE

## LOCK OPERATION

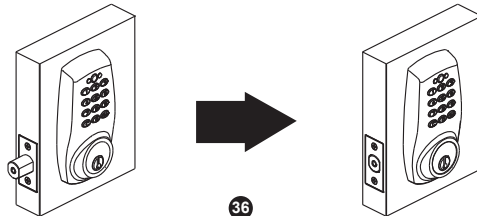
To lock:

Press  button to lock. ( The Green LED will light up and a short beep will sound )



To unlock :

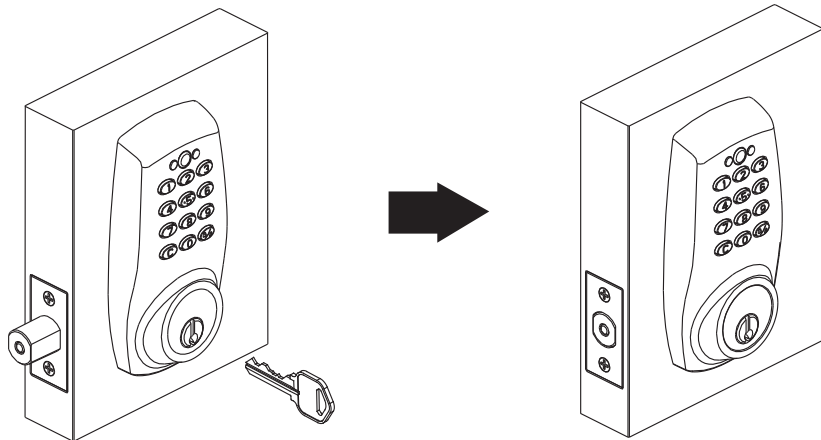
Enter a valid user code ( 4 - 6 digits ) to retract the latch bolt.



# OPERATION MODE

## SECURITY MODE

1. The keypad will be automatically deactivated for 1 minute after 4 incorrect attempts.
2. Wrong entry is not counted if "C" is pressed in the process.
3. The deadbolt can be locked or unlocked by a valid mechanical key in security mode.




# TROUBLESHOOTING GUIDE (INSTALLATION)

| Problem  | Solution  |
|--|---|
| 1.The latch does not operate correctly after installation. | <ol style="list-style-type: none"><li>a.Check center of strike hole for alignment with latch hole on the door to ensure free movement of the latch bolt.</li><li>b.Make sure the torque blade is properly inserted(in the horizontal position) in the latch drive.</li><li>c.Make sure the AUTOMATIC BOLT DIRECTION ADJUSTMENT procedure was run properly following installation. Refer to page 25.</li></ol> |
| 2.A bump is felt while turning the thumbturn or the key?   | <ol style="list-style-type: none"><li>a.Execute lock &amp; unlock function to allow the motor to reposition itself.</li></ol>   |




# TROUBLESHOOTING GUIDE (OPERATION)

| Problem                            | Solution   |
|------------------------------------|--|
| 1. Keypad does not respond at all. | <ul style="list-style-type: none"><li>a. Check to see if the batteries are correctly-installed.</li><li>b. Check to see if the Yellow LED is flashing. If the light is flashing, replace the batteries with new ones.</li><li>c. Make sure the cable is well-connected to the port.</li></ul>  |
| 2. Cannot change programming code. | <ul style="list-style-type: none"><li>a. Complete the " CHANGE PROGRAMMING CODE " process by inputting codes within 10 seconds.</li><li>b. Make sure you have entered the new programming code correctly (refer to page 26 ) or go back to the factory settings (refer to page 35 ).</li></ul>   |
| 3. Can not delete all user codes.  | <ul style="list-style-type: none"><li>a. Make sure all code inputting processes are completed within 10 seconds.</li><li>b. Make sure you have entered the correct programming code.</li><li>c. The  button should be pressed for over 3 seconds.</li></ul> |

# TROUBLESHOOTING GUIDE (OPERATION)

| Problem                                       | Solution   |
|---|--|
| 4. Cannot add a new user code.                | <ul style="list-style-type: none"><li>a. Make sure all code inputting processes are completed within 10 seconds.</li><li>b. Make sure you have entered the correct programming code.</li><li>c. The new user code will not be accepted if 10 user codes are already stored in the memory.</li></ul>                  |
| 5. The lockset can not be unlocked by keypad. | <ul style="list-style-type: none"><li>a. Make sure you have entered the correct user code.</li><li>b. Check to see if the Yellow LED is flashing. If the light is flashing, replace the batteries with new ones.</li><li>c. Make sure the strike plate is installed correctly if you see the latch jammed.</li></ul> |
| 6. Unable to reset the lockset.               | <ul style="list-style-type: none"><li>a. Refer to "RESTORE FACTORY SETTING" section on page 35 and make sure all steps are followed correctly.</li><li>b. Check to see if the Yellow LED is flashing. If the light is flashing, replace the batteries with new ones.</li></ul>                                       |

## TROUBLESHOOTING GUIDE (OPERATION)

| QUESTIONS   | ANSWERS  |
|---|--|
| 7.Red LED light is still on after setting is completed. | a.Check whether the 【SET】 button is jammed.<br>b.Re-install the batteries.   |
| 8."Auto lock" function does not work.                   | a.Check to see if the Yellow LED is flashing. If the light is flashing, replace the batteries with new ones.   |
| 9.Yellow LED light keeps flashing.                      | a.The batteries are getting low, please reinstall four new batteries for best performance(Alkaline batteries only )  |
| 10.What should I do if a wrong code was entered?        | a.Press  button once and continue to enter code according to normal procedures. |
| 11.How to illuminate the keypad?                        | a.Press any button on the keypad to initiate LED backlight.  |

Please contact your local service provider if any of the above suggestions do not resolve the problem.

# INFORMATION PAGE

## SECURITY INSTRUCTIONS

1. Do not share the programming code with anyone else.
2. Keep a written copy of all valid user codes in a safe place.  
( You may use the table below to record your information)
3. The memory capacity for user codes is 10 sets.
4. It is **STRONGLY** recommended you change all codes if any security information in the table is lost.

|                  |
|------------------|
| Programming code |
|                  |

| Name | User code | Name | User code |
|------|-----------|------|-----------|
|      |           |      |           |
|      |           |      |           |
|      |           |      |           |
|      |           |      |           |
|      |           |      |           |

## LIMITED 25 YEARS MECHANICAL AND 1 YEAR ELECTRONIC WARRANTY

The retailer of this product hereby warrants, subject to the conditions set forth below, that it will either repair or replace, at its discretion, this product if it proves to be defective by reason of improper workmanship or materials within the original purchaser's limited time. In order to obtain repairs or replacement under this limited warranty you must bring this product to the retailer store in which you bought it.

Original purchaser: This limited warranty is limited to the original purchaser at retail of this product from retailer.

Except to the extent prohibited by applicable law, no other warranties, whether express or implied, including the warranties of merchantability and fitness for a particular purpose, shall apply to this product. Under no circumstances shall retailer be liable for consequential or incidental damages in connection with this product. To the extent retailer is prohibited by applicable law from excluding implied warranties, the duration of such implied warranties which are not excludable shall be the original purchaser's lifetime. Some states do not allow the limitation on how long an implied warranty lasts, so the above limitation on the duration of implied warranties which are not excludable, if any, may not apply to you. Some states do not allow the exclusion or limitation of incidental or consequential damages, so the above limitation or exclusion of incidental or consequential damages may not apply to you.

Retailer neither assumes nor authorizes any representative or other person to assume for it any obligation or liability other than such as is expressly set forth herein. This limited warranty gives you specific legal rights, and you may also have other rights which vary from state to state.

