

# Single Cylinder Deadbolt

## PD2 Series



### FEATURES & OPTIONS

#### Door Preparation

Cross Bore: 2-1/8", Edge: 1"

#### Latch Backset

Adjustable deadbolt latch standard

#### Faceplate

1" x 2-1/4" round corner standard  
(other options available)

#### Bolt

1" throw

#### Door Thickness

Fit 1-3/8" to 1-3/4" standard

#### Cylinder

5-pin KW keyway solid brass cylinder standard

#### Strike Plate

2-1/4" x 1" round corner standard  
(other options available)

#### Handing

Non-Handed

#### Material

Zinc die-cast lever

#### ANSI/BHMA

A 156.2 Grade 3

### FINISHES

(other finishes available upon request with lead-time)

- USL03 – 505 – Lifetime Polished Brass
- US3 – 605 – Polished Brass
- US5 – 609 – Antique Brass
- US10B – 613 – Oil Rubbed Bronze
- US15 – 619 – Satin Nickel
- US15A – 620 – Antique Nickel
- US26D – 626 – Satin Chrome
- US32D – 630 – Satin Stainless Steel
- US12P – 716 – Dark Bronze

### WARRANTY

- 25-year mechanical warranty
- Five years finish warranty

### FUNCTIONS

#### Single Cylinder – E2151 (PD21)

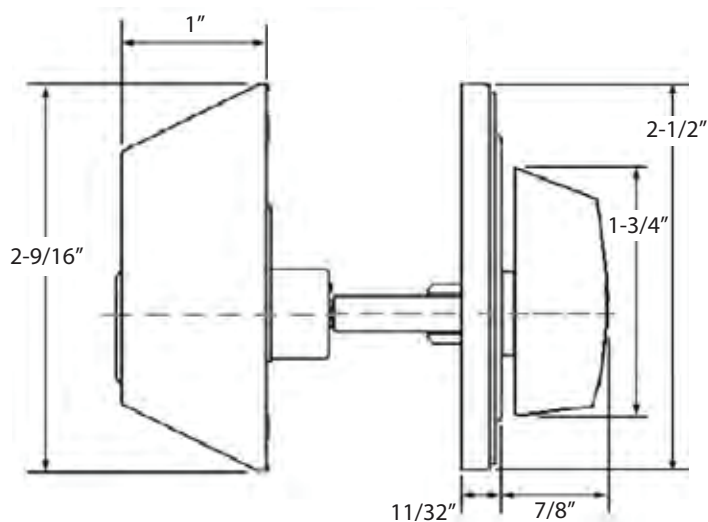
Bolt is operated by key from outside and turn-piece inside.

#### Double Cylinder – E2141 (PD22)

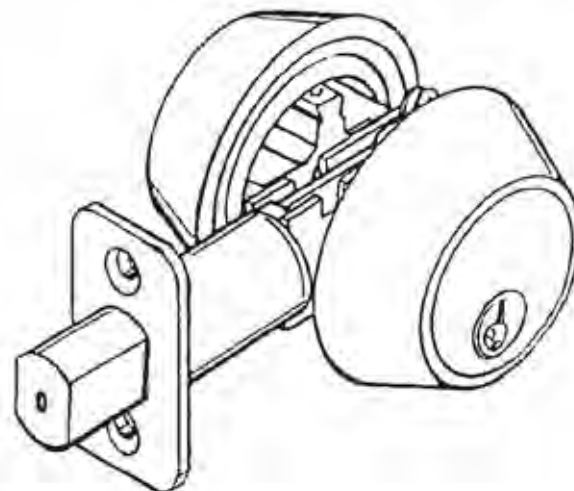
Bolt is operated by key on both sides.

#### One-Sided – E2161 (PD24)

Bolt is operated by turn-piece from inside only.



# Double Cylinder Deadbolt *PD2 Series*



## FEATURES & OPTIONS

### Door Preparation

Cross Bore: 2-1/8", Edge: 1"

### Latch Backset

Adjustable deadbolt latch standard

### Faceplate

1" x 2-1/4" round corner standard  
(other options available)

### Bolt

1" throw

### Door Thickness

Fit 1-3/8" to 1-3/4" standard

### Cylinder

5-pin KW keyway solid brass cylinder standard

### Strike Plate

2-1/4" x 1" round corner standard  
(other options available)

### Handing

Non-Handed

### Material

Zinc die-cast lever

### ANSI/BHMA

A 156.2 Grade 3

## FINISHES

(other finishes available upon request with lead-time)

- USL03 – 505 – Lifetime Polished Brass
- US3 – 605 – Polished Brass
- US5 – 609 – Antique Brass
- US10B – 613 – Oil Rubbed Bronze
- US15 – 619 – Satin Nickel
- US15A – 620 – Antique Nickel
- US26D – 626 – Satin Chrome
- US32D – 630 – Satin Stainless Steel
- US12P – 716 – Dark Bronze

## WARRANTY

- 25-year mechanical warranty
- Five years finish warranty

## FUNCTIONS

### Single Cylinder – E2151 (PD21)

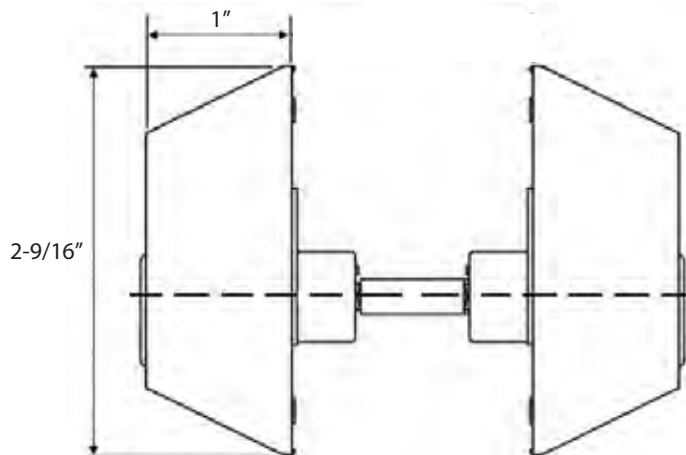
Bolt is operated by key from outside and turn-piece inside.

### Double Cylinder – E2141 (PD22)

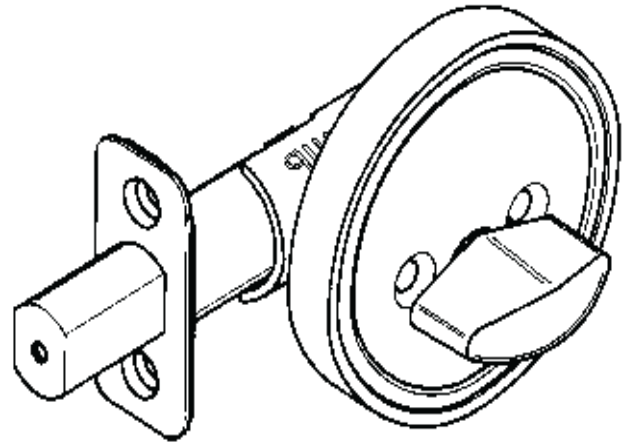
Bolt is operated by key on both sides.

### One-Sided – E2161 (PD24)

Bolt is operated by turn-piece from inside only.



# One-Sided Deadbolt *PD2 Series*



## FEATURES & OPTIONS

### Door Preparation

Cross Bore: 2-1/8", Edge: 1"

### Latch Backset

Adjustable deadbolt latch standard

### Faceplate

1" x 2-1/4" round corner standard  
(other options available)

### Bolt

1" throw

### Door Thickness

Fit 1-3/8" to 1-3/4" standard

### Cylinder

5-pin KW keyway solid brass cylinder standard

### Strike Plate

2-1/4" x 1" round corner standard  
(other options available)

### Handing

Non-Handed

### Material

Zinc die-cast lever

### ANSI/BHMA

A 156.2 Grade 3

## FINISHES

(other finishes available upon request with lead-time)

- US3 – 605 – Polished Brass
- US5 – 609 – Antique Brass
- US10B – 613 – Oil Rubbed Bronze
- US15 – 619 – Satin Nickel
- US15A – 620 – Antique Nickel
- US26D – 626 – Satin Chrome
- US32D – 630 – Satin Stainless Steel
- US12P – 716 – Dark Bronze

## WARRANTY

- 25-year mechanical warranty
- Five years finish warranty

## FUNCTIONS

### Single Cylinder – E2151 (PD21)

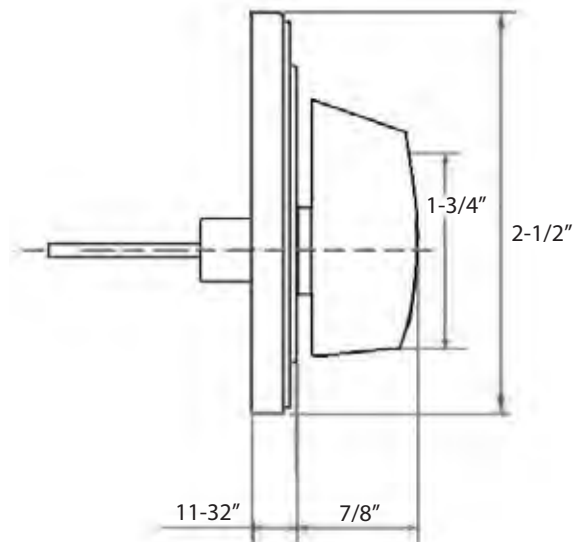
Bolt is operated by key from outside and turn-piece inside.

### Double Cylinder – E2141 (PD22)

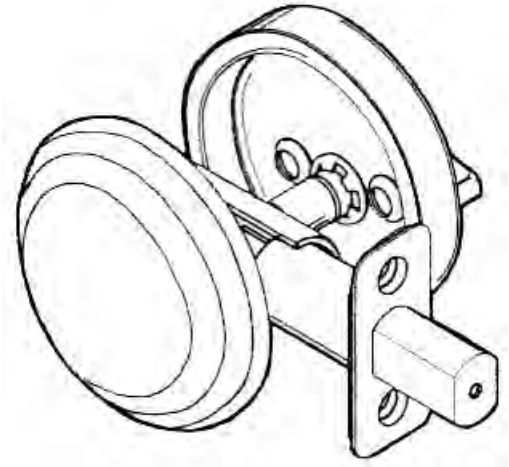
Bolt is operated by key on both sides.

### One-Sided – E2161 (PD24)

Bolt is operated by turn-piece from inside only.



# One-Sided Deadbolt w/ Cover *PD2 Series*



### FEATURES & OPTIONS

#### Door Preparation

Cross Bore: 2-1/8", Edge: 1"

#### Latch Backset

Adjustable deadbolt latch standard

#### Faceplate

1" x 2-1/4" round corner standard  
(other options available)

#### Bolt

1" throw

#### Door Thickness

Fit 1-3/8" to 1-3/4" standard

#### Cylinder

No Cylinder

#### Strike Plate

2-1/4" x 1" round corner standard  
(other options available)

#### Handing

Non-Handed

#### ANSI/BHMA

A 156.5 Grade 3

### FINISHES

(other finishes available upon request with lead-time)

- US3 – 605 – Polished Brass
- US5 – 609 – Antique Brass
- US15 – 619 – Satin Nickel
- US15A – 620 – Antique Nickel
- US26D – 626 – Satin Chrome
- US32D – 630 – Satin Stainless Steel
- US12P – 716 – Dark Bronze

### WARRANTY

- 25-year mechanical warranty
- Five years finish warranty

### FUNCTIONS

#### Single Cylinder – E2151 (PD21)

Bolt is operated by key from outside and turn-piece inside.

#### Double Cylinder – E2141 (PD22)

Bolt is operated by key on both sides.

#### One-Sided – E2161 (PD24)

Bolt is operated by turn-piece from inside only.

#### One-Sided w/ Cover – E2161 (PD26)

Bolt is operated by turn-piece from inside only, outside cover plate only.

