

18" x 3/4" Towel Bar (round bar)

Model: BC10-13818

Features

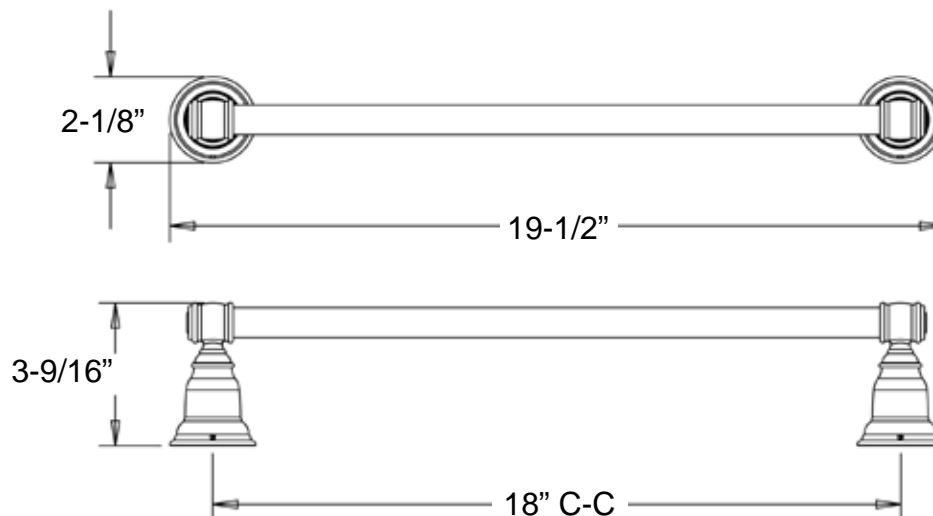
- Material: Zinc Die-cast
- Concealed Surface Mount Application
- Provided with
 - Mounting Plate: 1-13/16" x 1-3/8"
 - Plastic Anchors x 4
 - Steel Phillips Head Screws #8 x 1-1/4"
- Projection: 3-9/16" from Mounting Surface
- Overall Size: 19-1/2" x 2-1/8"

Charleston
Collection



Available Finish

- Chrome
- Satin Nickel
- Venetian Bronze
- Matte Black



24" x 3/4" Towel Bar (round bar)

Model: BC10-13824

Features

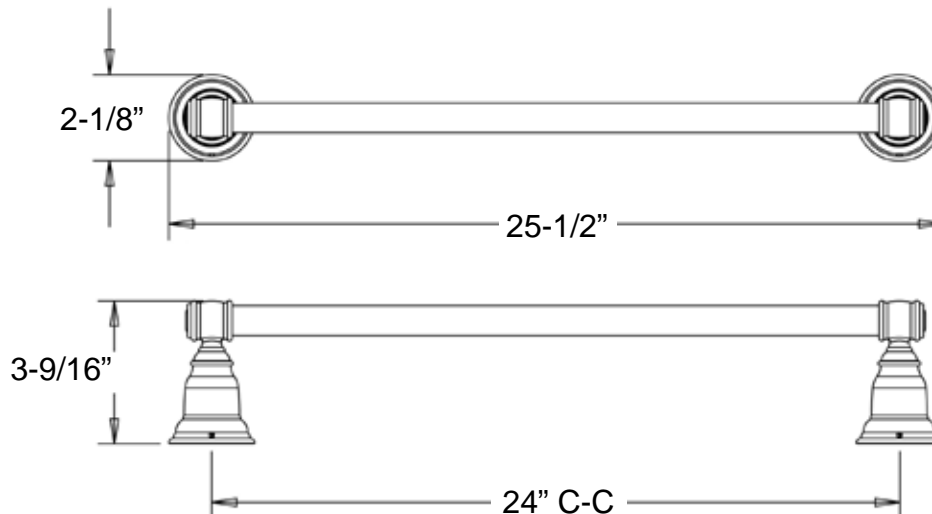
- Material: Zinc Die-cast
- Concealed Surface Mount Application
- Provided with
 - Mounting Plate: 1-13/16" x 1-3/8"
 - Plastic Anchors x 4
 - Steel Phillips Head Screws #8 x 1-1/4"
- Projection: 3-9/16" from Mounting Surface
- Overall Size: 25-1/2" x 2-1/8"

Charleston
Collection



Available Finish

- Chrome
- Satin Nickel
- Venetian Bronze
- Matte Black



30" x 3/4" Towel Bar (round bar)

Model: BC10-13830

Features

- Material: Zinc Die-cast
- Concealed Surface Mount Application
- Provided with
 - Mounting Plate: 1-13/16" x 1-3/8"
 - Plastic Anchors x 4
 - Steel Phillips Head Screws #8 x 1-1/4"
- Projection: 3-9/16" from Mounting Surface
- Overall Size: 31-1/2" x 2-1/8"

Charleston
Collection



Available Finish

- Chrome
- Satin Nickel
- Venetian Bronze
- Matte Black

