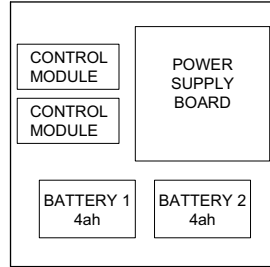
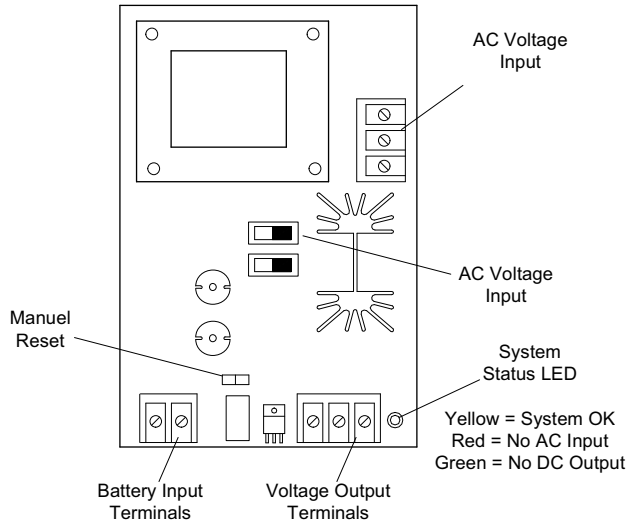
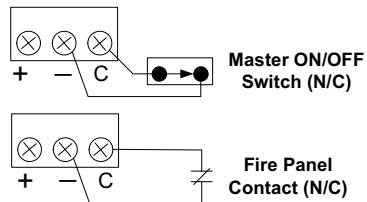


COMPONENT LOCATIONS



STANDARD BOX

MAIN SYSTEM ON-OFF OR FIRE PANEL CONNECTION



Min. Switch
OR
Contact Ratings
100mA @ 30vdc

Figure C

POWER SUPPLY SPECIFICATIONS

Input Voltage: 115/230 VAC @ 60hz
Input Current: 0.8 amps Max.

Output Voltage: 12/24VDC (Special Applications)
Burglary Use:

Output Voltage Ranges:
12 V Operation: 9.2 – 12.0 VDC
24 V Operation: 21.2 – 24.0 VDC

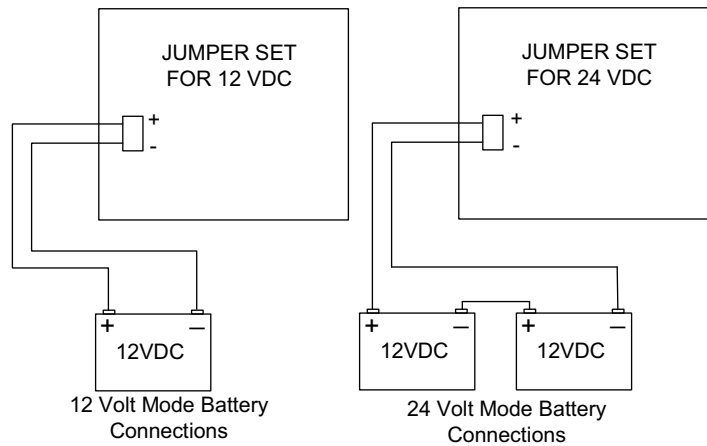
Output Current: 1.0 amps
Ripple Voltage: 0.05 Volts Max

Battery Charger Max Current: 0.25 amps
Maximum recommended battery size: 4ah
(Replace batteries every three years)

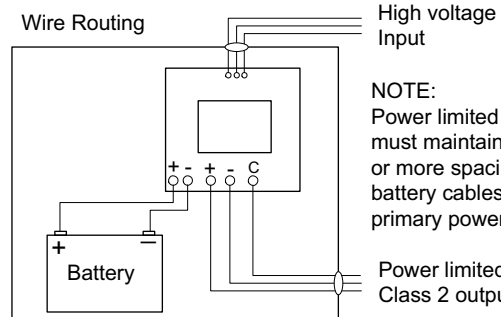
Suitable Uses:
Electric Lock Power Supply
Access Control Power Supply
Burglar Alarm System Power Supply
Fire Protective Signaling Service

NOT INTENDED TO POWER A LOCAL
BURGLAR ALARM INDICATING DEVICE.

TEST UNIT YEARLY



Wire Routing



NOTE:
Power limited cable
must maintain a 1/4"
or more spacing from
battery cables or
primary power wires.

Power limited
Class 2 output