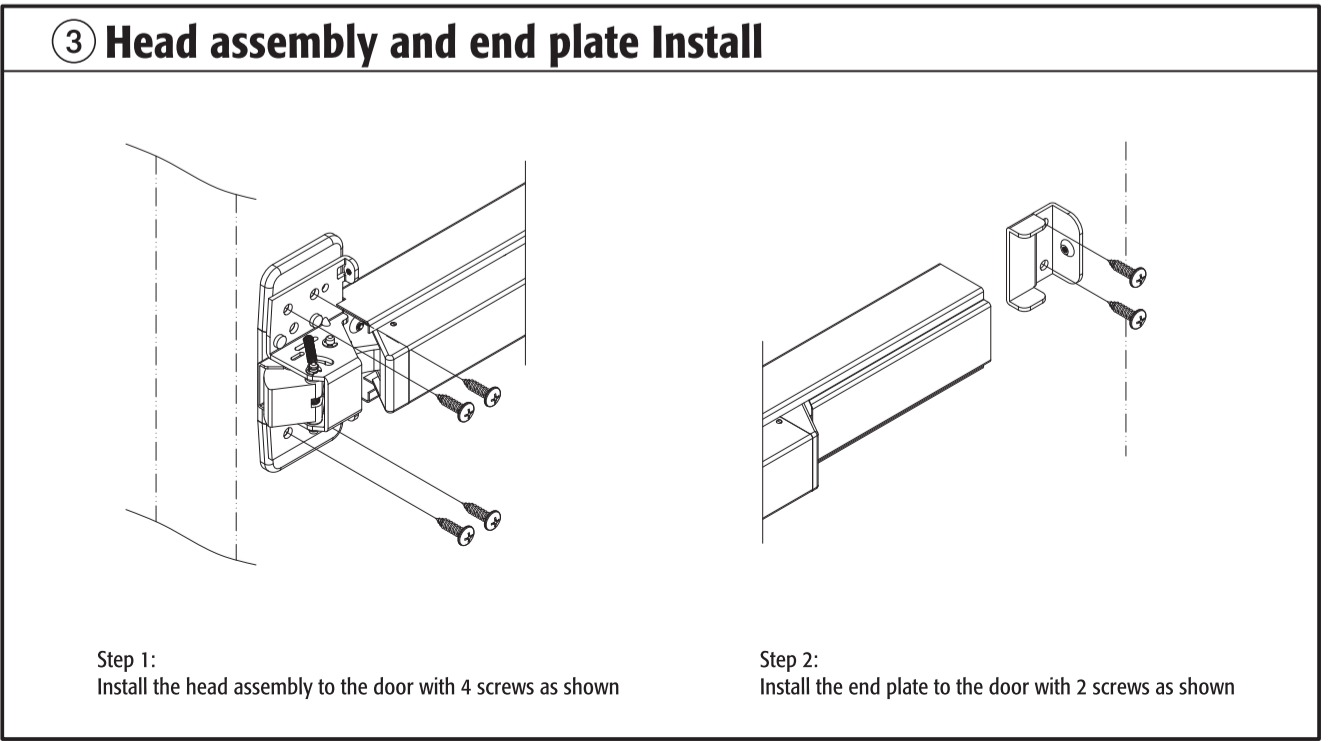
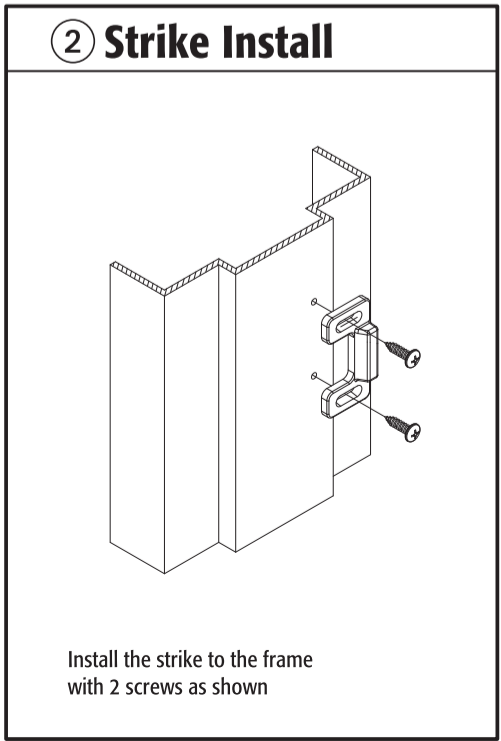
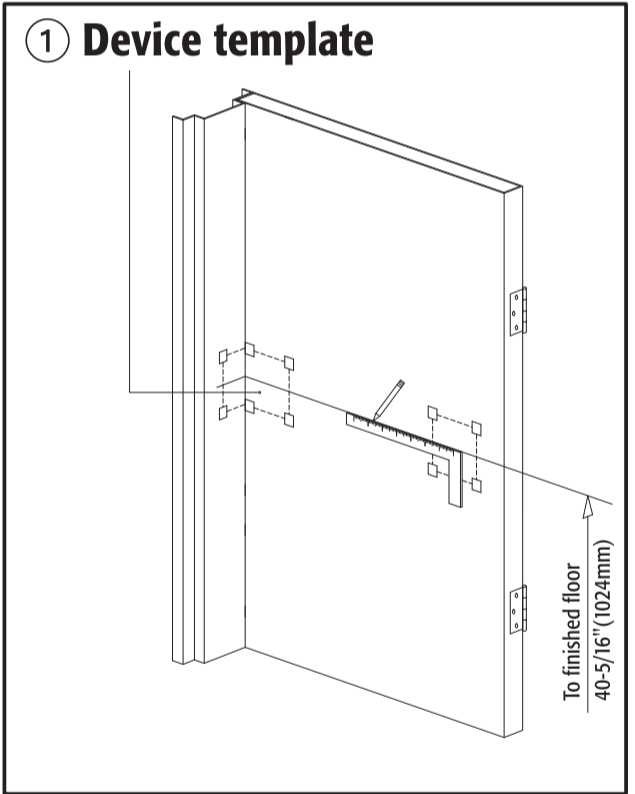
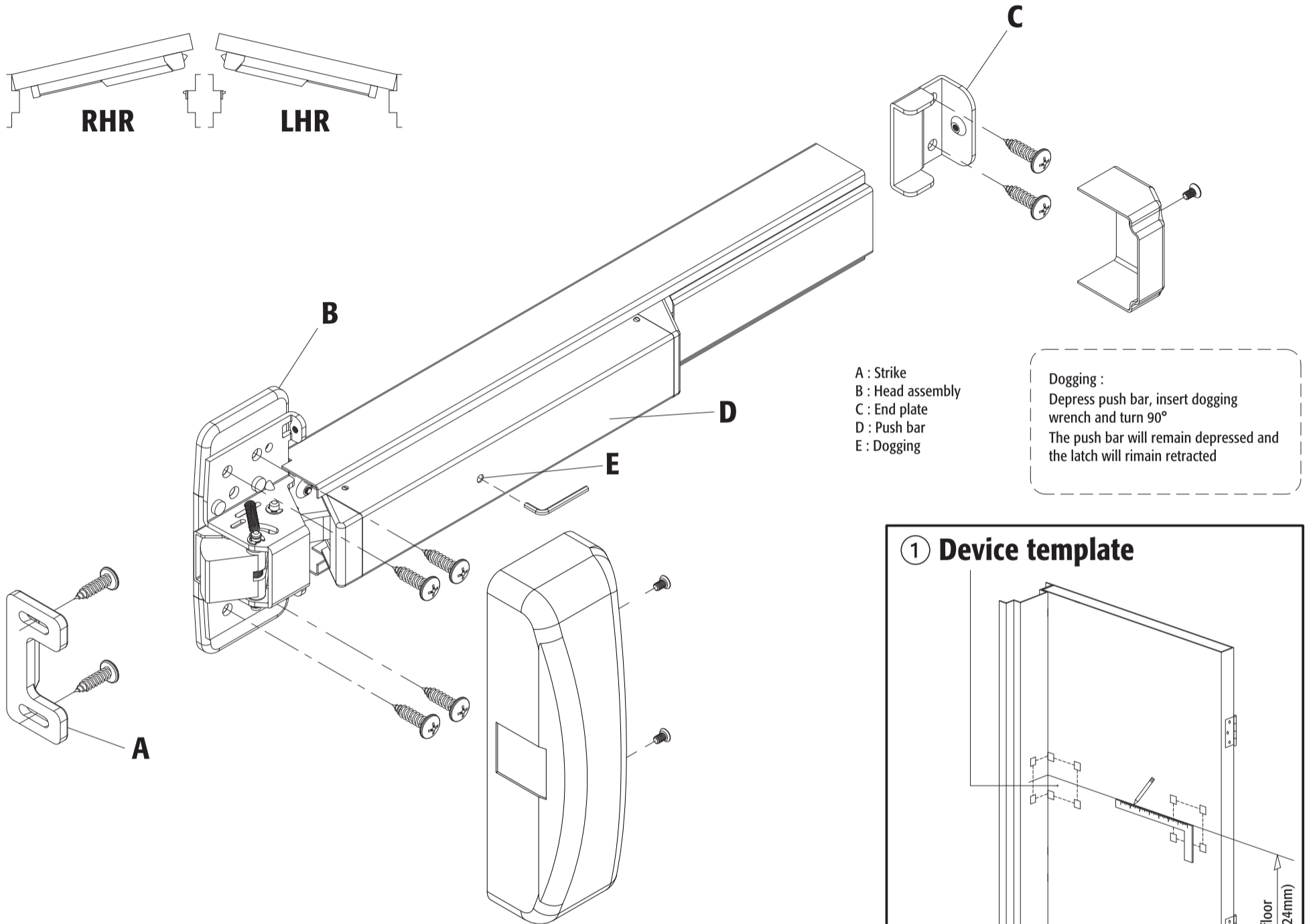


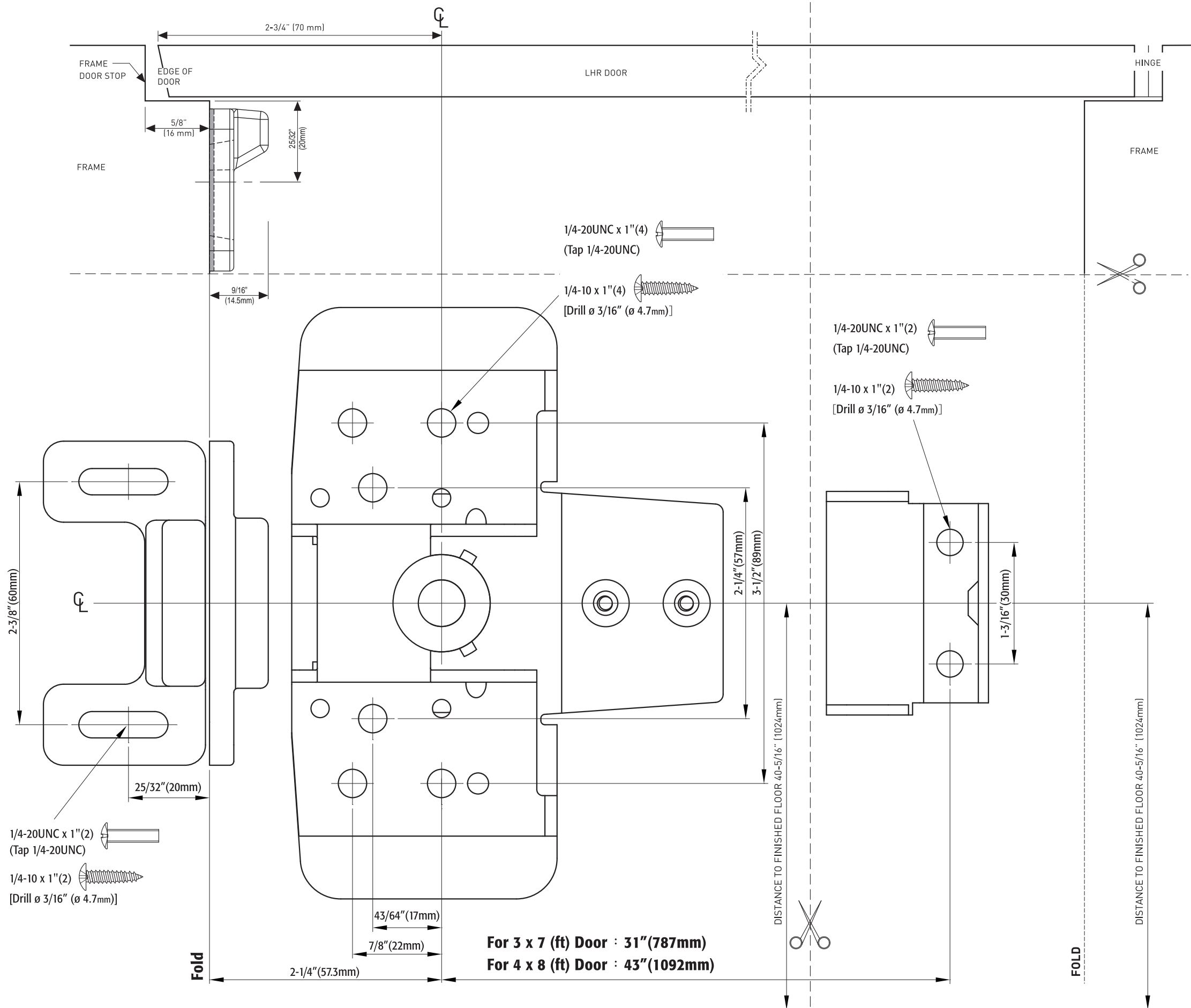
7100R RIM EXIT DEVICE-REVERSIBLE INSTALLATION INSTRUCTIONS

LHR door shown , RHR door opposite

For steel prepared doors , drill / tap and use supplied machine screws.
For thin gauge metal , non-prepared doors and wood doors use wood screws.



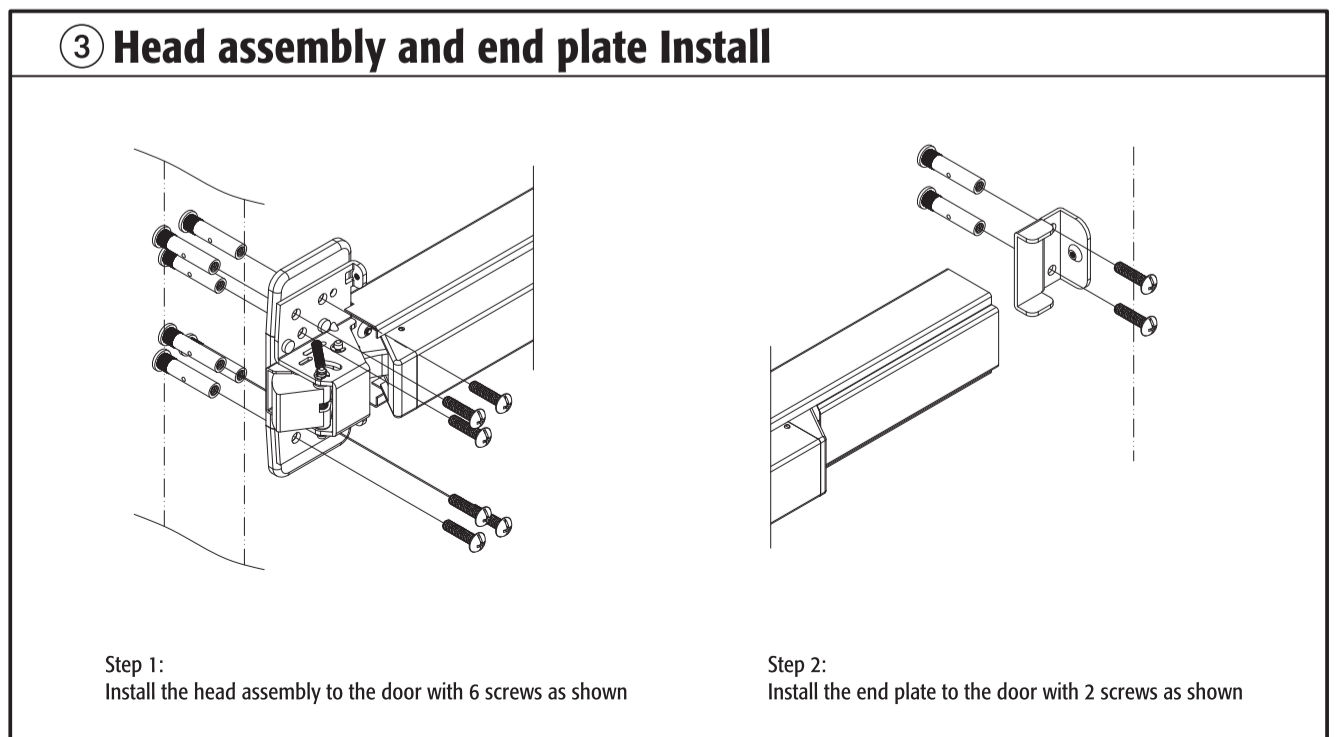
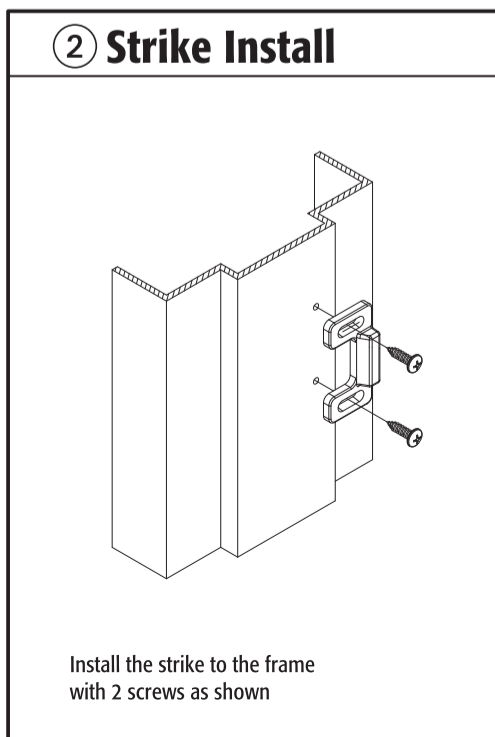
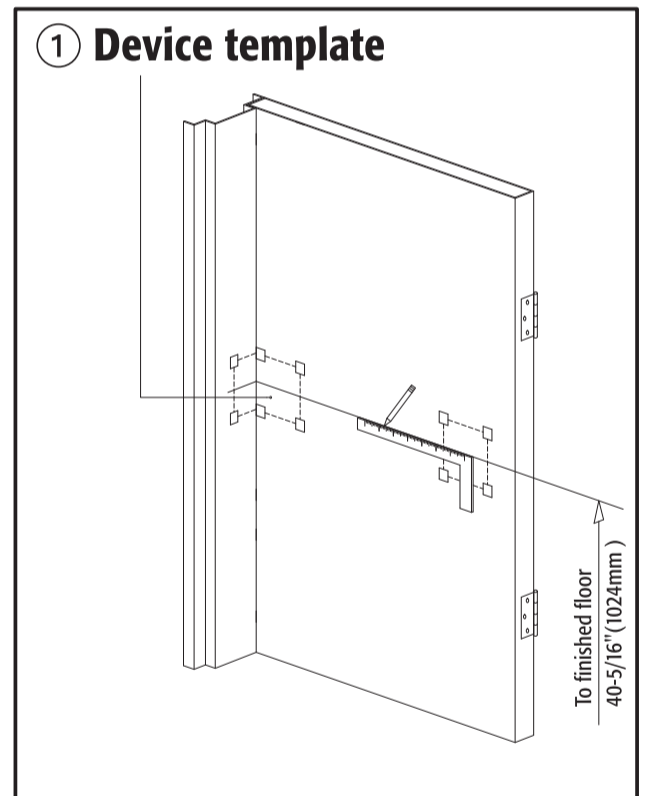
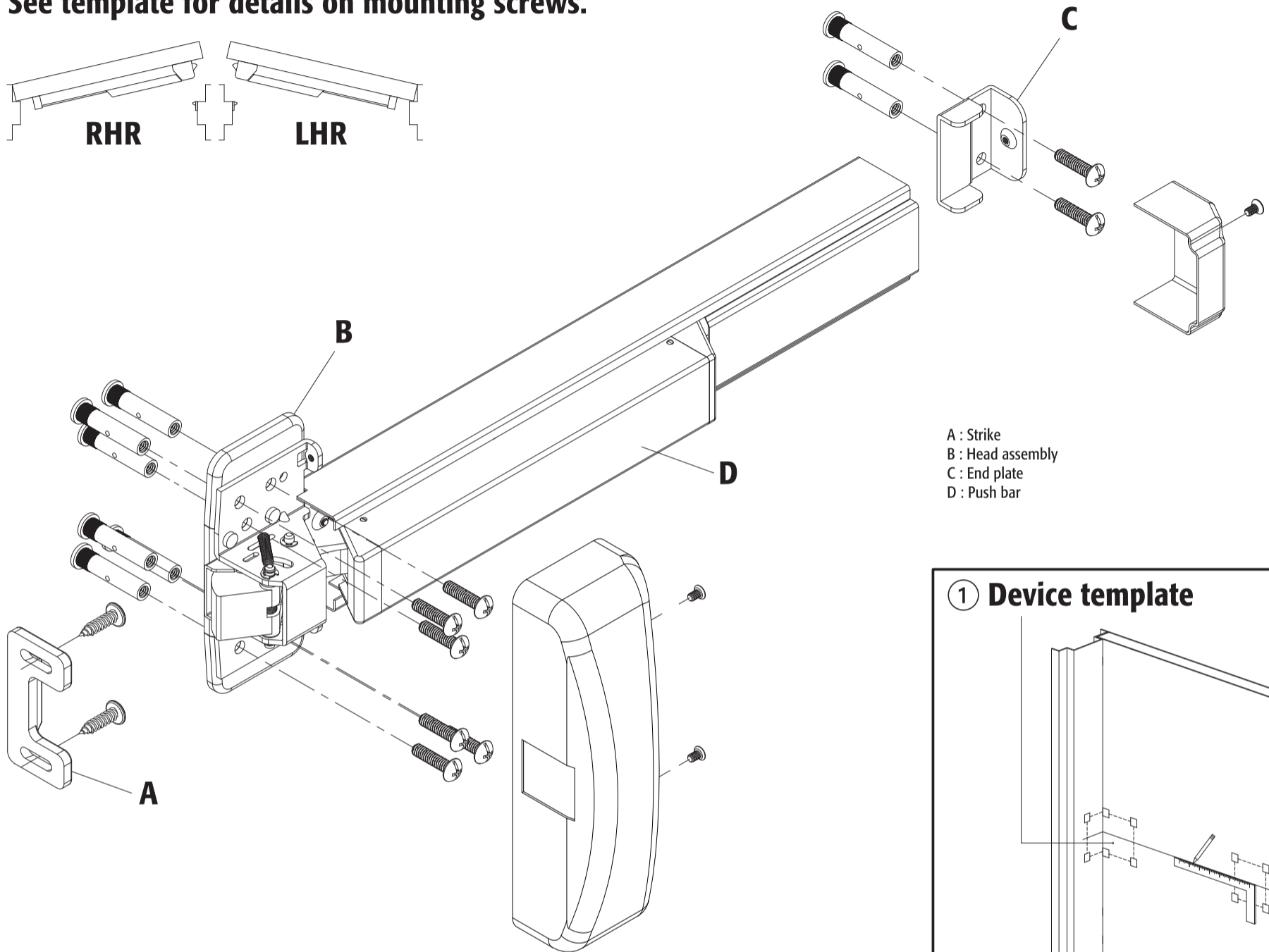
7100R Rim Safety Rated Panic Device Template



F7100R RIM FIRE RATED EXIT DEVICE-RERVERSIBLE INSTALLATION INSTRUCTIONS

LHR door shown , RHR door opposite

For steel prepared doors , drill / tap and use supplied machine screws.
For thin gauge metal , non-prepared doors or for labeled wood doors use thru bolts.
See template for details on mounting screws.



F7100R Rim Fire Rated Panic Device Template

