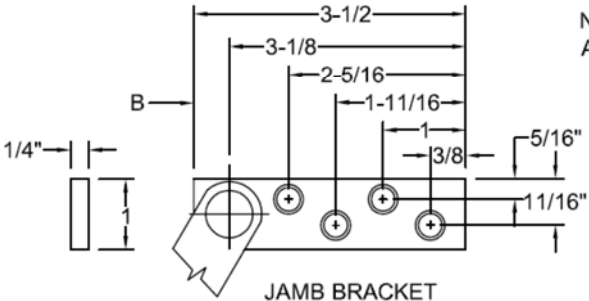
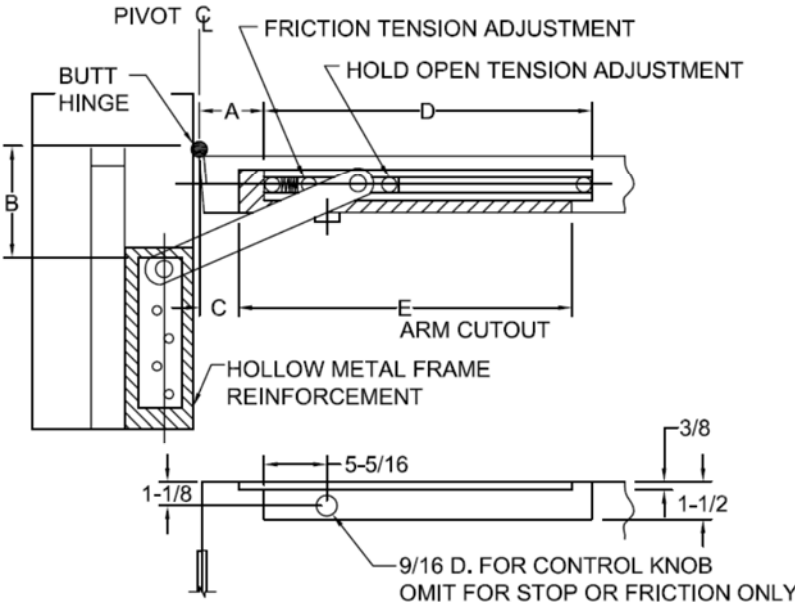


DD08-16 Concealed Overhead Stop - Heavy Duty

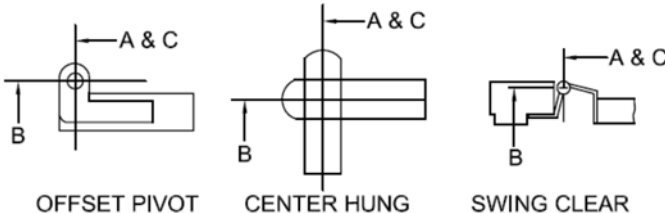
REVERSIBLE

FOR SINGLE OR DOUBLE ACTING DOORS

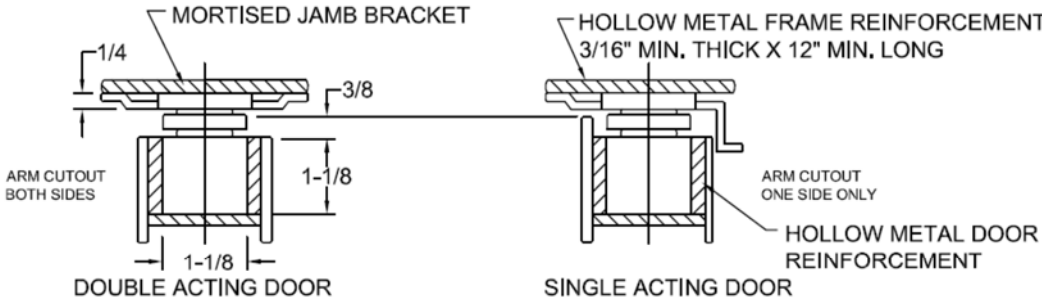
NON - HANDED



NOTE:
ALL A, B & C DIMENSIONS MEASURED FROM CENTER LINE OF PIVOT.



NOTE: A, B, & C DIMENSIONS MEASURED AS SHOWN



SCREW DETAIL			
	QTY	WOOD	METAL
JAMB	4	No. 14 X 1-1/2" F.H.W.S.	1/4" - 20 x 3/4" F.H.M.S.
DOOR	2	No. 18 X 2-1/2" F.H.W.S.	5/16" - 18 x 1-1/2" F.H.M.S.

ALWAYS REQUEST LATEST TEMPLATE DRAWINGS FOR NEW INSTALLATIONS

DO NOT SCALE DRAWINGS ALL DIMENSIONS ARE IN INCHES

DD08-16 Concealed Overhead Stop – Heavy Duty

Installation Dimension Chart

1-3/4" to 2-1/4" Door
Thickness
Butt, Swing Clear Hinge, Offset
Pivot

Degree	85 H.O.				90 H.O.				95 H.O.				100 H.O.				105 H.O.				110 H.O.				
Model #	A	B	C	E	A	B	C	E	A	B	C	E	A	B	C	E	A	B	C	E	A	B	C	E	D
DD08-16x30	7- 3/8	7- 3/8	6- 3/4	18- 5/16	6- 15/16	6- 15/16	6- 1/4	18- 3/8	6- 1/2	6- 1/2	5- 3/4	18- 7/16	6- 3/16	6- 3/16	5- 1/2	18- 3/8	5-7/8	5- 7/8	3- 13/16	19- 3/4	*5- 5/8	*5- 5/8	*1	*22- 5/16	20- 1/8
DD08-16x36	11- 5/8	8- 9/16	6- 3/4	22- 7/8	11- 1/16	8	7- 1/4	22- 7/8	10- 5/8	7- 9/16	6- 3/4	22- 7/8	10- 3/16	7-1/8	6- 1/2	22- 3/4	9- 13/16	6- 3/4	6	22- 3/4	9- 1/2	6- 7/16	5	23- 1/2	21- 3/8

* BUTT HUNG
ONLY

Center Hung

Degree	85 H.O.				90 H.O.				95 H.O.				100 H.O.				105 H.O.				110 H.O.				
Model #	A	B	C	E	A	B	C	E	A	B	C	E	A	B	C	E	A	B	C	E	A	B	C	E	D
DD08-16x30	8	8	7- 1/4	18- 7/16	7-1/2	7-1/2	6- 3/4	18- 7/16	7- 1/8	7- 1/8	6- 1/2	18- 5/16	6- 11/16	6- 11/16	6	18- 3/8	6-3/8	6- 3/8	5-3/4	18- 5/16	6- 1/8	6- 1/8	5- 1/2	18- 5/16	20- 1/8
DD08-16x36	12- 5/16	9- 1/4	8- 1/2	22- 7/8	11- 3/4	8- 11/16	8	22- 3/4	11- 1/4	8- 3/16	7- 1/2	22- 3/4	10- 13/16	7-3/4	7- 1/8	22- 3/4	10- 7/16	7- 3/8	6-3/4	22- 3/4	10- 1/8	7- 1/16	6- 3/8	22- 3/4	21- 3/8

** FOR DEAD STOP ADD 5/8" TO "A" DIMENSION