

# E9020C

## Concealed Vertical Rod



### FEATURES & OPTIONS

#### Door Height

For all doors up to 7'0", 8'0" or 10'0" high

#### Door Width

For all doors up to 36" or 48" wide

#### Stile

5-3/8" minimum for single doors and standard 5/8" stop  
4-7/8" minimum for double doors

#### Material

Cover: Stainless steel, zinc  
Cover Tube: Aluminum  
End Cap: Zinc

#### Dogging

1/4" turn, hex key dogging (non-fire rated only, E9000)

#### Strike (Top & Bottom)

Stainless steel with plated rollers  
Top strike mortised into frame

#### Top Latch

1/2" throw, Pullman type with automatic dead-latching,  
Stainless steel

#### Bottom Latch

1/2" throw, Pullman type, held retracted during door swing,  
Stainless steel

#### Mounting

Furnished standard with wood, machine screws and thru-bolts

#### Backset

2-3/4" standard

#### Handing

Non-handed

#### Projection

3" maximum projection, 2-5/8" when depressed

#### Operation

Exit by slight pressure on any point on the push bar at all time

#### Electric Latch Retraction

Available with Electric Latch Retraction (ELR)

### SPECIFICATIONS

**Exit Device:** Exit device shall be by Pamex model # **E9000C** for standard exit opening. All exit devices shall be modern push pad type with vertical latching, non-handed. Hex-key dogging shall be provided only on non-fire rated exit device. Exit device shall be narrow profile; projecting only 3" from the surface of the door.

### WARRANTY

- Life-Time mechanical warranty
- Five years finish warranty



### CODE COMPLIANCE

- ANSI A156.3, Grade 1
- UL listed for Panic and UL10C, UBC 7-2-1997 codes

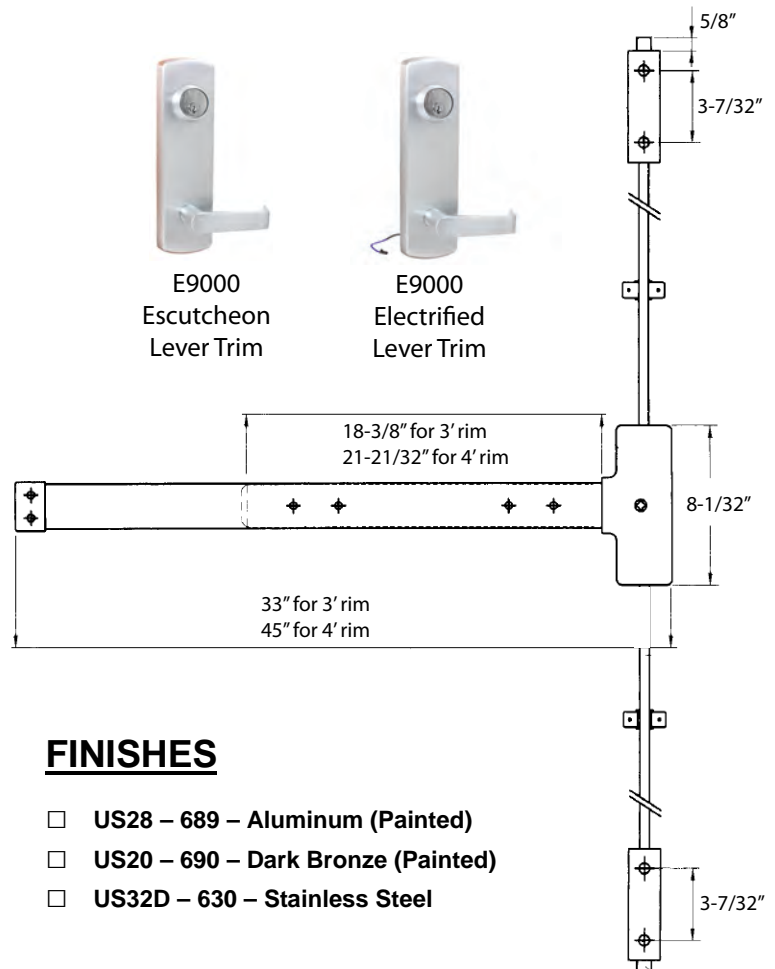
### AVAILABLE TRIMS



E9000  
Escutcheon  
Lever Trim



E9000  
Electrified  
Lever Trim



### FINISHES

- US28 – 689 – Aluminum (Painted)
- US20 – 690 – Dark Bronze (Painted)
- US32D – 630 – Stainless Steel

# EF9020C

## Concealed Vertical Rod



### FEATURES & OPTIONS

#### Door Height

For all doors up to 7'0", 8'0" or 10'0" high

#### Door Width

For all doors up to 36" or 48" wide

#### Stile

5-3/8" minimum for single doors and standard 5/8" stop  
4-7/8" minimum for double doors

#### Material

Cover: Stainless steel, zinc  
Cover Tube: Aluminum  
End Cap: Zinc

#### Dogging

No dogging on fire rated devices

#### Strike (Top & Bottom)

Stainless steel with plated rollers  
Top strike mortised into frame

#### Top Latch

1/2" throw, Pullman type with automatic dead-  
Stainless steel

#### Bottom Latch

1/2" throw, Pullman type, held retracted during door swing,  
Stainless steel

#### Mounting

Furnished standard with wood, machine screws and thru-bolts

#### Backset

2-3/4" standard

#### Handing

Non-handed

#### Projection

3" maximum projection, 2-5/8" when depressed

#### Operation

Exit by slight pressure on any point on the push bar at all time

#### Electric Latch Retraction

Available with Electric Latch Retraction (ELR)

### SPECIFICATIONS

**Exit Device:** Exit device shall be by Pamex model # EF9000C for standard exit opening. All exit devices shall be modern push pad type with vertical latching, non-handed and provided with thru bolts for proper installation. EF9000C is UL listed for 3 hour fire and egress. Exit device shall be narrow profile; projecting only 3" from the surface of the door.

### WARRANTY

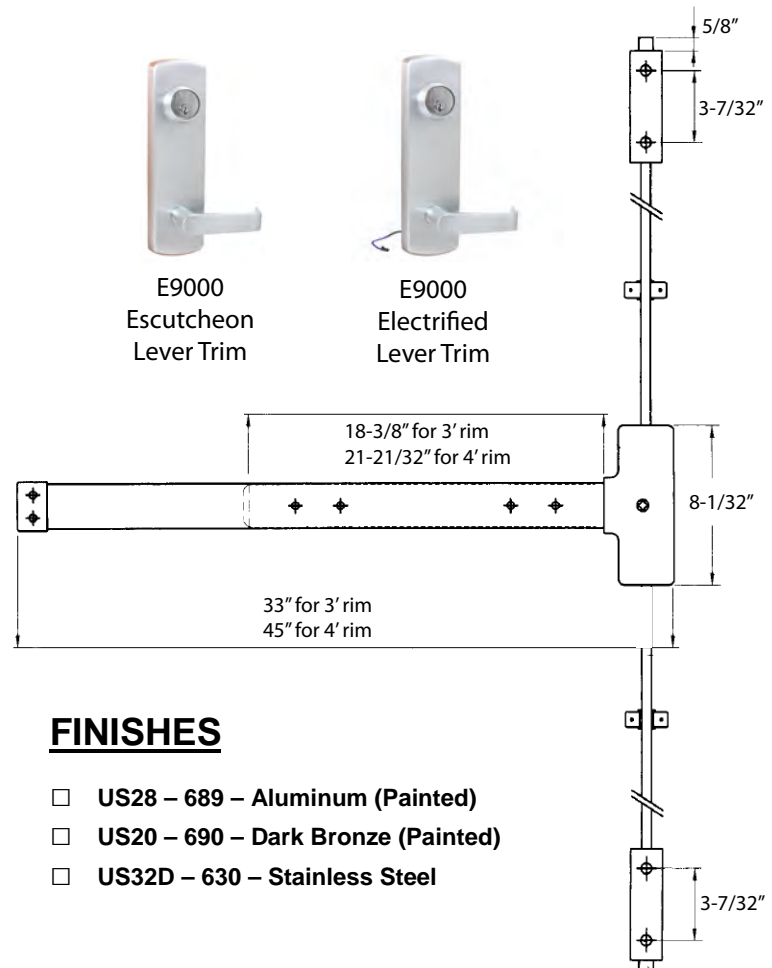
- Life-Time mechanical warranty
- Five years finish warranty



### CODE COMPLIANCE

- ANSI A156.3, Grade 1
- UL listed for Panic and UL10C, UBC 7-2-1997 codes
- UL 3 Hours Fire Rated

### AVAILABLE TRIMS



### FINISHES

- US28 – 689 – Aluminum (Painted)
- US20 – 690 – Dark Bronze (Painted)
- US32D – 630 – Stainless Steel