

E5000

Rim Type



FEATURES & OPTIONS

Door Width

For all doors up to 36" or 48" wide

Stile

4-1/4" minimum

Material

Push bar is made of extruded anodize aluminum and spring is made of stainless steel

Dogging

1/4" turn, hex key dogging (non-fire rated only, E5000)

Strike

For 5/8" stop, plus shim for 1/2" stop

Latch Bolts

3/4" throw, stainless steel

Dead Latch Bolts

5/8" stainless steel

Mounting

Furnished standard with sheet metal & machine screws

Backset

2-3/4" standard

Handing

Non-handed

Projection

2-1/2" maximum projection, 1-7/8" when depressed

Operation

Exit by slight pressure on any point on the push bar at all time

SPECIFICATIONS

Exit Device: Exit device shall be by **Pamex** model # **E5000** for standard exit opening. All exit devices shall be modern push pad type, non-handed. Hex-key dogging shall be provided only on non-fire rated exit device. Exit device shall be narrow profile; projecting only 2-1/4" from the surface of the door.

FINISHES

- Aluminum (Painted)
- Dark Bronze (Painted)
- Stainless Steel

WARRANTY

- Ten years mechanical warranty
- Five years finish warranty



CODE COMPLIANCE

- ANSI A156.3, Grade 1
- UL listed for Panic and UL10C, UBC 7-2-1997 codes



Available Trims



Heavy Duty
Lever Trim
(Handed)



Lever Trim



Knob Trim



Rim Cylinder
Single Pull



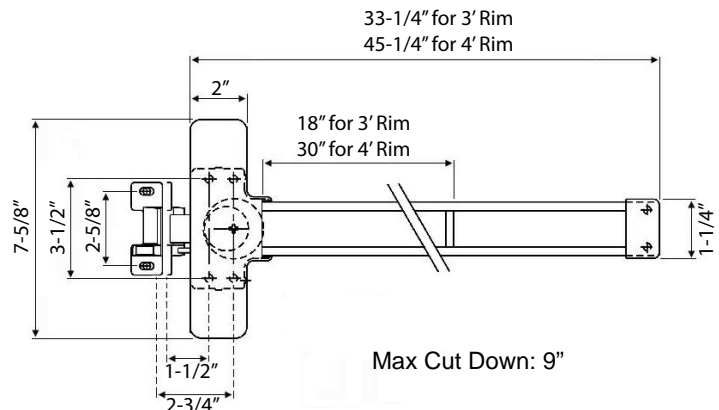
Rim Cylinder
Double Pull



Cover Plate



Pull Plate



EF5000

Rim Type



FEATURES & OPTIONS

Fire Rated Rim Type Exit Device

Door Width

For all doors up to 36" or 48" wide

Stile

4-1/4" minimum

Material

Push bar is made of extruded anodize aluminum and spring is made of stainless steel

Strike

For 5/8" stop, plus shim for 1/2" stop

Latch Bolts

3/4" throw, stainless steel

Dead Latch Bolts

5/8" stainless steel

Mounting

Furnished standard with sheet metal & machine screws and SNB

Backset

2-3/4" standard

Handing

Non-handed

Projection

2-1/2" maximum projection, 1-7/8" when depressed

Operation

Exit by slight pressure on any point on the push bar at all time

SPECIFICATIONS

Exit Device: Exit device shall be by **Pamex** model # **EF5000** for UL fire barrier doors. All exit devices shall be modern push pad type, non-handed and provided with thru bolts for proper installation. EF5000 is UL listed for 1-1/2 hour fire and egress. Exit device shall be narrow profile; projecting only 2-1/4" from the surface of the door

FINISHES

- Aluminum (Painted)
- Dark Bronze (Painted)
- Stainless Steel

WARRANTY

- Ten years mechanical warranty
- Five years finish warranty



CODE COMPLIANCE



- ANSI A156.3, Grade 1
- UL listed for Panic and UL10C, UBC 7-2-1997 codes
- UL 1-1/2 Hour Fire Rated

Available Trims



Heavy Duty
Lever Trim
(Handed)



Lever Trim



Knob Trim



Rim Cylinder
Single Pull



Rim Cylinder
Double Pull



Cover Plate



Pull Plate

