

### Electrified Storeroom

# Alameda FYH Series



## FEATURES & OPTIONS

### Electrical Specification

Voltage: Dual 12/24VDC Input  
Current: 600/300mA @ 12/24VDC  
REX Output: SPDT 3 Amps @ 30VDC

### Function

- Fail Safe
- Fail Secure

### Latch Backset

Exterior: 2-3/4" UL deadlatch standard  
(other options available)

### Faceplate

1-1/8" x 2-1/4" square corner standard  
(other options available)

### Bolt

1/2" throw

### Door Thickness

Fit 1-3/8" to 2-1/4"

### Cylinder

6-pin SC "C" keyway solid brass cylinder standard

Also available in:  
5-pin KW keyway

6 & 7-pin small format I/C core, Best A2 keyway

### Strike Plate

4-7/8" x 1-1/4" ASA strike standard  
(other options available)

### Handing

Reversible for left or right hand doors

## SPECIFICATIONS

**Lockset:** Lock or latchset shall be by **PAMEX** model # **FY Series**. All locks shall be non-handed and provide with 3 hour rated solid brass plain or deadlatch. Lock chassis shall have heavy duty lever spring return rose assembly with clutch mechanism and thru bolts for proper installation.

## CODE COMPLIANCE

- Meets ANSI/BHMA A156.2, Series 4000, Grade 1
- Meets ADA Requirements
- UL 3-Hour Fire Rated



ADA



## WARRANTY

- Lifetime mechanical warranty
- Five years finish warranty

## FINISHES

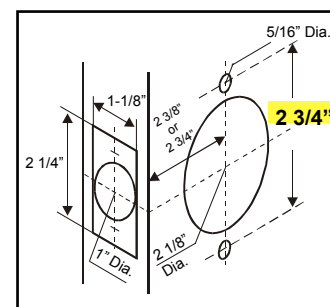
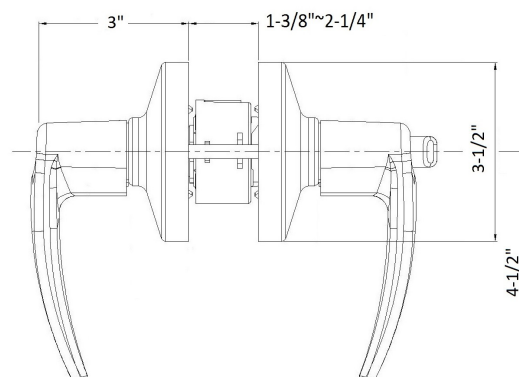
(other finishes available upon request with lead-time)

- US10B – 613 – Oil Rubbed Bronze
- US15 – 619 – Satin Nickel
- US26D – 626 – Satin Chrome

## FUNCTIONS

### Electrified Storeroom

Outside lever always locked but free turning and unlocked electronically or manually by key.  
Inside lever always free.



Door preparation