

Sierra FT3B Series



FEATURES & OPTIONS

Latch Backset

Exterior: Adjustable UL deadlatch standard
Interior: Adjustable UL plainlatch standard
(other options available)

Faceplate

1" x 2-1/4" square corner standard
(other options available)

Bolt

1/2" throw

Door Thickness

Fit 1-3/8" to 1-3/4" standard

Cylinder

6-pin SC "C" keyway solid brass cylinder standard

Also available in:

5-pin KW keyway

6-pin small format interchangeable core

Strike Plate

2-1/4" x 1-3/4" full lip round corner standard
(other options available)

Handing

Non Handed

SPECIFICATIONS

Lockset: Lock or latchset shall be by **PAMEX** model # **FT3B Series**. All locks shall provide with 3 hour rated solid brass plain or deadlatch. Lock chassis shall have individual springs for knob return.

FINISHES

(other finishes available upon request with lead-time)

- US32D – 625 – Satin Stainless Steel
- US3 – 605 – Polished Brass
- US5 – 609 – Antique Brass

CODE COMPLIANCE

- Meets ANSI/BHMA A156.2,
Series 4000, Grade 2
- **UL 3-Hour Fire Rated**



WARRANTY

- **Lifetime mechanical warranty**
- **Five years finish warranty**

FUNCTIONS

Entry – FT30B/FT30C (F190)

Outside knob locked or unlocked by key outside or **turn-piece (FT30B) / push-button (FT30C)** inside. Inside always free.

Privacy – FT31B/FT31C (F76)

Outside knob locked or unlocked by **turn-piece (FT31B) / push-button (FT31C)** inside or by a coin or screwdriver outside. Inside always free.

Passage – FT33B (F75)

Both knobs always free.

Communicating – FT33BH

Blank plate outside. Inside knob always unlocked.

Half Dummy - FT34B

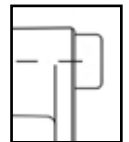
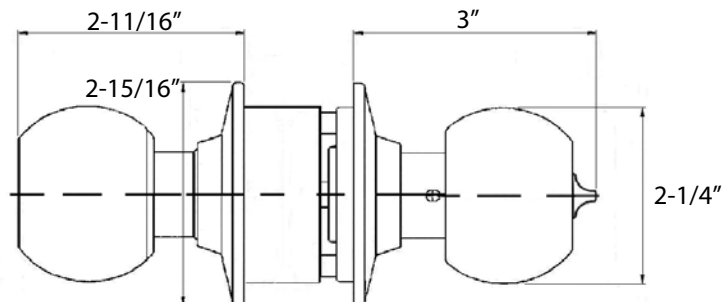
Single dummy trim for pull only.

Storeroom – FT35B (F86)

Outside knob always fixed and unlocked by key only. Inside knob always free.

Classroom – FT38B (F84)

Outside lever locked or unlocked by key. Inside lever always free.



Push Button

** Entry Function Knobset **