

Single Cylinder Deadbolt *FD7 Series*



FEATURES & OPTIONS

Door Preparation

Cross Bore: 2-1/8", Edge: 1"

Latch Backset

Adjustable UL deadbolt standard (other options available)

Faceplate

1" x 2-1/4" square corner standard (other options available)

Bolt

1" throw

Door Thickness

Fit 1-3/8" to 1-3/4" standard (extension kit available for 1-3/4" to 2-1/4" door)

Cylinder

6-pin SC "C" keyway solid brass cylinder standard

Also available in:
5-pin KW keyway

6-pin small format interchangeable core

Strike Plate

2-3/4" x 1-1/8" square corner strike standard with reinforced plate and 3" wooden screws (other options available)

Handing

Non-Handed

FINISHES

(other finishes available upon request with lead-time)

- US3 – 605 – Polished Brass
- US5 – 609 – Antique Brass
- US10B – 613 – Oil Rubbed Bronze
- US15 – 619 – Satin Nickel
- US26D – 626 – Satin Chrome
- US32D – 630 – Satin Stainless Steel
- US19 – 622 – Matte Black

WARRANTY

- Lifetime mechanical warranty
- Five years finish warranty



CODE COMPLIANCE

- Meets ANSI/BHMA A156.36, Series 4000, Grade 2
- Meets ADA Requirements
- UL 3-Hour Fire Rated

SPECIFICATIONS

Lockset: Grade 2 tubular deadbolt lock shall be by PAMEX model # **FD7 Series**. Deadbolt shall be non-handed, reversible and made from solid brass. The bolt shall be made with hardened steel insert for saw resistant and have 1" projection.

FUNCTIONS

Single Cylinder – E0152 (FD71)

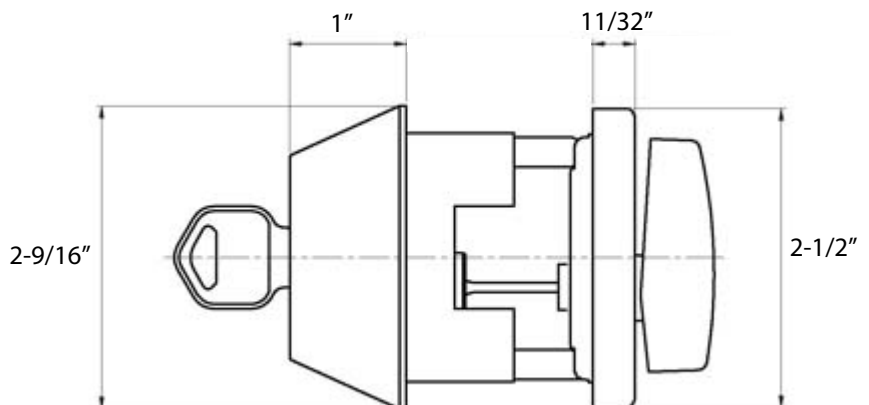
Bolt is operated by key from outside and Turn-piece inside.

Double Cylinder – E0142 (FD72)

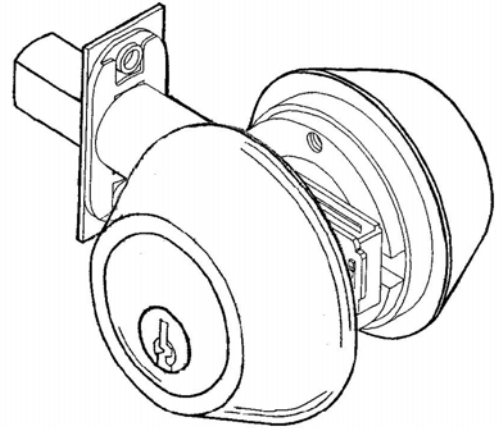
Bolt is operated by key on both sides.

Classroom – E0172 (FD78)

Bolt is operated by key from outside. Inside turn piece will retract bolt only



Double Cylinder Deadbolt *FD7 Series*



FEATURES & OPTIONS

Door Preparation

Cross Bore: 2-1/8", Edge: 1"

Latch Backset

Adjustable UL deadbolt standard
(other options available)

Faceplate

1" x 2-1/4" square corner standard
(other options available)

Bolt

1" throw

Door Thickness

Fit 1-3/8" to 1-3/4" standard
(extension kit available for 1-3/4" to 2-1/4" door)

Cylinder

6-pin SC "C" keyway solid brass cylinder
standard

Also available in:

5-pin KW keyway

6-pin small format interchangeable core

Strike Plate

2-3/4" x 1-1/8" square corner strike standard with
reinforced plate and 3" wooden screws
(other options available)

Handing

Non-Handed

FINISHES

(other finishes available upon request with lead-time)

- US3 – 605 – Polished Brass
- US5 – 609 – Antique Brass
- US10B – 613 – Oil Rubbed Bronze
- US15 – 619 – Satin Nickel
- US26D – 626 – Satin Chrome
- US32D – 630 – Satin Stainless Steel
- US19 – 622 – Matte Black

WARRANTY

- Lifetime mechanical warranty
- Five years finish warranty



CODE COMPLIANCE

- Meets ANSI/BHMA A156.36,
Series 4000, Grade 2
- Meets ADA Requirements
- UL 3-Hour Fire Rated

SPECIFICATIONS

Lockset: Grade 2 tubular deadbolt lock shall be by PAMEX model # **FD7 Series**. Deadbolt shall be non-handed, reversible and made from solid brass. The bolt shall be made with hardened steel insert for saw resistant and have 1" projection.

FUNCTIONS

Single Cylinder – E0152 (FD71)

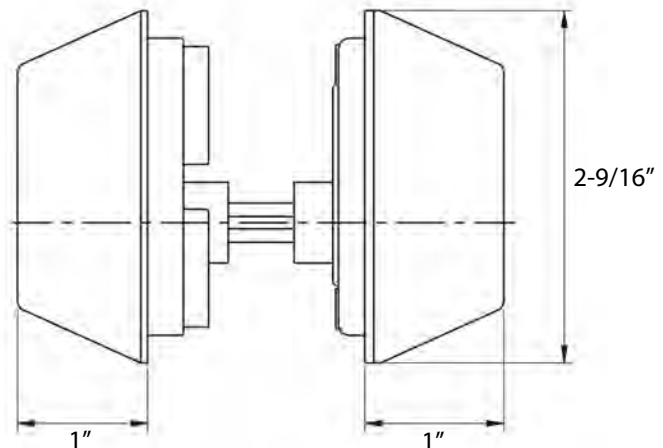
Bolt is operated by key from outside and inside.

Double Cylinder – E0142 (FD72)

Bolt is operated by key on both sides.

Classroom – E0172 (FD78)

Bolt is operated by key from outside. Inside turn piece will retract bolt only



Classroom Deadbolt *FD7 Series*



FEATURES & OPTIONS

Door Preparation

Cross Bore: 2-1/8", Edge: 1"

Latch Backset

Adjustable UL deadbolt standard (other options available)

Faceplate

1" x 2-1/4" square corner standard (other options available)

Bolt

1" throw

Door Thickness

Fit 1-3/8" to 1-3/4" standard (extension kit available for 1-3/4" to 2-1/4" door)

Cylinder

6-pin SC "C" keyway solid brass cylinder standard

Also available in:

5-pin KW keyway

6-pin small format interchangeable core

Strike Plate

2-3/4" x 1-1/8" square corner strike standard with reinforced plate and 3" wooden screws (other options available)

Handing

Non-Handed

FINISHES

(other finishes available upon request with lead-time)

- US3 – 605 – Polished Brass
- US5 – 609 – Antique Brass
- US10B – 613 – Oil Rubbed Bronze
- US15 – 619 – Satin Nickel
- US26D – 626 – Satin Chrome
- US32D – 630 – Satin Stainless Steel
- US19 – 622 – Matte Black

WARRANTY

- Lifetime mechanical warranty
- Five years finish warranty



CODE COMPLIANCE

- Meets ANSI/BHMA A156.36, Series 4000, Grade 2
- Meets ADA Requirements
- UL 3-Hour Fire Rated

SPECIFICATIONS

Lockset: Grade 2 tubular deadbolt lock shall be by PAMEX model # **FD7 Series**. Deadbolt shall be non-handed, reversible and made from solid brass. The bolt shall be made with hardened steel insert for saw resistant and have 1" projection.

FUNCTIONS

Single Cylinder – E0152 (FD71)

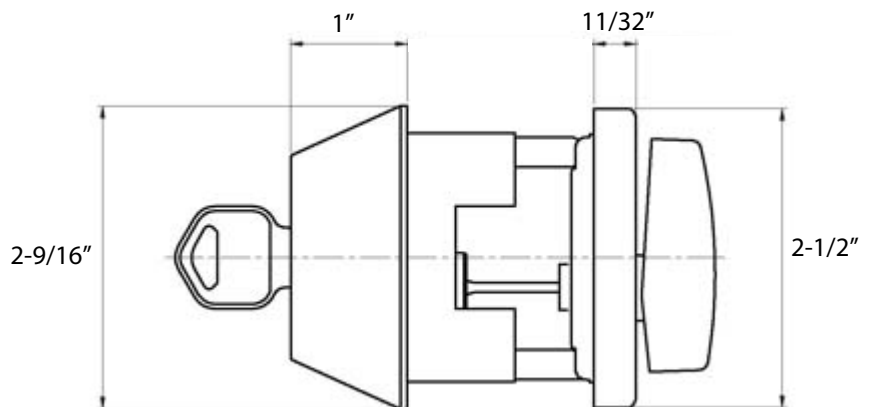
Bolt is operated by key from outside and Turn-piece inside.

Classroom – E0172 (FD78)

Bolt is operated by key from outside. Inside turn piece will retract bolt only

Double Cylinder – E0142 (FD72)

Bolt is operated by key on both sides.



Indicator Deadbolt *FD7 Series*



FEATURES & OPTIONS

Door Preparation

Cross Bore: 2-1/8", Edge: 1"

Latch Backset

Adjustable deadbolt standard
(other options available)

Faceplate

1-1/8" x 2-1/4" square corner standard
(other options available)

Bolt

1" throw

Door Thickness

Fit 1-3/8" to 1-3/4" standard

Strike Plate

2-3/4" x 1-1/8" square corner strike standard with reinforced plate and 3" wooden screws
(other options available)

Handing

Non-Handed

WARRANTY

- Lifetime mechanical warranty
- Five years finish warranty



CODE COMPLIANCE

- Meets ANSI/BHMA A156.5,
Series 4000, Grade 2
- Meets ADA Requirements

SPECIFICATIONS

Lockset: Grade 2 tubular deadbolt lock shall be by PAMEX model # **FD7 Series**. Deadbolt shall be non-handed, reversible and made from solid brass. The bolt shall be made with hardened steel insert for saw resistant and have 1" projection.

FUNCTIONS

Indicator

Bolt is indicated lock or unlock from outside. Bolt can be locked or unlocked by coin or screwdriver outside and by turn-piece inside.

FINISHES

(other finishes available upon request with lead-time)

- US10B – 613 – Oil Rubbed Bronze
- US15 – 619 – Satin Nickel
- US26D – 626 – Satin Chrome
- US32D – 630 – Satin Stainless Steel

