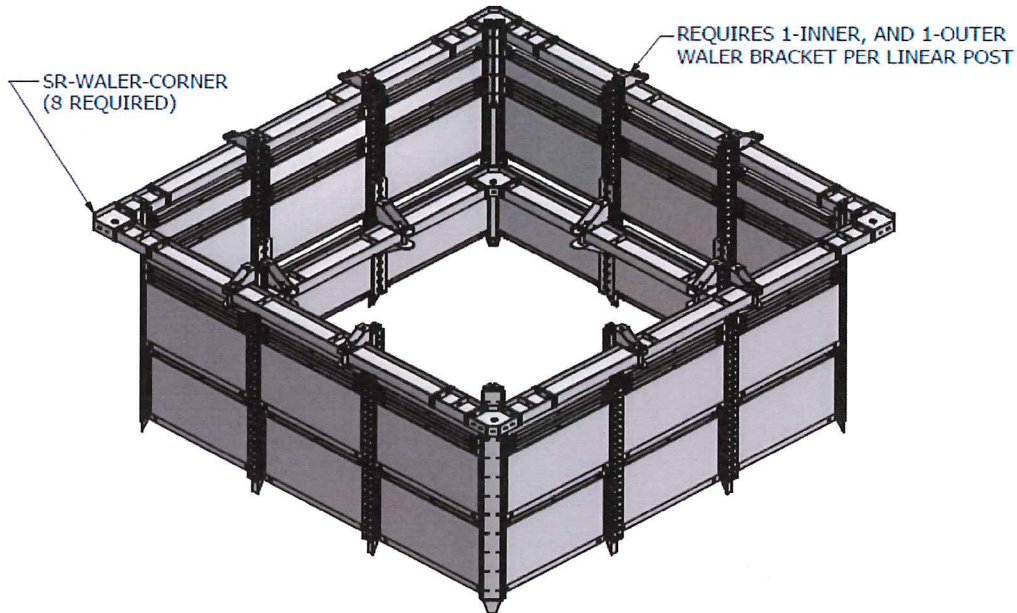
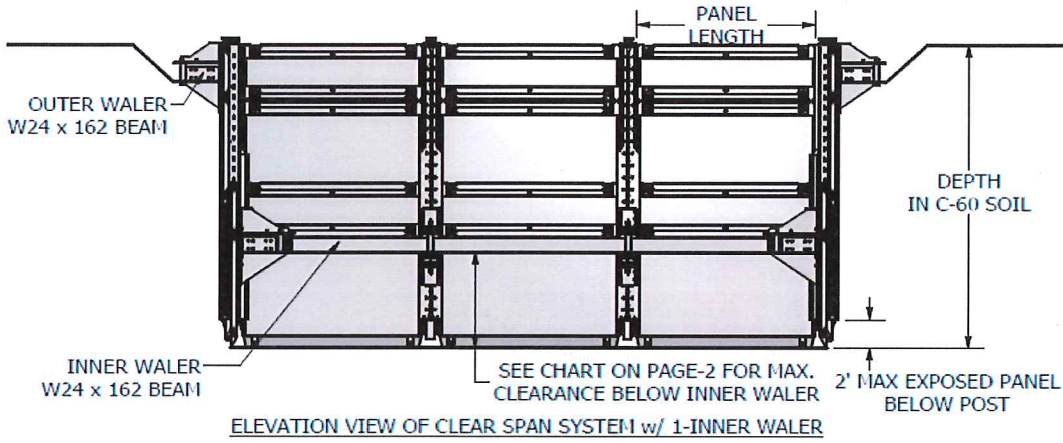


TABULATED DATA FOR CLEAR SPAN SLIDE RAIL SYSTEMS WITH 1 INTERIOR WALER

REFERENCE TO OCCUPATIONAL SAFETY AND HEALTH ADMINISTRATION RULES AND REGULATIONS, 29 CFR, NO 209, PART 1926, SUBPART P

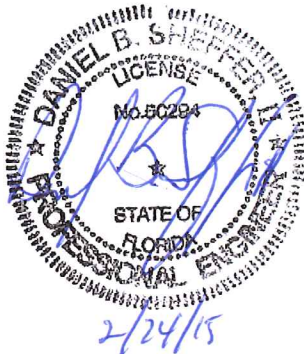
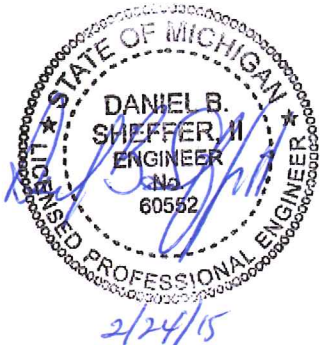


NOTE: SEE CHART ON PAGE 2 FOR DEPTH AND WALER LENGTH INFORMATION

MANUFACTURED UNDER ONE OR MORE OF THE FOLLOWING U.S. PATENT NUMBERS: 4,090,365-4,114,383-4,259,028 ONE OR MORE OF THE FOLLOWING CANADIAN PATENT NUMBERS: 1,062,683-1,062,684

CERTIFIED BY:
EFFICIENCY PRODUCTION INC.

COPYRIGHT:
EFFICIENCY PRODUCTION INC.
ALL RIGHTS RESERVED



⚠ WARNING: Any use of this product not specifically described on this certificate could cause cave-in, collapse, or structural failure, and may result in injury, or death

**TABULATED DATA FOR
CLEAR SPAN SLIDE RAIL SYSTEMS
WITH 1 INTERIOR WALER**

USE CHART BELOW TO DETERMINE SYSTEM LIMITATIONS ACCORDING TO DIAGRAM ON PAGE-1

PANEL LENGTH	NUMBER OF BAYS (PER SIDE)	INNER WALER LENGTH (PER SIDE)	OUTER WALER LENGTH (PER SIDE)	MAXIMUM INTERIOR WALER CLEARANCE	MAXIMUM DEPTH OF SYSTEM IN C-60 SOILS
8'	2	10'-8" (128")	18'-4" (220")	7'	28'
8'	3	19'-7" (235")	27'-3" (327")	7'	28'
8'	4	28'-5" (341")	36'-1" (433")	7'	23'
8'	5	37'-3" (447")	44'-11" (539")	7'	17'
8'	6	46'-2" (554")	53'-10" (646")	7'	13'
10'	2	14'-8" (176")	22'-4" (268")	7'	26'
10'	3	25'-7" (307")	33'-3" (399")	7'	26'
10'	4	36'-5" (437")	44'-1" (529")	7'	17'
10'	5	47'-3" (567")	54'-11" (659")	7'	13'
12'	2	18'-8" (224")	26'-4" (316")	7'	26'
12'	3	31'-7" (379")	39'-3" (471")	7'	20'
12'	4	44'-5" (533")	52'-1" (625")	7'	14'
12'	5	57'-3" (687")	64'-11" (779")	7'	10'
14'	2	22'-8" (272")	30'-4" (364")	7'	20'
14'	3	37'-7" (451")	45'-3" (543")	7'	16'
14'	4	52'-5" (629")	60'-1" (721")	7'	11'
16'	2	26'-8" (230")	34'-4" (412")	7'	15'
16'	3	43'-7" (523")	51'-3" (615")	7'	14'
16'	4	60'-5" (725")	68'-1" (817")	5'	9'
18'	2	30'-8" (368")	38'-4" (460")	7'	12'
18'	3	49'-7" (595")	57'-3" (687")	7'	12'
20'	2	34'-8" (416")	42'-4" (508")	6'	12'
20'	3	55'-7" (667")	63'-3" (759")	6'	10'
22'	2	38'-8" (464")	46'-4" (556")	6'	12'
24'	2	42'-8" (512")	50'-4" (604")	6'	12'
26'	2	46'-8" (560")	54'-4" (652")	6'	11'

NOTE: FOR GENERAL REFERENCE ONLY. SITE SPECIFIC ENGINEERING WILL BE REQUIRED FOR ALL OTHER SOIL CONDITIONS AND SITE LOADS.

LIMITATIONS IN USE OF TABLE

- SLIDE RAIL SYSTEM TO BE ASSEMBLED AND INSTALLED IN ACCORDANCE WITH MANUFACTURER'S INSTRUCTIONS.
- EXCAVATION 2 FEET BELOW BOTTOM OF PANEL IS PERMITTED WHEN NO LOSS OF SOIL FROM BEHIND OR BELOW THE BOTTOM OF SYSTEM IS ENCOUNTERED. SEE PARAGRAPH 1926.652 (e)(2)(i). THE COMPETENT PERSON SHALL MAKE THE DETERMINATION FOR COMPLIANCE. SUDDEN SHIFTING OF THE PANELS VERTICALLY SHALL BE AVOIDED.
- SEE INDIVIDUAL SERIALIZED TABULATED DATA FOR DEPTH RATINGS OF INDIVIDUAL PANELS, AND OTHER LIMITATIONS OF USE.
- WHEN 2 SIDES OF A CLEAR SPAN ARE DIFFERENT LENGTHS THE SIDE WITH THE LOWEST DEPTH RATING SHALL CONTROL THE ENTIRE SYSTEM.
- DEPTH AND PSF RATINGS ARE FOR LATERAL EARTH PRESSURES ONLY, AND DO NOT TAKE ANY SURCHARGES INTO ACCOUNT. AN ADDITIONAL LATERAL SURCHARGE LOAD OF UP TO 72 PSF CAN BE APPLIED.
- CONTRACTOR'S COMPETENT/QUALIFIED PERSON SHALL BE RESPONSIBLE FOR MONITORING SOIL CONDITIONS AND SHALL BE RESPONSIBLE FOR COMPLIANCE WITH ALL FEDERAL, STATE AND LOCAL LAWS, RULES, AND REGULATIONS.
- SYSTEM WAS DESIGNED TO BE USED WITHOUT PLATES EXTENDING BELOW, ABOVE, OR NEXT TO IT. ANY USE OF SUCH PLATES WILL VOID THE TABULATED DATA AND REQUIRE SITE SPECIFIC ENGINEERING PREPARED BY A LICENSED PROFESSIONAL ENGINEER.
- A SHORTER PANEL CAN BE SUBSTITUTED AT ANY BAY LOCATION WITH NO PENALTY IN DEPTH. (WALER LENGTHS MUST BE REDUCED BY THE CHANGE IN PANEL LENGTH)
- SYSTEM MAY BE SLOPED OR BENCHED AT TOP ACCORDING TO OSHA GUIDELINES TO OBTAIN GREATER DEPTHS WITH LESS SYSTEM AS LONG AS THE MAXIMUM TOTAL DEPTH RATING FOR THE SYSTEM IS NOT EXCEEDED.
- W24X162 WALER BEAMS SHALL BE SUPPLIED BY EFFICIENCY PRODUCTION INC. ALL HARWARE MUST BE INSTALLED, AND TORQUED TO SPECIFICATION.
- THE DIFFERENCE BETWEEN THE INNER, AND OUTER WALER LENGTH IS ACCOMPLISHED BY USING 2 - 46" MAKE UP EXTENSIONS AT EACH OUTSIDE CORNER.