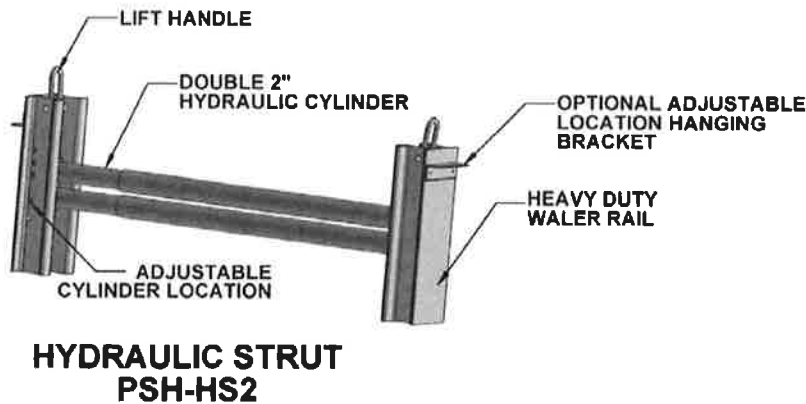
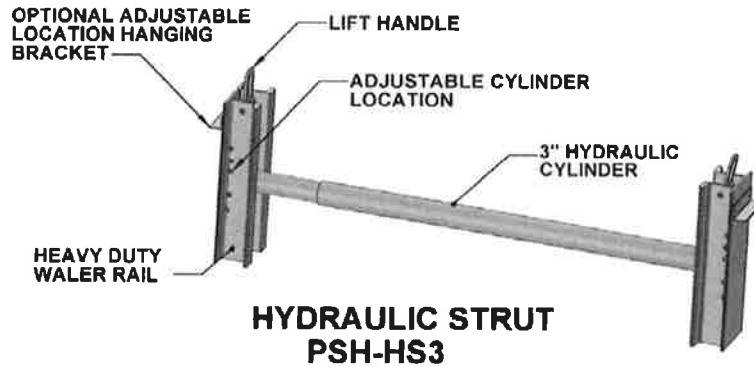


HYDRAULIC STRUT

TABULATED DATA
Effective February 2015



Contents

Description	2
General Information for use of Pacific Shoring 3” Hydraulic Strut	2
Classification of Soil Types	3
Hydraulic Strut Allowable Loading	4
Vertical Hydraulic Shore Selection Guide.....	5
Typical Hydraulic Strut Applications	7

Description

The Pacific Shoring Hydraulic Strut is a 3” aluminum hydraulic cylinder mounted on 18” to 24” long heavy-duty waler rails. The assembly also has an optional angle bracket so that the strut can be set on a wale and position the cylinder at the wale web. Lift brackets are attached to the assembly for the purpose of setting the strut and providing vertical safety support so that the strut cannot fall into the excavation. The waler rail has hole positions that allow the cylinder to be centered on different depth steel wales such as HP14”, HP12”, W12” and W14” beams. Strutting should be centered on wale webs so as to prevent development of eccentric moments in addition to the axial forces that the strut delivers to the wale.

This Hydraulic Strut is generally used on waled excavation support systems, and directly on piles in pile and plate shoring systems. The Pacific Shoring Hydraulic Strut can be used in any situation where hydraulic force is needed provided it is safely secured from kickout. In all situations, a competent person should determine that the strut is properly set and fixed into position.

General Information for use of Pacific Shoring 3” Hydraulic Strut

1. The Pacific Shoring Hydraulic Strut tabulated here is based on requirements of Federal OSHA 29CFR, Part 1926, Subpart P-Excavations and Trenches

1926.652(c)(2)-Option (2) - Designs Using Manufacturer's Tabulated Data.
1926.652(c)(2)(i) -Design of support systems, shield systems, or other protective systems that are drawn from manufacturer's tabulated data shall be in accordance with all specifications, recommendations, and limitations issued or made by the manufacturer.

All provisions of Subpart P apply when utilizing this tabulated data. The contractor’s competent person shall use this data to select allowable loading, allowable trench width and strut configuration. The competent person utilizing this tabulated data shall be experienced and knowledgeable of all requirements of Subpart P, and trained in the use and safety procedures for shoring applications.

2. Strut loading shall be determined by an engineer using acceptable excavation support design principals or a competent person that has determined the soil type and condition in accordance with OSHA Appendix A, Soil Classification. Classification shall be just prior to installing the strut. Soil conditions may change at a later date and require reevaluation of the strength and allowable depth.

3. After strut loads are determined, the engineer or competent person shall decide how to install the hydraulic shore so that the tabulated loads and trench widths for the strut are not exceeded.
4. The depth and spacing given in **Table 1** governs the use of Pacific Shoring Hydraulic Struts and not tabulations given by other manufacturers. This Tabulated data applies exclusively to Hydraulic Struts manufactured by Pacific Shoring LLC. Any alterations to the Hydraulic Struts or variance from this tabulated data shall be indicated in a site-specific plan prepared and approved by a registered engineer.
5. When used in excavations the faces of excavations shall be vertical so that the shoring piles and wales are vertical and horizontal to the strut.
6. Pacific Shoring Hydraulic Struts may be used in any situation where axial load strutting is needed. The strut shall be securely attached with the bearing surface of the strut in the same plane as the bearing surface it is being attached to.
7. The strut shall always be secured so that it cannot fall down vertically due to gravity forces. In addition to the angle bracket hanger, a secondary tie off cable or chain shall be used to prevent it from falling on workers below.

Classification of Soil Types

1. Soil classification shall be in accordance with OSHA Appendix A and classified just prior to installing hydraulic shores. Soil conditions may change at a later date and require hydraulic vertical shores to be reset at a different spacing.
2. The equivalent weight of OSHA soil types* is assumed to be as follows:
 - OSHA Type "A" Soil 25 PSF per ft of depth
 - OSHA Type "B" Soil 45 PSF per ft of depth
 - Type "C-60" Soil 60 PSF per ft of depth**
 - OSHA Type "C" Soil 80 PSF per ft of depth

* These equivalent weights were adapted from OSHA 1926 Subpart P App C, Timber Shoring for Trenches, Tables C-1.1, C-1.2, and C-1.3

** Type C-60 soil is not identified or classified in OSHA Appendix A3. Type C-60 soil is soil that does not qualify as OSHA Type A, or Type B, can be cut with vertical walls and will stand up long enough to safely insert and pressurize the hydraulic shore.

Hydraulic Strut Allowable Loading

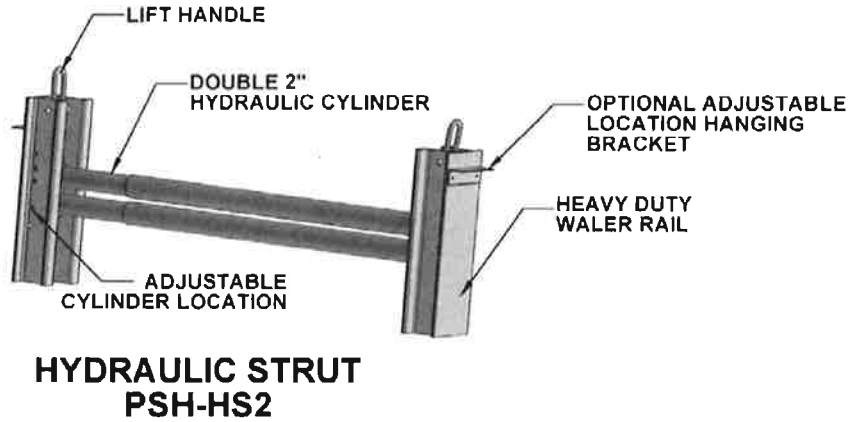
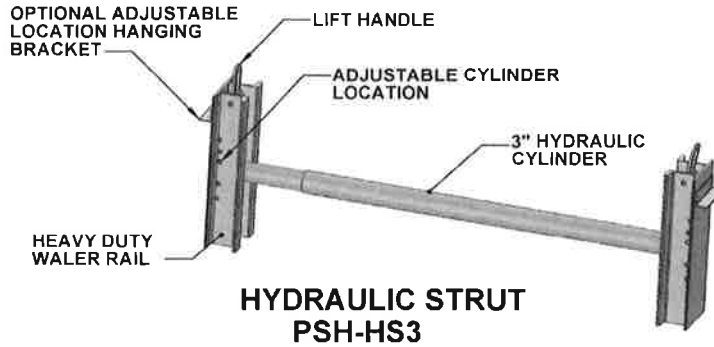


Table 1-ALLOWABLE LOADS FOR HYDRAULIC STRUT					
Model	Allowable Load (lbs)				
PSH-HS-3	3" cylinder				
	Oversleeve	Extension Range (ft)			
		8	12	15	18
	4" round x 0.188 aluminum oversleeve	40000	26000	20000	12000
	4" square x 0.188 aluminum oversleeve	40000	30000	22000	13000
4" square x 0.188 steel oversleeve	40000	40000	40000	30000	
PSH-HS-2	Double 2" Cylinder				
	Oversleeve	Extension Range (ft)			
		8	12	15	18
	3" round x 0.188 aluminum oversleeve	40000	24000	12000	8000
	3" square x 0.188 aluminum oversleeve	40000	40000	20000	10000
3" square x 0.188 steel oversleeve	40000	40000	30000	20000	
Rails	Heavy Duty Wale Rail 18" long				

Vertical Hydraulic Shore Selection Guide

Table 1 Vertical Hydraulic Shore Selection Guide ⁽¹⁾						
Depth of Trench (ft)	Hydraulic Cylinder Requirements					Sheeting
	Maximum Horizontal Spacing (ft)	Maximum Vertical Cylinder Spacing (ft)	Cylinder Size Width of Excavation (ft)			
			to 8	8 to 12	12 to 15	
TYPE "A" Soil						
to 10'	8'	4'	2"	2"	2"+OS2	NOTE 2 ↓
10' to 15'	↓	↓	↓	2"	2"+OS2	
15' to 20'				2"+OS1	2"+OS2	
20' to 25'				2"+OS1	2"+OS2	
TYPE "B" Soil						
to 10'	8'	4'	2"	2"	2"+OS2	NOTE 2
10' to 15'	7'	↓		2"	2"+OS2	
15' to 20'	6'			2"+OS1	2"+OS2	NOTE 3, 4
20' to 25'	5'	↓		2"+OS1	2"+OS2	
TYPE "C-60" Soil						
to 10'	6'	4'	2"	2"	2"+OS2	NOTE 3 ↓
10' to 15'	5'	↓	↓	2"	2"+OS2	
15' to 20'	4'			2"+OS1	2"+OS2	NOTE 3, 4
20' to 25'	3'	↓	↓	2"+OS1	2"+OS2	
OS1 = 3"X3/16" Wall Aluminum Oversleeve OS2 = 3.5"x3.5"x3/16" Wall Steel Oversleeve						

Notes

- Soil shall first be classified in accordance with OSHA Appendix A Soil Classification for use with this selection guide. Type C-60 soil is OSHA Appendix A Type C soil that will stand up long enough to install the hydraulic shores.
- Sheeting is required at any depth whenever sloughing or raveling occur. If sloughing or raveling occurs between sheeting, decrease spacing until it is prevented. See **Table 2** for allowable sheeting. Sheetting may be attached to jack or set into trench separately.
- Sheetting is required at this depth.

Table 2-ALLOWABLE SHEETING					
Plywood		Other Materials			
3/4" Finn Form		1/2" thick steel plate 4 ft wide x depth Steel sheet piling Aluminum sheet piling Buildable: box panels			
3/4" Omni Form					
3/4" plyform, Class 1 Exterior					
3/4" HDO, High Density Overlay					
3/4" HDO, High Density Overlay					
3/4" 14 Ply Artic White Birch					
1-1/8" CDX					
2 sheets of 3/4" CDX					
Timber Lagging Set Horizontal					
Thickness	Soil Type/Span				
	A			B	C-60
2"	4 ft				
3"	5 ft			4 ft	
4"	8 ft	6 ft	4 ft		
DF#2 or Oak					



4. Sheeting must extend to the bottom of the excavation.
5. This tabulation includes lateral loading from equipment weighing 20,000 lbs or less and a maximum 2 ft high spoil pile set back a minimum of 2 ft. The competent person shall determine the effect of all other surcharge loads and reduce hydraulic shore spacing as required to resist those loads.

Typical Hydraulic Strut Applications

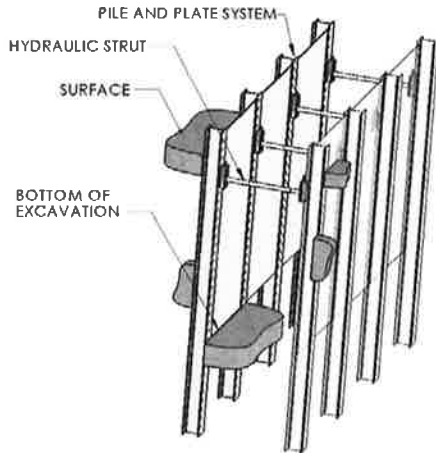


Figure 1 Pile and Plate System with Strutting at Piles

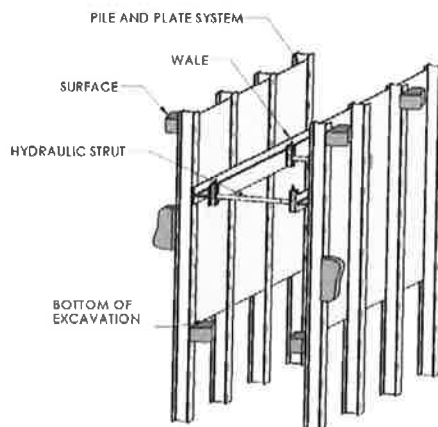


Figure 2 Pile and Plate with Wale and Strut



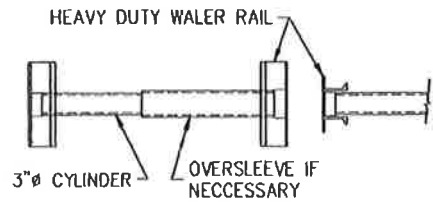
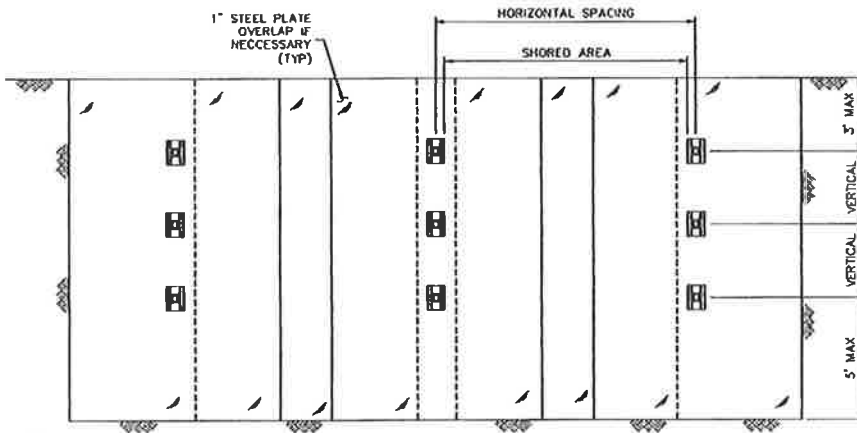
Figure 3 Waler Rail Systems

MANUFACTURERS TABULATED DATA SHEET

Single 3" Cylinder Hydraulic Strut

MAXIMUM CYLINDER SPACING (FEET)

Depth of Trench (ft)	TYPE A SOIL		TYPE B SOIL		TYPE C-60 SOIL	
	Horizontal	Vertical	Horizontal	Vertical	Horizontal	Vertical
10	10	10	10	10	8	8
15	10	10	8	8	6	6
20	8	8	6	6	6	6
25	8	8	6	6	-	-
Maximum Width of Trench (ft):	No Oversleeve		8			
	With Oversleeve		16			



Single 3" Cylinder Jack

NOTES:

- (a) Utilize 3-inch diameter hydraulic cylinders.
- (b) Sheeting shall consist of 1" steel plate, ASTM A36, Min. Fy = 36ksi.
- (c) Sheeting is required in all applications using this tabulated data.
- (d) Set sheeting and install shores prior to workers entering the trench.
- (e) Soil must be able to stand with unsupported vertical sidewalls, long enough for the shoring to be installed.
- (f) This tabulated data is adequate for normal surcharge loads such as HS20-44 traffic, a 3cy loader, and an excavator setback at 2 ft from the edge of the trench.
- (g) Use 4"x4"x3/16" tube steel oversleeves for trenches from 8 ft to 16 ft wide.
- (h) Workers shall work in shored areas between the shores only. In trenches over 10 ft deep and 10 ft long there shall be a minimum of two sets of plate shoring.
- (i) Contractor should have at least 2 shores in the vertical orientation.
- (j) End of the trench shall be shored or sloped out as required per OSHA.
- (k) Soils shall be classified per OSHA Subpart P.

Single 3" Cylinder Hydraulic Strut

J.M. TURNER ENGINEERING, INC.
CONSULTING ENGINEERS

1325 COLLEGE AVE., SANTA ROSA, CA. 95404
(707) 528-4503 FAX (707) 528-4505

Date 3/31/2015	Sheet 1 OF 1	Job No. 14295-1
-------------------	-----------------	--------------------