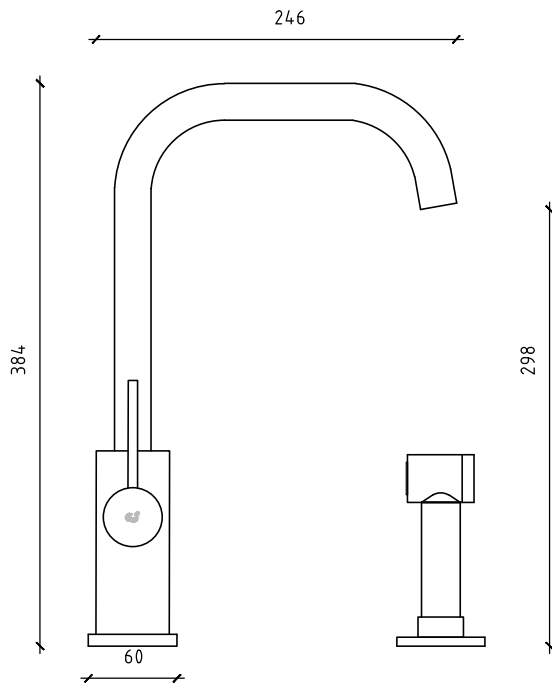
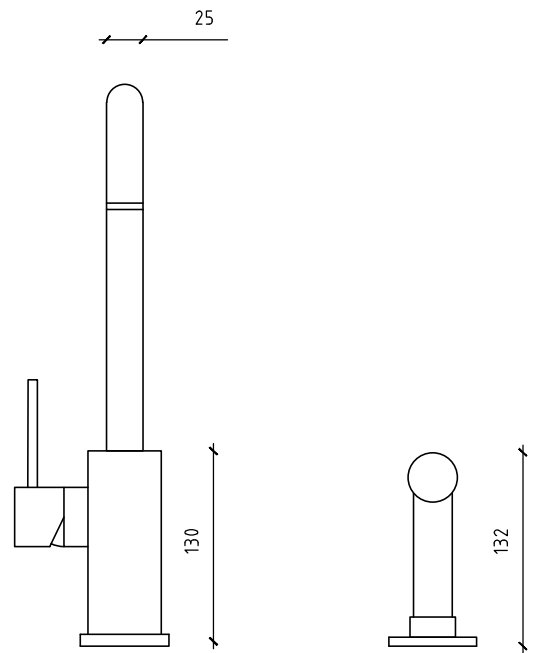


BRIGANTINO

LATERAL SPRAY



side elevation



front elevation

SPECIFICATION

Brand Name : a2f

Distributor Name : a2f australia

Model Name : Brigantino LS

Model ID : K121000101A0

Product Type : Mixing

Product Description : Single lever mixer with lateral hand spray

Application: Sink

Inlet: 1/2 flexible hoses 105W0031NN1

Outlet : Flow controlled aerator

Material : Stainless Steel

Flow Controller Designation: 42.2251.010

Water Shut Off Design : Ceramic disc cartridge

WELS: #1351 5.0L/min 5star

Watermark: #WMKA22215

Warranty: 5 Year guarantee on any manufacturing defects

CHECK LIST

1. Temperature of hot water inlet:
Recommended: 60 °C (140 °F) <>
Maximum: 75 °C (167 °F)
2. Water Pressure: Recommended: 3 bar (300kPa – 43.5 PSI) <> Range from min. 1 bar (100kPa – 14.5 PSI) to max. 5 bar (500kPa – 72.5 PSI)
3. Install upstream a pressure reducing valve (PRV) calibrated at 3/3.5 bar (300/350kPa) (Recommended)
4. Balancing the pressure of hot and cold water (Recommended)
5. Tap installation hole & lateral spray hole diameter: 35mm (1 3/8")
6. Maximum thickness of the work surface at the point of attachment 56 mm (2 7/32") with escutcheon mounted and 64 mm (2 17/32") without escutcheon mounted.