

FM / DAB Amplifier

*proFIL 1324 is intended to be used with passive, receive only antennas for FM radios and DAB receivers in poor reception conditions.*



proFIL 1324 is in-line low noise amplifier for passive FM and DAB antennas (80MHz – 240MHz). It has internal isolated power supply to power low noise amplifier. Amplifier has a gain of approx. 17dB.

The amplifier is powered through separate 9-36VDC power feed. The internal power supply/converter is fully galvanic isolated and this creates no risk to ground leaks. Antenna and receiver ports are DC floating from the body.

Connection example

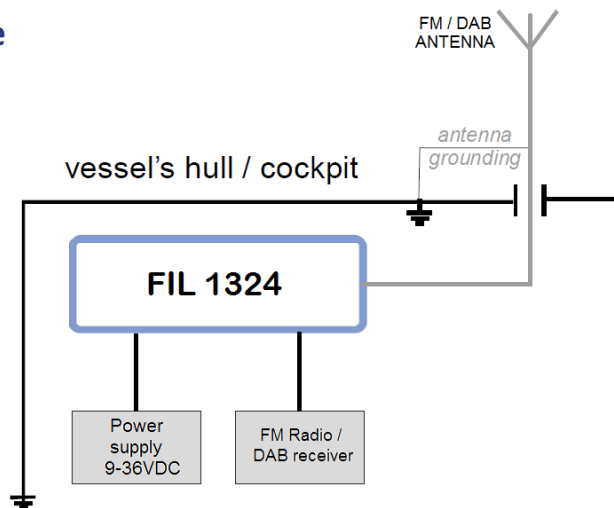


Table 1 Electrical Specifications

Electrical Specifications (TA=25°C)	proFIL 1324
Antenna Port	80 MHz – 230 MHz
Radio Ports	<b>RX 1:</b> 80 MHz – 230 MHz (amp: 17dB)
Operation	DAB+FM antenna amplifier with galvanic isolated low noise power supply.
Power Handling (max simultaneous)	0.1W
Port impedance	50 Ω
Connectors	<b>RX 1:</b> BNC-female <b>ANT:</b> BNC-female
Power input	9 – 36 VDC

Table 2 Mechanical Specification

Mechanical and Environmental properties (TA=25°C)	proFIL 1324
Dimensions	height: 30mm width: 119mm depth: 110mm
Weight	about 320g
Material	Aluminium body
Ingress protection	none
Mounting	wall mounting flanges with M4 holes