

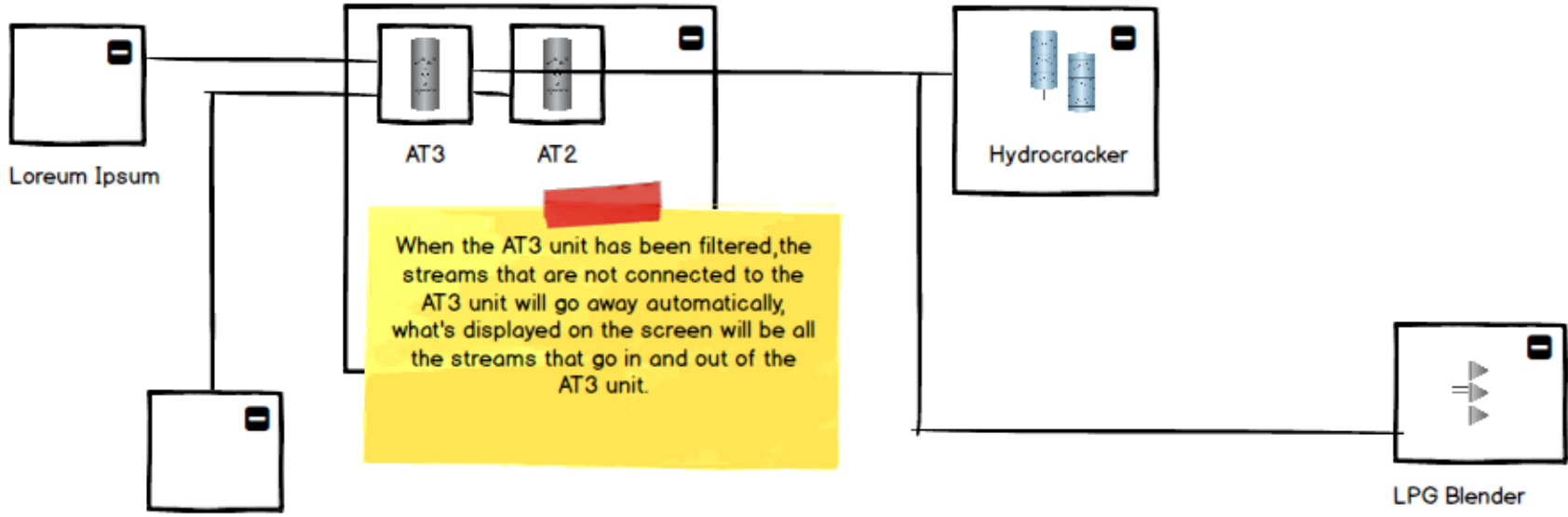
Aspen Search



Planning ▾ Flowsheet ▾

AT3 × Poly × Crude ×

Remove All Filters

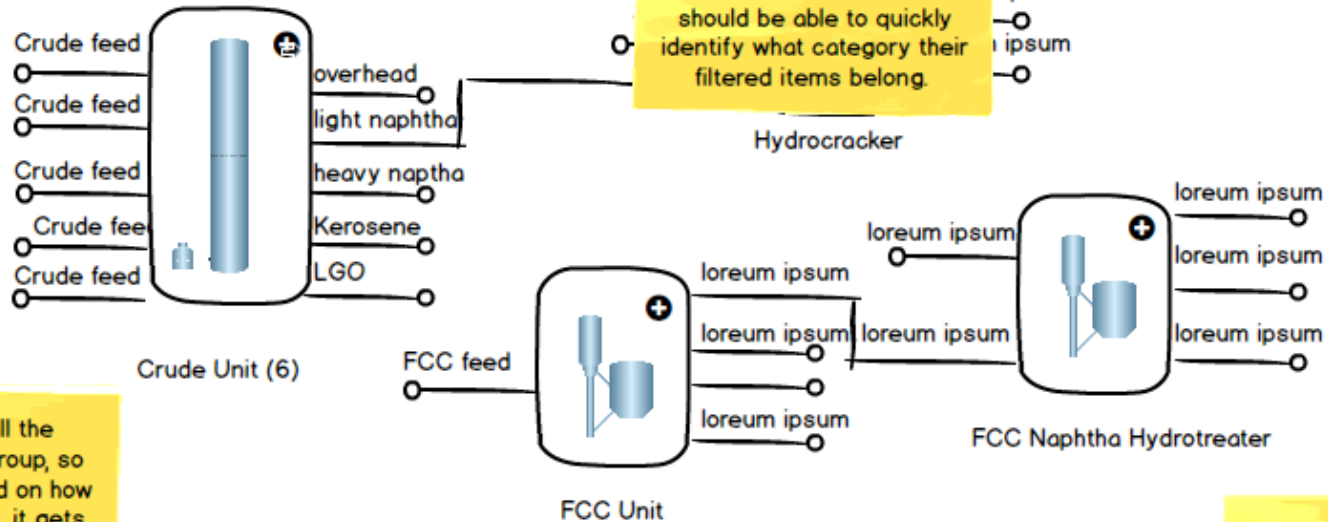


Templates Submodels RTMs Columns

VB NOSKR Coker HCR Ref Semi FCC Unit

Flowsheet

\$1,080,000



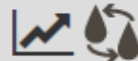
Material and equipment will use different icons. User should be able to quickly identify what category their filtered items belong.

The lollipop approach will show all the streams that go in and out of the group, so the size of the group is purely based on how many streams are going in and out, it gets taller if there are a lot of streams and will be relatively short when there's only a few streams. Each stream will have all the

User have the ability to make the group bigger, but there will be a fixed minimum size.

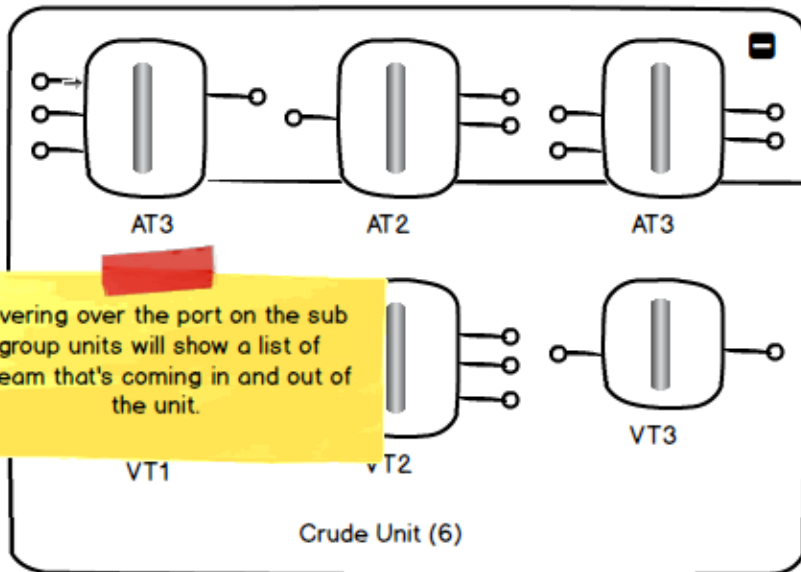
Equipment selection palette:

- VB NOSKR (Icon: Two horizontal vessels)
- Coker (Icon: Vertical vessel with a furnace base)
- HCR (Icon: Vertical vessel with a distillation tray)
- Ref Semi (Icon: Vertical vessel with a distillation tray)
- FCC Unit (Icon: Rectangular vessel)

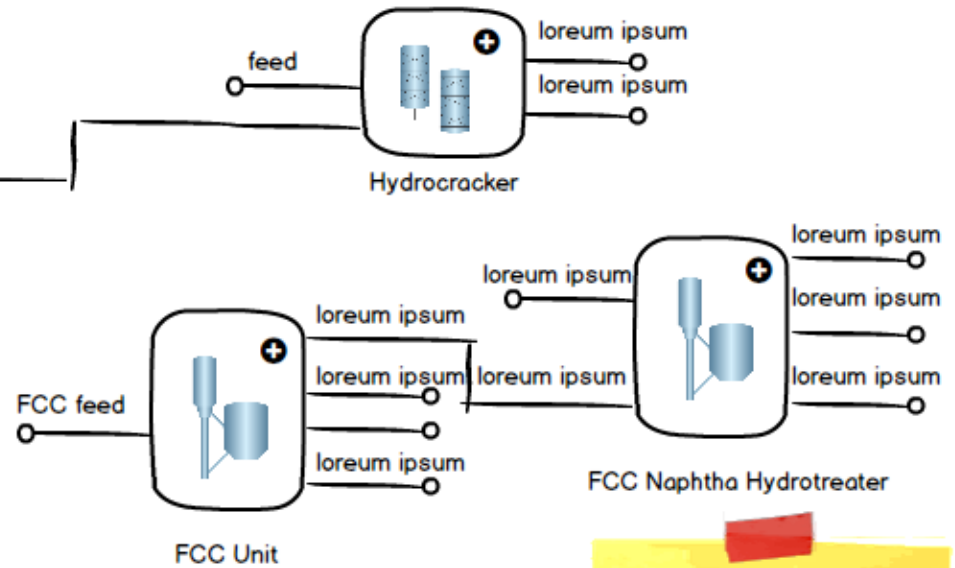


Planning ▾ Flowsheet ▾

FCC ×
 Poly ×
 Crude ×
Remove All Filters



Hovering over the port on the sub group units will show a list of stream that's coming in and out of the unit.



User have the ability to make the group bigger, but there will be a fixed minimum size.

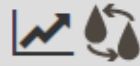
Templates Submodels RTMs Columns

VB NOSKR	Coker	HCR	Ref Semi	FCC Unit

Flowsheet

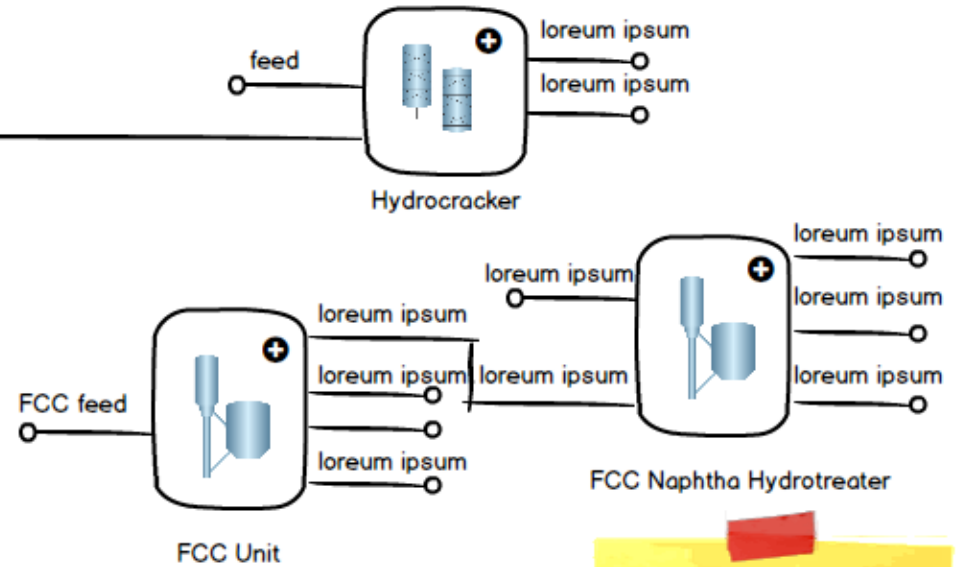
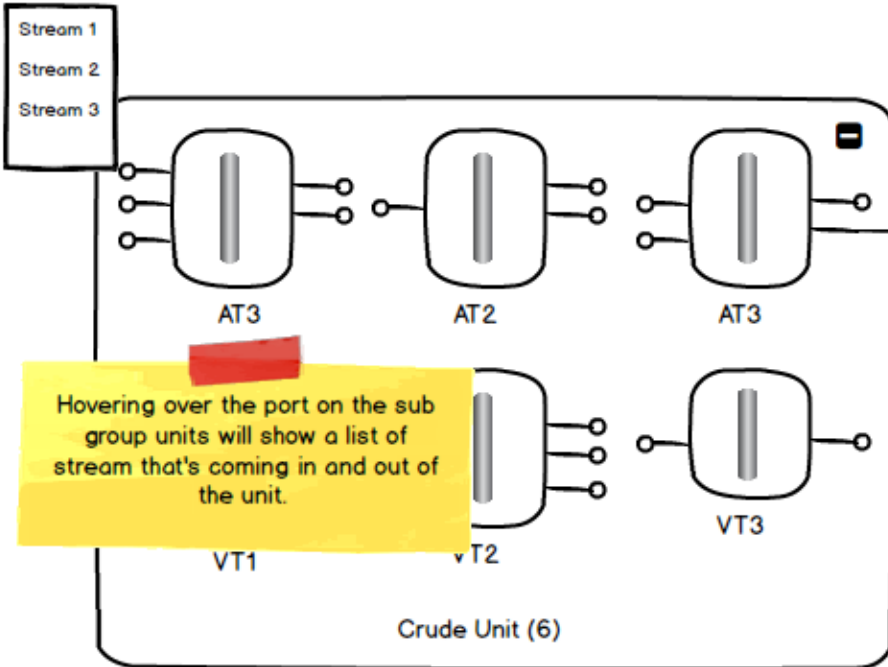
\$1,080,000

Aspen Search



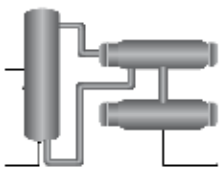
Planning ▾ Flowsheet ▾

FCC ×
 Poly ×
 Crude ×
Remove All Filters



User have the ability to make the group bigger, but there will be a fixed minimum size.

Templates Submodels RTMs Columns



VB NOSKR



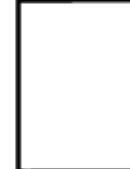
Coker



HCR



Ref Semi

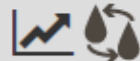


FCC Unit

Flowsheet

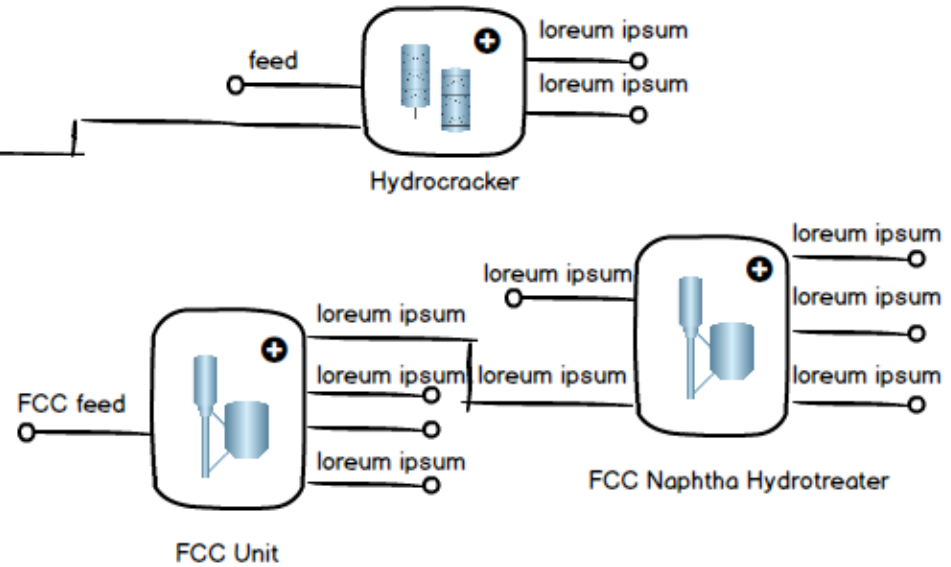
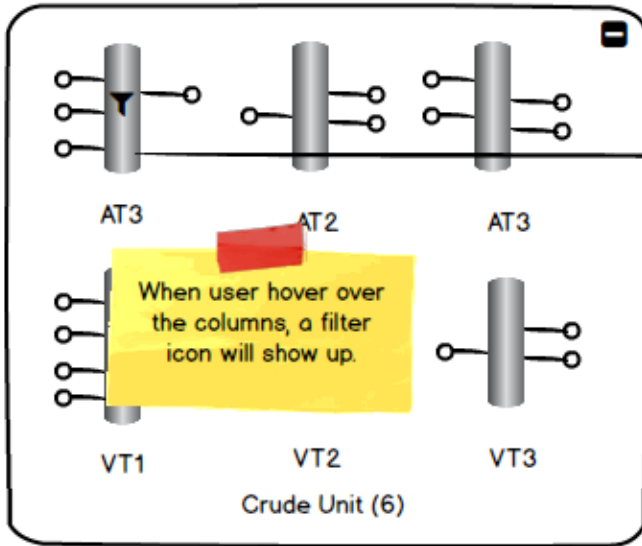
\$1,080,000

Aspen Search

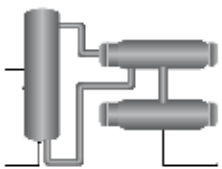


Planning ▾ Flowsheet ▾ ▼

FCC x Poly x Crude x Remove All Filters



Templates Submodels RTMs Columns



VB NOSKR



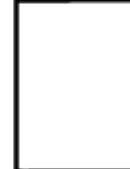
Coker



HCR



Ref Semi

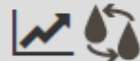


FCC Unit

Flowsheet

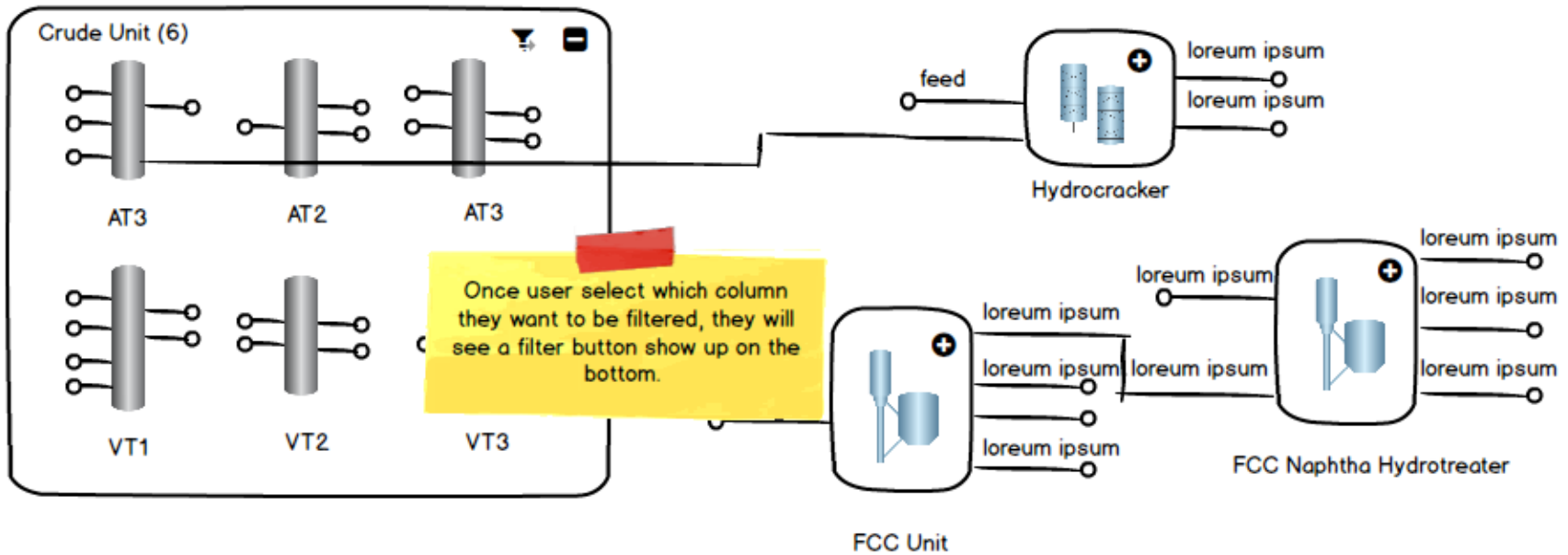
\$1,080,000

Aspen Search

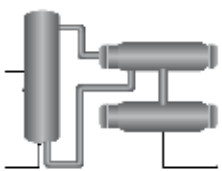


Planning ▾ Flowsheet ▾

FCC
 Poly
 Crude
 Remove All Filters



Templates Submodels RTMs Columns



VB NOSKR



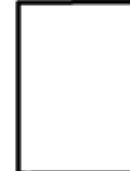
Coker



HCR



Ref Semi

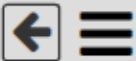


FCC Unit

Flowsheet

\$1,080,000

Aspen Search



Planning ▾ Flowsheet ▾

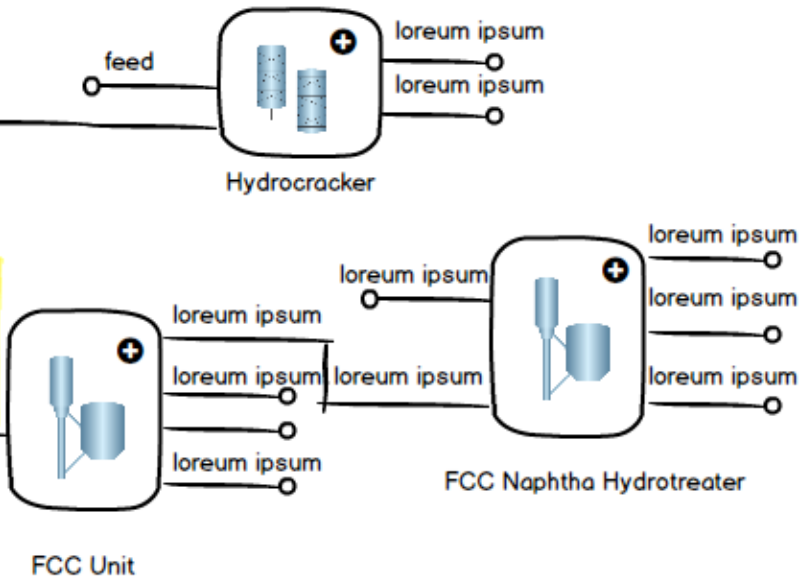
FCC ×
 Poly ×
 Crude ×
Remove All Filters

Crude Unit (6)

AT3 AT2 AT3
 VT1 VT2 VT3

Filter

Once user select which column they want to be filtered, they will see a filter button show up on the bottom.



Templates Submodels RTMs Columns

VB NOSKR	Coker	HCR	Ref Semi	FCC Unit	

Flowsheet

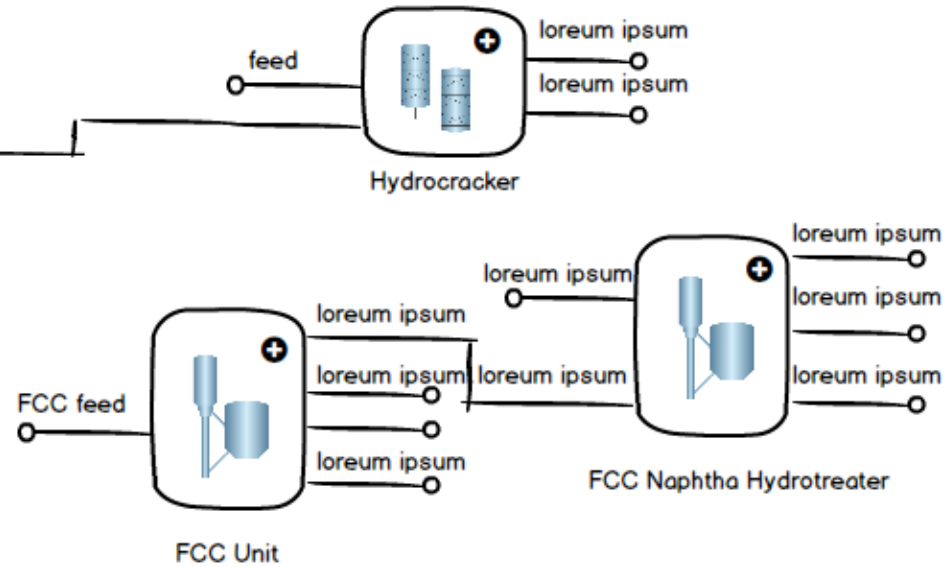
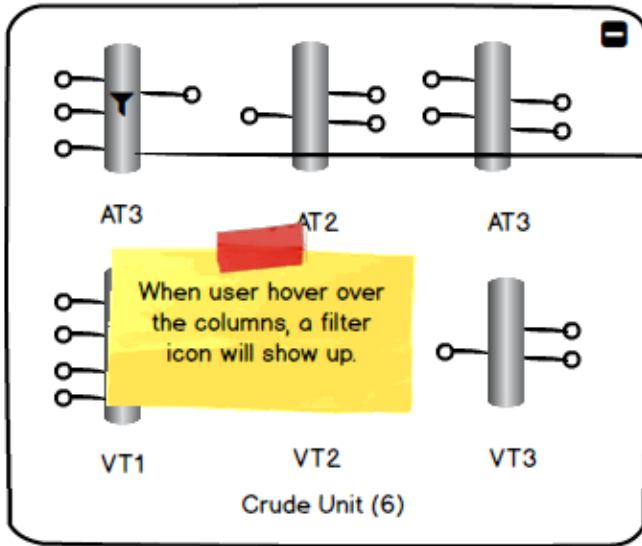
\$1,080,000

Aspen Search

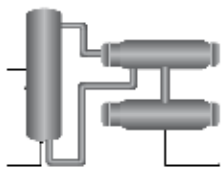


Planning ▾ Flowsheet ▾

FCC ×
 Poly ×
 Crude ×
Remove All Filters



Templates Submodels RTMs Columns



VB NOSKR



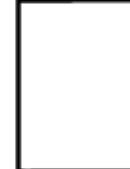
Coker



HCR



Ref Semi

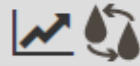


FCC Unit

Flowsheet

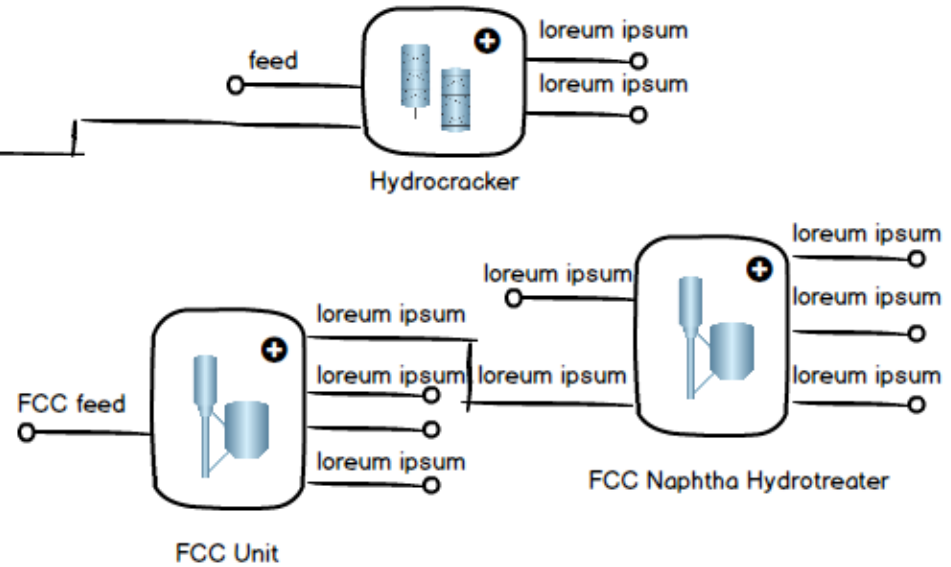
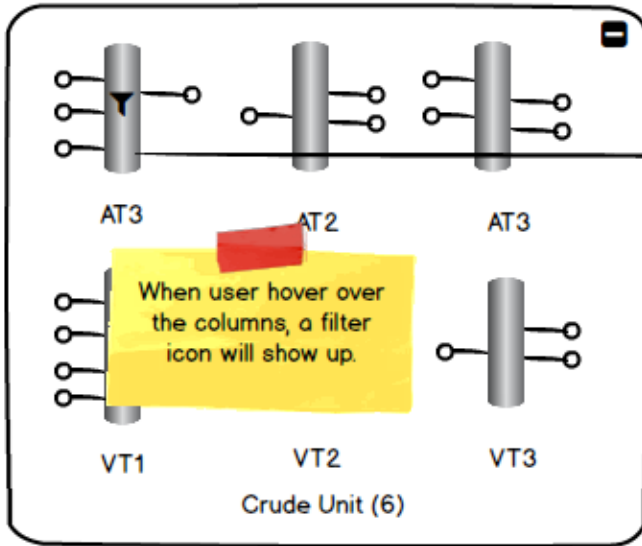
\$1,080,000

Aspen Search

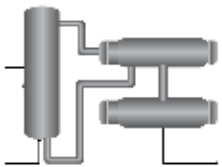


Planning ▾ Flowsheet ▾ Filter

FCC ×
 Poly ×
 Crude ×
Remove All Filters



Templates Submodels RTMs Columns



VB NOSKR



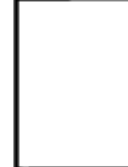
Coker



HCR



Ref Semi



FCC Unit

Flowsheet

\$1,080,000