

PENTA · Pendant + Chandelier

Sculptural silhouettes with strong geometric shape and graphic surface texture. The new “Penta” lighting is molded using a hand build steel mold fabricated in house.

HARDWARE COLOR—Gun black, brushed brass, or chrome

CONFIGURATION OPTIONS—Single pendant (5” canopy), 3 point cluster (14” canopy) or built custom by request

SOCKET—Medium Base (E26) 120V,

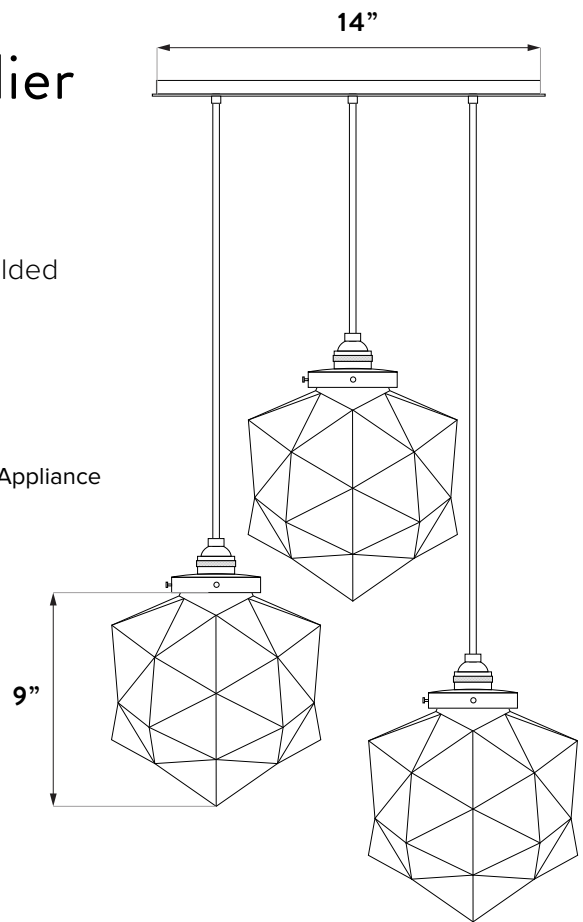
RECOMMENDED BULB—Edison LED T9 (170 Lumens) or Incandescent Appliance

BULB—A15 60W 120V, 650 Lumens

GLASS SIZE—12.5”h (w/ Hardware) X 9”w X 9”d

UL certified

GLASS COLOR—gray, clear, opaline white



www.vitreluxe.com
MADE BY HAND IN PORTLAND, OREGON
 All work designed and made by Lynn Everett Read