

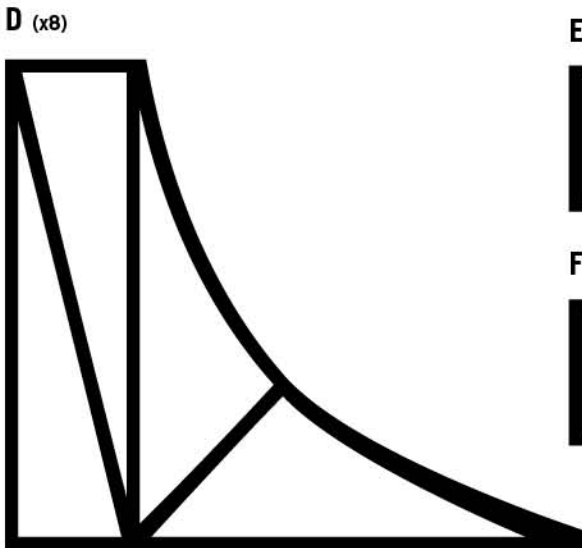
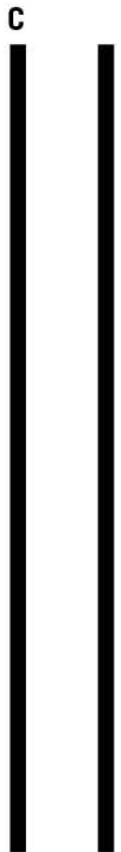
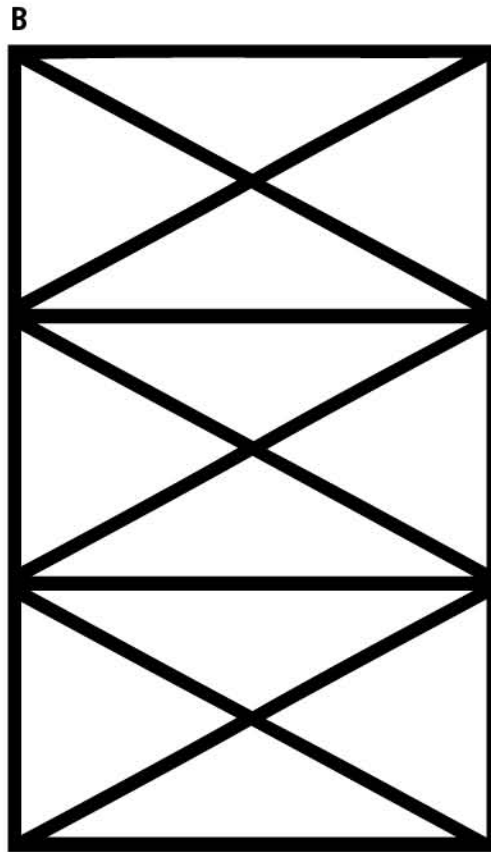
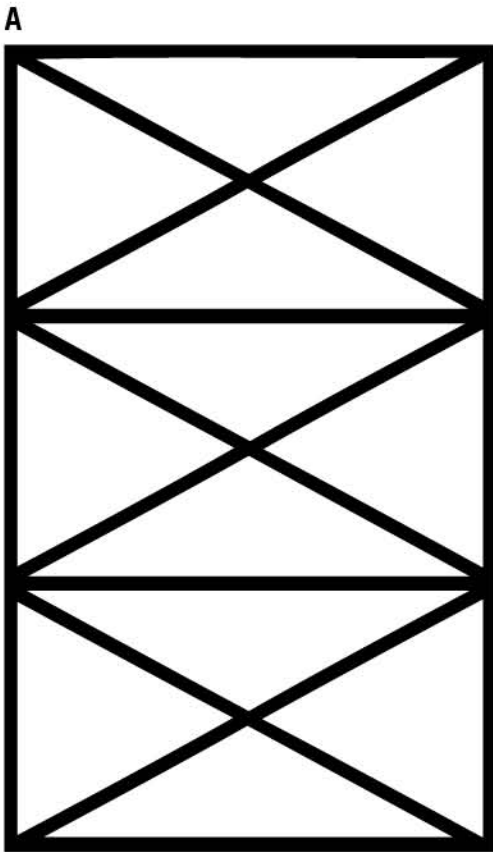
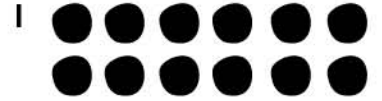


MAKE A SKATE RAMP AND SKATEBOARD

COPYRIGHT REDWOOD ADVENTURES LTD



1 PLACE CLEAR PLASTIC SHEET OVER TEMPLATES, TRACE AND HARDEN WITH THE SPOTLIGHT.

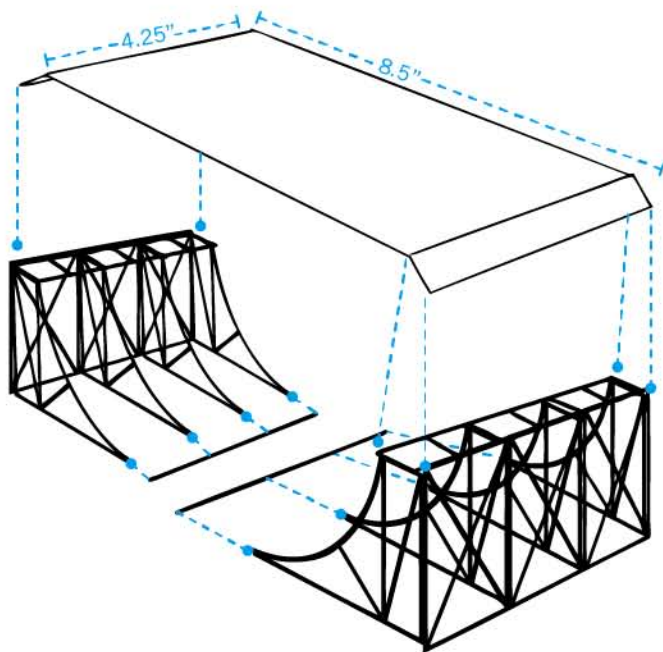
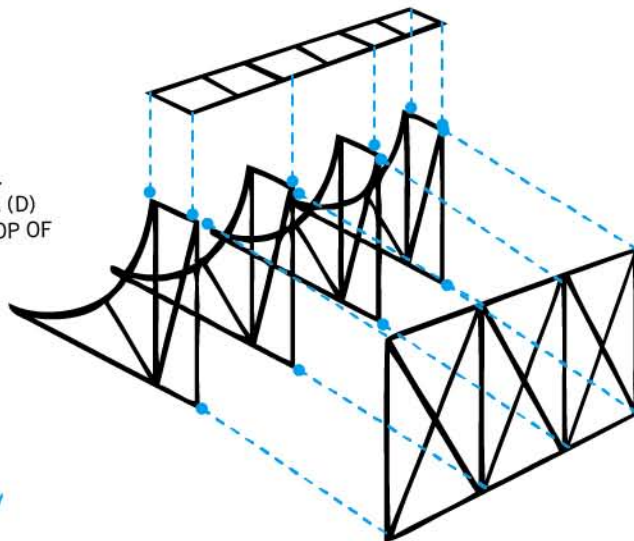


MAKE A SKATE RAMP AND SKATEBOARD

COPYRIGHT REDWOOD ADVENTURES LTD

2

BUILD THE 2 SIDES OF YOUR SKATE RAMP. START WITH (A & B) AND ATTACH 4 OF THE (D) RAMP PIECES. AND LASTLY ATTACH THE TOP OF THE RAMP (E & F).

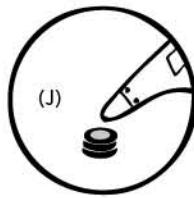
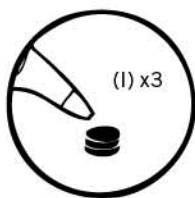


3

BUILD YOUR SKATE RAMP. TAKE YOUR TWO SIDES OF THE RAMP AND ATTACH THE BRACE BARS (C). FOR THE RAMP SURFACE/DECK, USE A STANDARD PIECE OF PAPER AND CUT IT IN HALF. CREASE .75" ON EACH END AND ATTACH TO TOP OF SKATE RAMP.

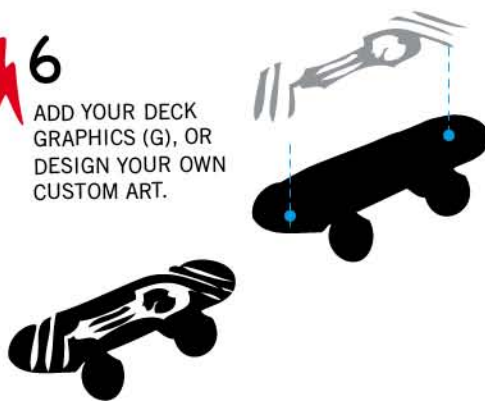
4

ASSEMBLE YOUR WHEELS. TAKE 3 OF (I) TO MAKE EACH WHEEL. ONCE YOU HAVE YOUR 4 WHEELS, ATTACH THE CENTERS (J).



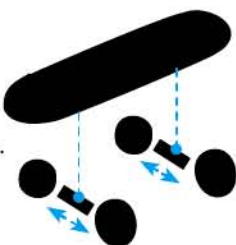
6

ADD YOUR DECK GRAPHICS (G), OR DESIGN YOUR OWN CUSTOM ART.



5

ATTACH WHEELS TO THE TRUCKS (K), THEN ATTACH TO BOTTOM OF DECK (H).



NICE WORK!

